






Isotop MSN/Z, MSN/Z-LC and SD/Z

Tension elements as ceiling hanger for building services equipment

- Natural frequency from 3.2Hz
- Load capacities of up to 420kg per spring (SD/Z)
- Secure connection between the plate and the spring thanks to special adhesive
- High level of corrosion protection
- M8 (MSN/Z and MSN/Z-LC) or M10 (SD/Z) internal thread
- Simple load control thanks to open design

		Maximum load		Natural frequency at maximum load	Packaging unit	Order number
		in kg	in N			
 MSN/Z	Isotop MSN/Z 1	3	29	3.5 Hz	50 pcs.	39538
	Isotop MSN/Z 2	5	49	3.5 Hz	50 pcs.	38850
	Isotop MSN/Z 3	9	88	3.5 Hz	50 pcs.	38851
	Isotop MSN/Z 4	14	137	3.5 Hz	50 pcs.	38643
	Isotop MSN/Z 5	23	226	3.5 Hz	50 pcs.	38644
	Isotop MSN/Z 6	35	343	3.5 Hz	50 pcs.	38852
	Isotop MSN/Z 7	53	519	3.5 Hz	50 pcs.	38853
	Isotop MSN/Z 8	90	883	3.5 Hz	50 pcs.	39539
 MSN/Z-LC	Isotop MSN/Z-LC 1	3	29	3.5 Hz	50 pcs.	39540
	Isotop MSN/Z-LC 2	5	49	3.5 Hz	50 pcs.	39541
	Isotop MSN/Z-LC 3	9	88	3.5 Hz	50 pcs.	39542
	Isotop MSN/Z-LC 4	14	137	3.5 Hz	50 pcs.	39543
	Isotop MSN/Z-LC 5	23	226	3.5 Hz	50 pcs.	39544
	Isotop MSN/Z-LC 6	35	343	3.5 Hz	50 pcs.	38548
	Isotop MSN/Z-LC 7	53	519	3.5 Hz	50 pcs.	39545
	Isotop MSN/Z-LC 8	90	883	3.5 Hz	50 pcs.	39546
 SD/Z	Isotop SD/Z 1	20	196	3.2 Hz	10 pcs.	39547
	Isotop SD/Z 2	33	324	3.2 Hz	10 pcs.	39548
	Isotop SD/Z 3	52	510	3.2 Hz	10 pcs.	39549
	Isotop SD/Z 4	82	804	3.2 Hz	10 pcs.	39550
	Isotop SD/Z 5	123	1,206	3.2 Hz	10 pcs.	39551
	Isotop SD/Z 6	195	1,913	3.2 Hz	10 pcs.	39552
	Isotop SD/Z 7	310	3,041	3.2 Hz	10 pcs.	39553
	Isotop SD/Z 8	420	4,120	3.2 Hz	OR	OR

MSN/Z-LC: Not held in stock. Delivery time on request (approx. 15 working days from the factory)
 OR ... On request

The Isotop SD/Z and MSN/Z ceiling hangers are only suitable for use as pipe suspension or for fans in technical building services. This means for water, waste water, water heating systems and ventilation duct construction.

For pipes in industrial production processes that are subject to the requirements of EN 13480 or similar national standards regarding pressure equipment, these ceiling hangers are not suitable, as the maximum deflection is limited (see graph).



Pipework suspension with Isotop SD/Z

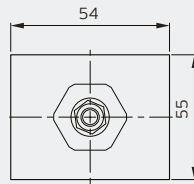
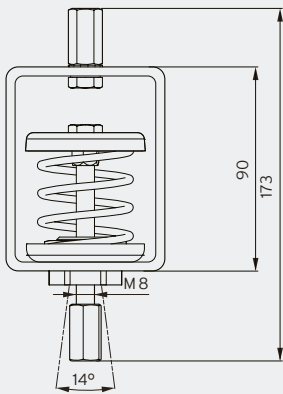


Decoupled pipes with Isotop SD/Z

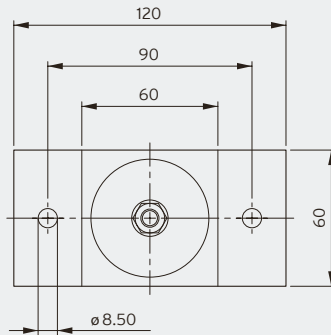
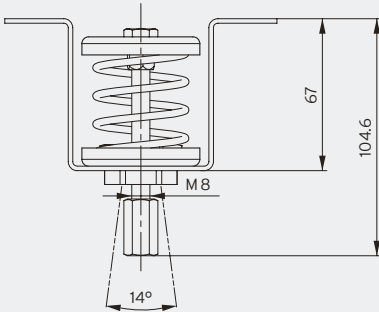


Ceiling hanger Isotop MSN/Z-LC

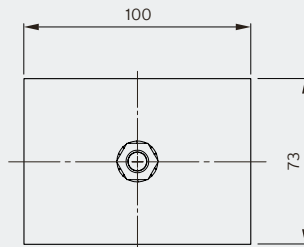
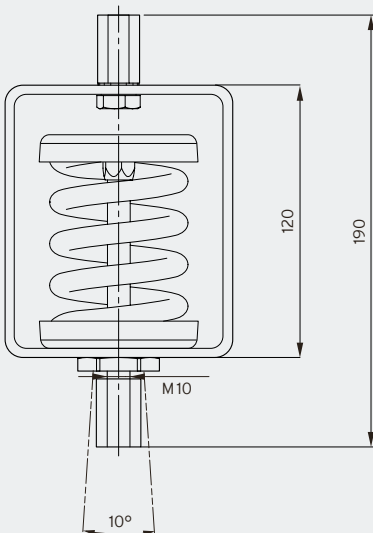
MSN/Z (unloaded)



MSN/Z-LC (unloaded)



SD/Z (unloaded)



DB Isotop en © Copyright by Getzner Werkstoffe GmbH | 02-2022 | All information and data is based on our current knowledge. It can be used in calculations and for reference purposes, but is subject to product-specific and application-specific manufacturing tolerances and does not represent warranted properties. Material properties and their tolerances vary depending on the type of application and load and are available from Getzner on request. Subject to change without notice. For further general information, see VDI directive 2062 and glossary. Further characteristic values available on request.