




Isotop MSN-BL

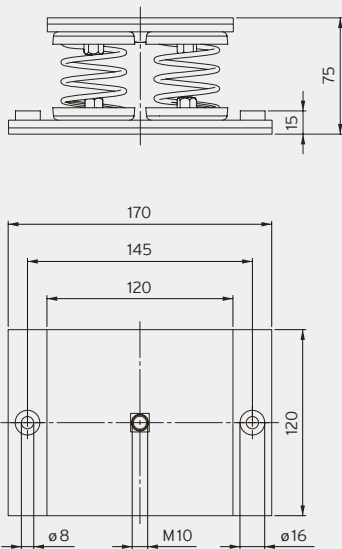
MSN steel spring block element
for low installation heights and high loads

- Natural frequency from 3.5Hz
- Low overall height of 75 mm
- High load capacity of up to 800 kg per element
- 5 mm top plate and base plate fitted with 4 mm Sylomer[®] anti-slip plate
- CDC coating of springs and powder coating of pressure plates for outstanding corrosion protection
- Secure connection between the plate and the spring thanks to special adhesive
- Top plate with M10 thread
- Simple load control thanks to open design

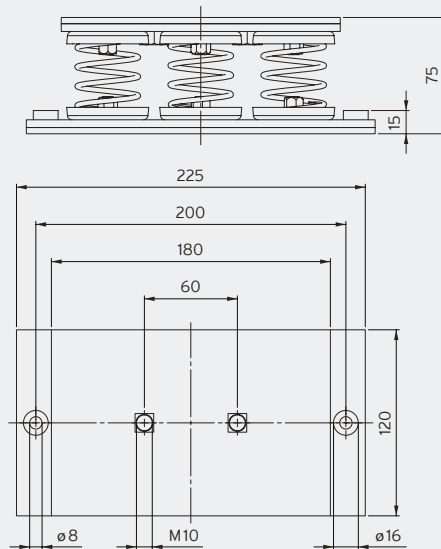
MSN-BL		Maximum load		Natural frequency at maximum load	Packaging unit	Order number
		in kg	in N			
	Isotop MSN-BL4-52/62	117	1,147	3.5 Hz	4 pcs.	47289
	Isotop MSN-BL4-74/80	212	2,079	3.5 Hz	4 pcs.	47293
	Isotop MSN-BL4-70/84	360	3,531	3.5 Hz	4 pcs.	47292
	Isotop MSN-BL6-72/84	465	4,561	3.5 Hz	10 pcs.	47295
	Isotop MSN-BL6-70/86	535	5,248	3.5 Hz	10 pcs.	47294
	Isotop MSN-BL9-73/86	695	6,817	3.5 Hz	10 pcs.	47297
	Isotop MSN-BL9-70/89	800	7,848	3.5 Hz	10 pcs.	47296

Not held in stock. Delivery time on request (approx. 15 working days from the factory).

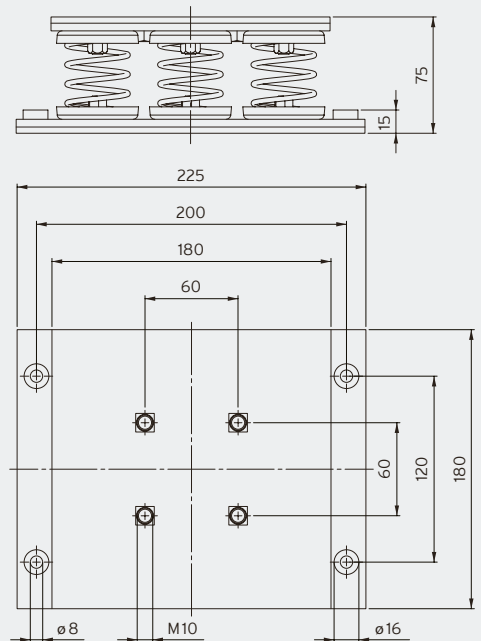
Isotop MSN-BL 4 (unloaded)



Isotop MSN-BL 6 (unloaded)



Isotop MSN-BL 9 (unloaded)

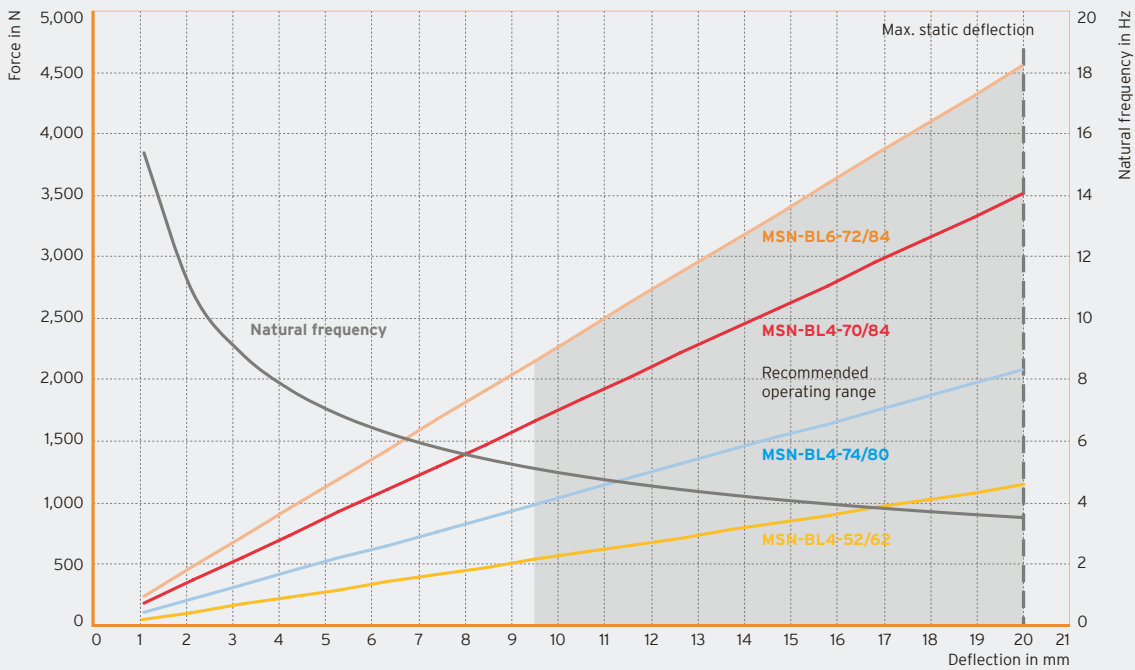


Customised block elements available on request

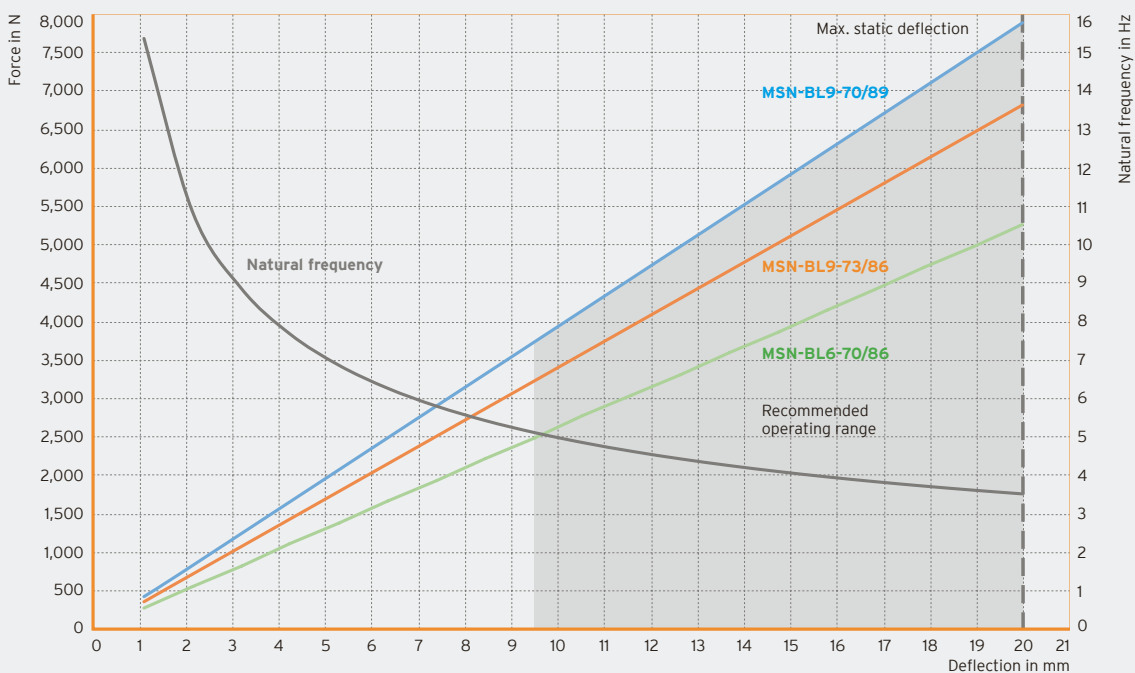


Bearing of duct silencer

Isotop MSN-BL4 and MSN-BL6



Isotop MSN-BL6 and MSN-BL9



DB Isotop en © Copyright by Getzner Werkstoffe GmbH | 02-2022 | All information and data is based on our current knowledge. It can be used in calculations and for reference purposes, but is subject to product-specific and application-specific manufacturing tolerances and does not represent warranted properties. Material properties and their tolerances vary depending on the type of application and load and are available from Getzner on request. Subject to change without notice. For further general information, see VDI directive 2062 and glossary. Further characteristic values available on request.