



Isotop ENI

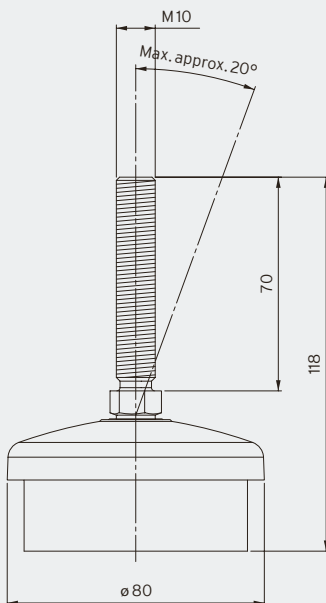
Structure-borne noise-insulated machine mountings with ball-and-socket joint

- Natural frequency from 10 Hz
- High load capacity of up to 285 kg per machine mounting
- 25 mm Sylomer[®] or Sylodyn[®] inside
- Integrated height adjustment
- Ball-and-socket joint to compensate for uneven floors and inclinations
- Galvanised thread and polyamide plastic plate for high corrosion resistance

		Material thickness	Maximum load in kg	Maximum load in N	Natural frequency at maximum load	Packaging unit	Order number
	Isotop ENI-60-25-80	M10	25 mm	61	598	10.7 Hz	50 pcs. 45150
	Isotop ENI-115-25-80	M10	25 mm	115	1,128	10.9 Hz	50 pcs. 45152
	Isotop ENI-175-25-80	M10	25 mm	176	1,726	10.8 Hz	50 pcs. 45154
	Isotop ENI-285-25-80	M10	25 mm	285	2,795	10.0 Hz	50 pcs. 45155

Additional thread and plate sizes available on request for purchase quantities of more than 200 pcs.

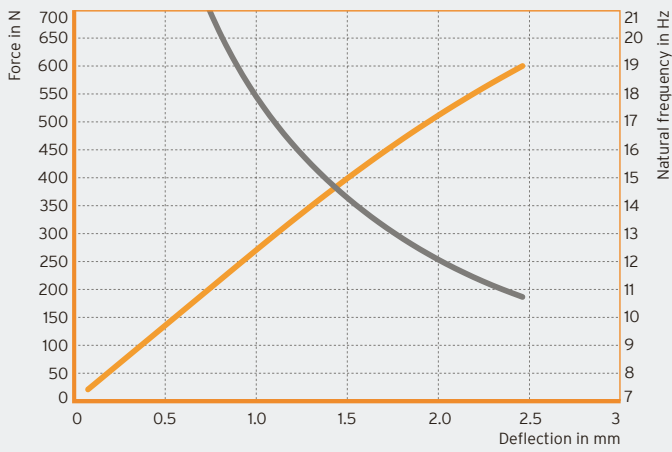
Isotop ENI-xx-25-80 (unloaded)



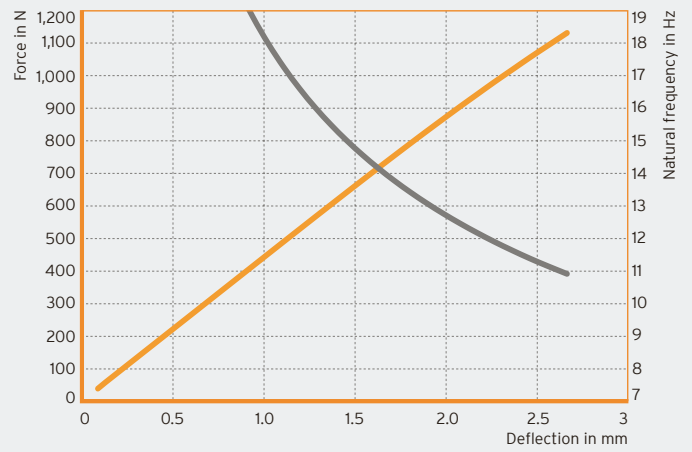


HVAC system installed in cellar

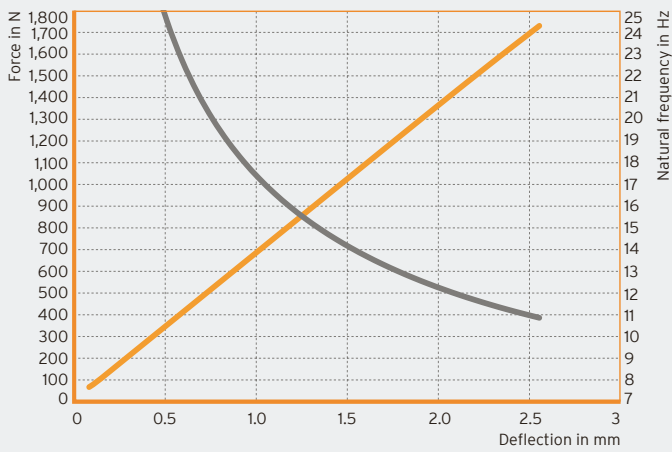
Isotop ENI 60-25-80



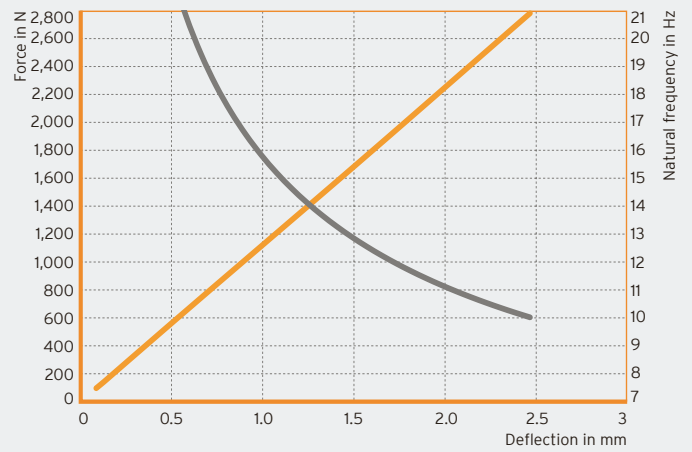
Isotop ENI 115-25-80



Isotop ENI 175-25-80



Isotop ENI 285-25-80



— Force in N
 — Natural frequency in Hz

DB Isotop en © Copyright by Getzner Werkstoffe GmbH | 02-2022 | All information and data is based on our current knowledge. It can be used in calculations and for reference purposes, but is subject to product-specific and application-specific manufacturing tolerances and does not represent warranted properties. Material properties and their tolerances vary depending on the type of application and load and are available from Getzner on request. Subject to change without notice. For further general information, see VDI directive 2062 and glossary. Further characteristic values available on request.