




Isotop® ENI

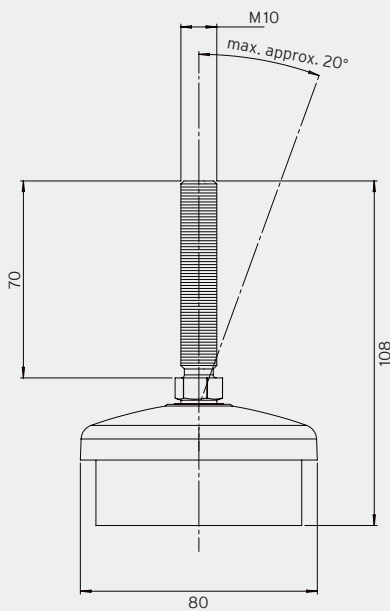
Structure-borne noise-insulated machine base with ball-and-socket joint

- Natural frequency from 10 Hz
- High load capacity of up to 285 kg per machine base
- Sylomer® or Sylodyn® inside
- Integrated height adjustment
- Ball-and-socket joint to compensate for uneven floors and sloping
- Galvanised thread and polyamide plastic plate for high corrosion resistance

		Material thickness	Maximum load in kg	Maximum load in N	Natural frequency at maximum load	Packaging unit	Order number
	Isotop® ENI-60-25-80	M10	25 mm	61	598	10.7 Hz	50 pcs. 45150
	Isotop® ENI-115-25-80	M10	25 mm	115	1,128	10.9 Hz	50 pcs. 45152
	Isotop® ENI-175-25-80	M10	25 mm	176	1,726	10.8 Hz	50 pcs. 45154
	Isotop® ENI-285-25-80	M10	25 mm	285	2,795	10.0 Hz	50 pcs. 45155

Additional thread and plate sizes available on request for purchase quantities of more than 200 pcs.

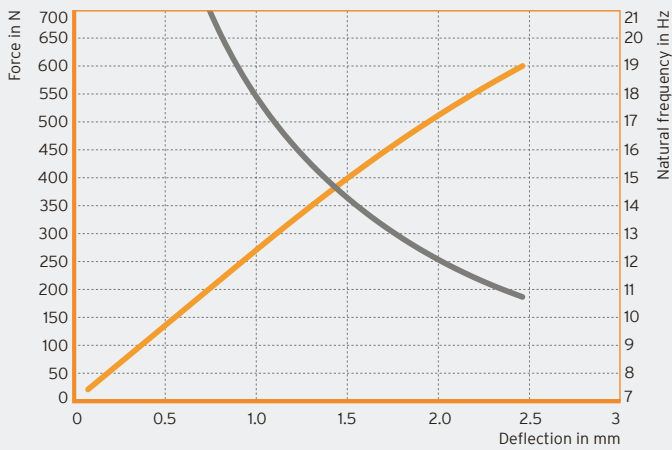
Isotop® ENI-xx-25-80 (unladen)



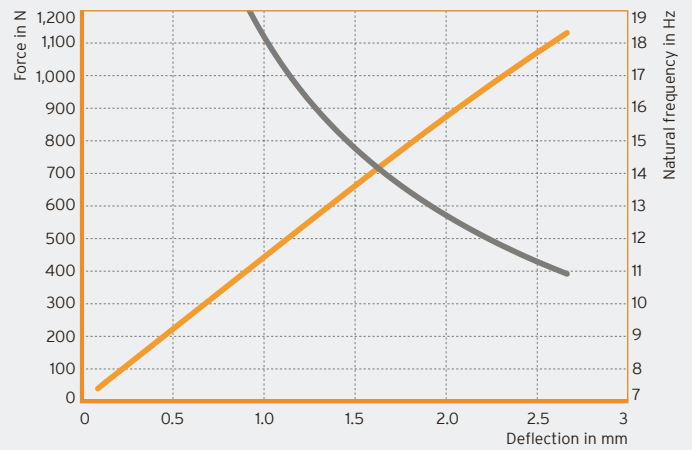


AC system installed in cellar

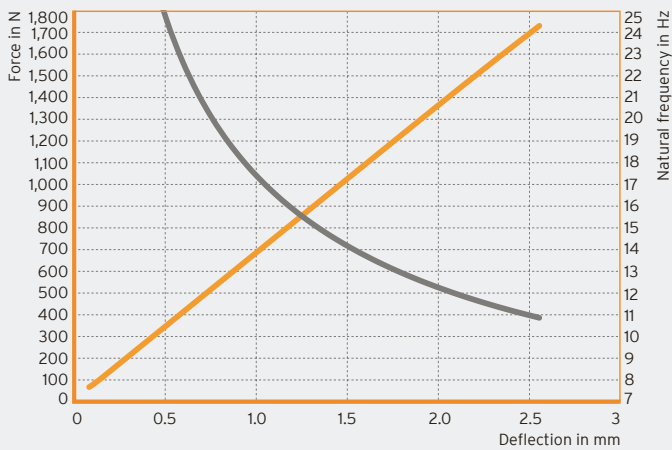
Isotop® ENI 60-25-80



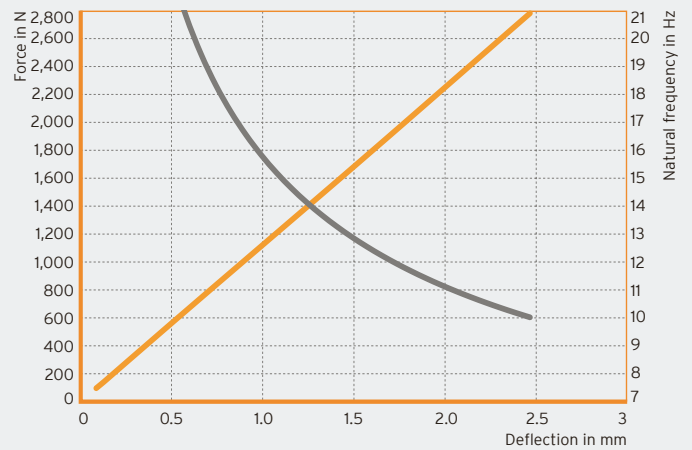
Isotop® ENI 115-25-80



Isotop® ENI 175-25-80



Isotop® ENI 285-25-80



— Force in N
 — Natural frequency in Hz

DB Isotop® en © Copyright by Getzner Werkstoffe GmbH | 05-2020 | All information and data is based on our current knowledge. The data can be applied for calculations and as guidelines, are subject to typical manufacturing tolerances and are not guaranteed. Material properties as well as their tolerances can vary depending on type of application or use and are available from Getzner on request. Further information can be found in VDI Guideline 2062 (Association of German Engineers) as well as in glossary. Further characteristic values on request.