

# Isotop DZE

## Pressure-tension element with high-performance damper

- Natural frequency from 7 Hz
- Resistant to compression and tension
- Reduces high amplitudes
- Can be used from an installation height of 49 mm (DZE Mini)
- Sylodyn® and Sylodamp® inside
- Load capacity of more than 4 t per element (DZE-BL)
- Stainless steel housing and continuous stainless steel piping for highest levels of corrosion protection
- Rapid installation thanks to pre-assembled elements

		Maximum load		Natural frequency at maximum load	Packaging unit	Order number
		in kg	in N			
	Isotop DZE Mini NB SP1	9	88	10.3 Hz	10 pcs.	<b>43799</b>
	Isotop DZE Mini NC SP1	17	167	10.7 Hz	10 pcs.	<b>43800</b>
	Isotop DZE Mini ND SP3	38	373	10.1 Hz	10 pcs.	<b>43801</b>
	Isotop DZE Mini NE SP3	75	735	10.3 Hz	10 pcs.	<b>43802</b>
	Isotop DZE Mini NF SP3	110	1,079	10.1 Hz	10 pcs.	<b>43803</b>
	Isotop DZE Mini HRB 3 SP3	230	2,256	11.6 Hz	10 pcs.	<b>43804</b>

			Maximum load		Natural frequency at maximum load	Packaging unit	Order number
			in kg	in N			
	Isotop DZE-1-NB-SP	Single layer	28	275	10.3 Hz	10 pcs.	<b>39614</b>
	Isotop DZE-1-NC-SP	Single layer	55	540	10.1 Hz	10 pcs.	<b>39615</b>
	Isotop DZE-1-ND-SP	Single layer	122	1,196	9.9 Hz	10 pcs.	<b>39616</b>
	Isotop DZE-1-NE-SP	Single layer	238	2,305	10.1 Hz	10 pcs.	<b>39617</b>
	Isotop DZE-1-HLL-SP5	Single layer	800	7,848	12.0 Hz	10 pcs.	<b>39618</b>
	Isotop DZE-1-HLH-SP5	Single layer	1,030	10,104	11.5 Hz	10 pcs.	<b>39619</b>
	Isotop DZE-2-NB-SP	Double layer	25	245	7.2 Hz	10 pcs.	<b>39442</b>
	Isotop DZE-2-NC-SP	Double layer	48	471	7.6 Hz	10 pcs.	<b>39620</b>
	Isotop DZE-2-ND-SP	Double layer	107	1,050	7.0 Hz	10 pcs.	<b>39621</b>
	Isotop DZE-2-NE-SP	Double layer	205	2,011	7.1 Hz	10 pcs.	<b>39622</b>
	Isotop DZE-2-HLL-SP5	Double layer	630	6,180	8.1 Hz	10 pcs.	<b>39623</b>
	Isotop DZE-2-HLH-SP5	Double layer	820	8,044	7.7 Hz	10 pcs.	<b>39624</b>

			Maximum load		Natural frequency at maximum load	Packaging unit	Order number
			in kg	in N			
	Isotop DZE-1-BL2-HLH-SP5	Single layer	2,065	20,258	11.5 Hz	10 pcs.	<b>42595</b>
	Isotop DZE-1-BL4-HLH-SP5	Single layer	4,135	40,564	11.5 Hz	10 pcs.	<b>42597</b>
	Isotop DZE-2-BL2-HLH-SP5	Double layer	1,635	16,039	7.7 Hz	10 pcs.	<b>42598</b>
	Isotop DZE-2-BL4-HLH-SP5	Double layer	3,270	32,079	7.7 Hz	10 pcs.	<b>42599</b>

DZE-BL: Not held in stock. Delivery time on request (approx. 15 working days from the factory)

### Tensile forces

Type	Maximum tensile force
Isotop DZE Mini NB and NC	0.3 kN
Isotop DZE Mini ND to HRB	1.1 kN
Isotop DZE-1 NB to NE	2.7 kN
Isotop DZE-1 HLL and HLH	4.0 kN
Isotop DZE-2 NB to NE	2.7 kN
Isotop DZE-2 HLL and HLH	4.0 kN
Isotop DZE-x-BL2-HLH	8.0 kN
Isotop DZE-x-BL4-HLH	16.0 kN

Note: Tensile forces correspond to the impact area of application of Sylodamp® (brief dynamic loads) according to the data sheet. The mechanical strength of the metal components is higher.

Isotop DZE Railway is also available especially for rolling stock!





Recooler with Isotop DZE versus high wind loads

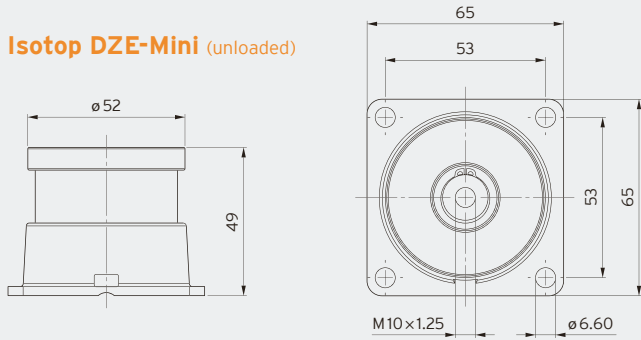


Bearing of a reciprocating compressor with Isotop DZE Mini



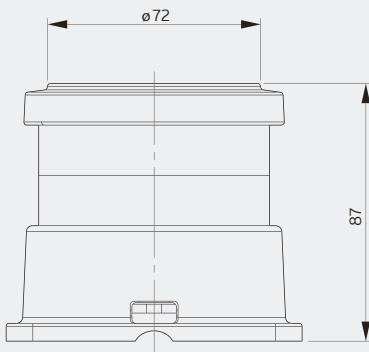
Pump with Isotop DZE to compensate for high dynamic operating forces

**Isotop DZE-Mini (unloaded)**

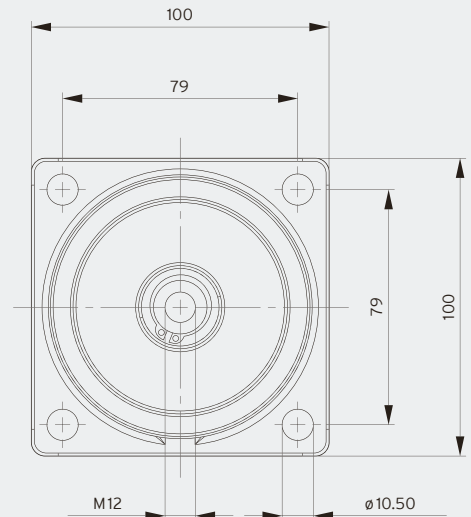
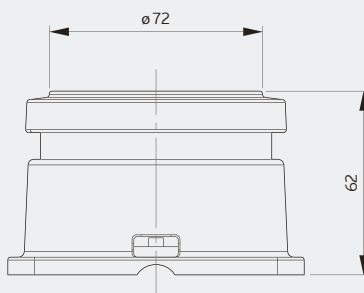


Please note: a 1.25 mm fine-pitch thread is required to make the connection

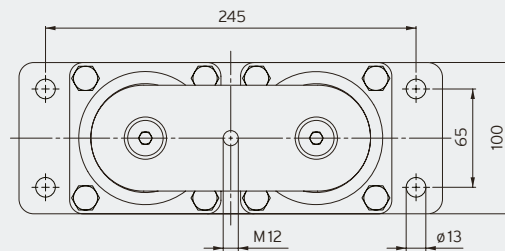
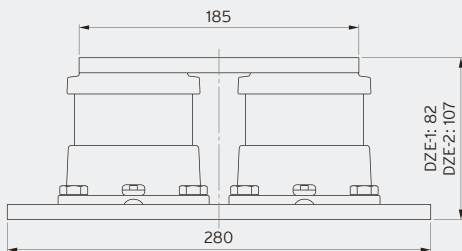
**Isotop DZE-2 (unloaded)**



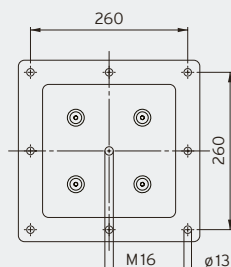
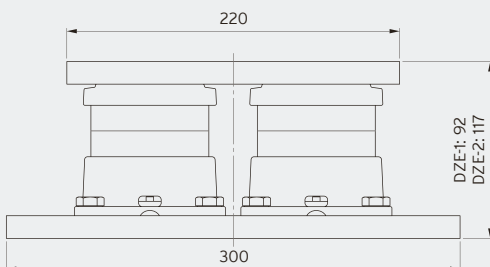
**Isotop DZE-1 (unloaded)**



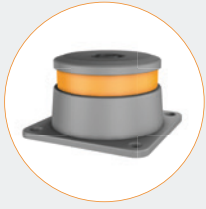
**Isotop DZE-x-BL 2 (unloaded)**



**Isotop DZE-x-BL 4 (unloaded)**

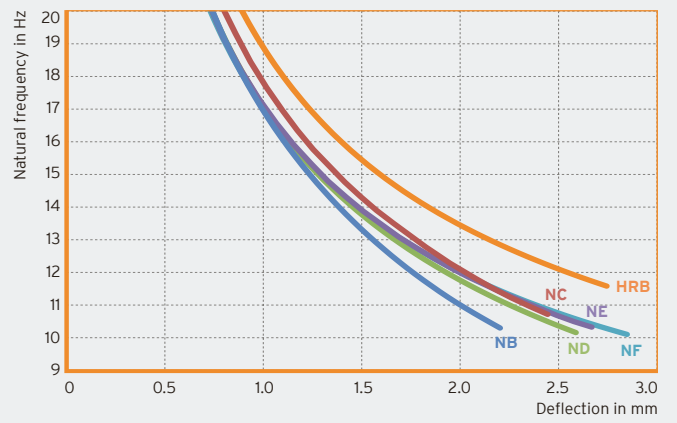
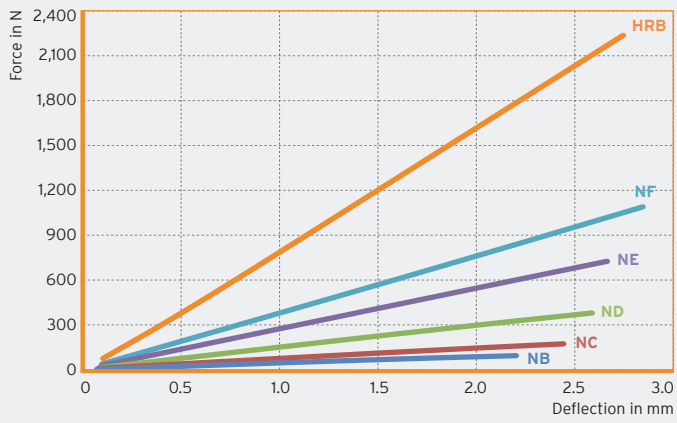


Customised block elements available on request

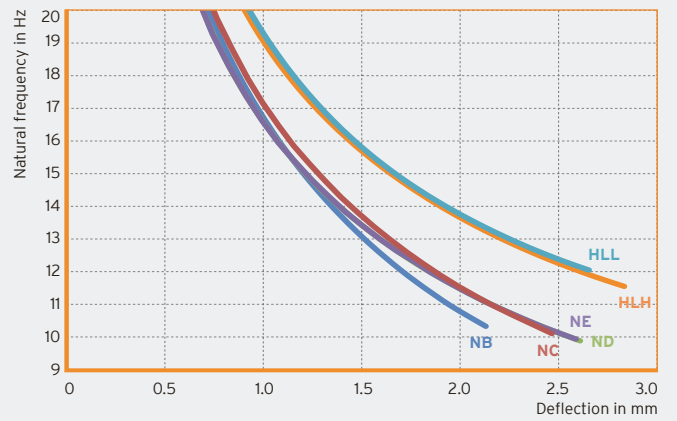
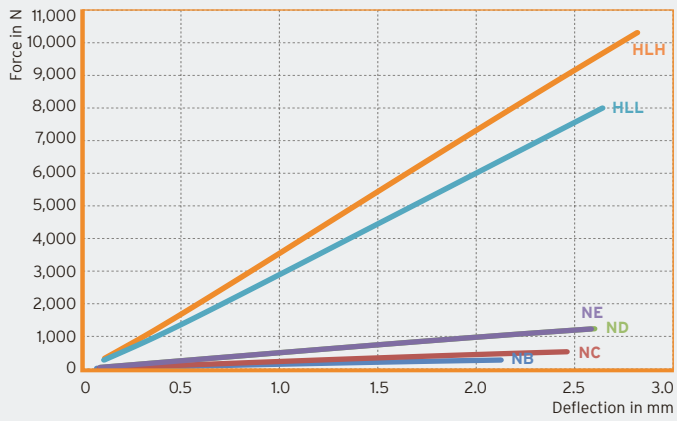


# Isotop DZE

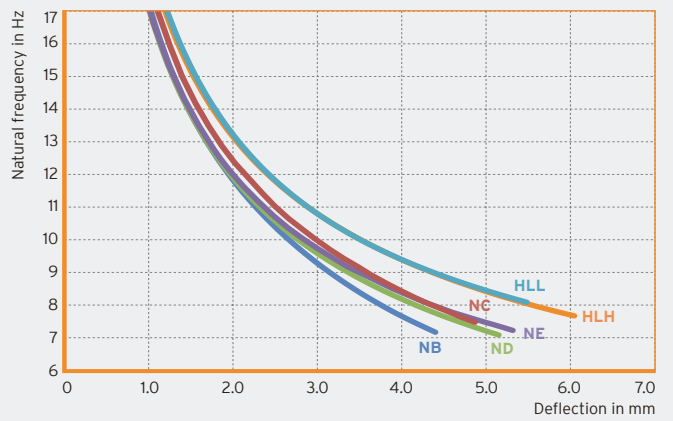
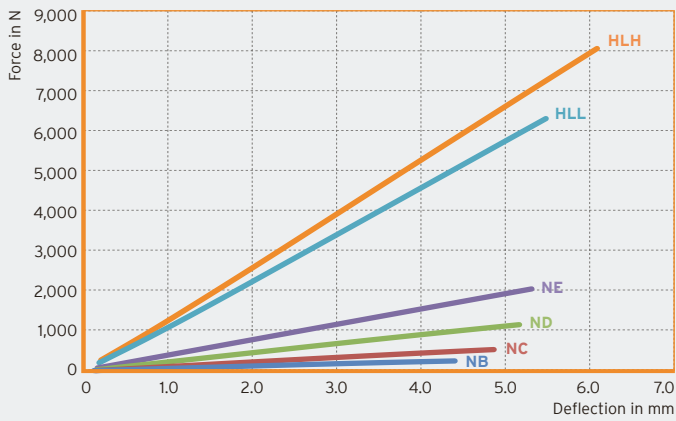
## Isotop DZE Mini



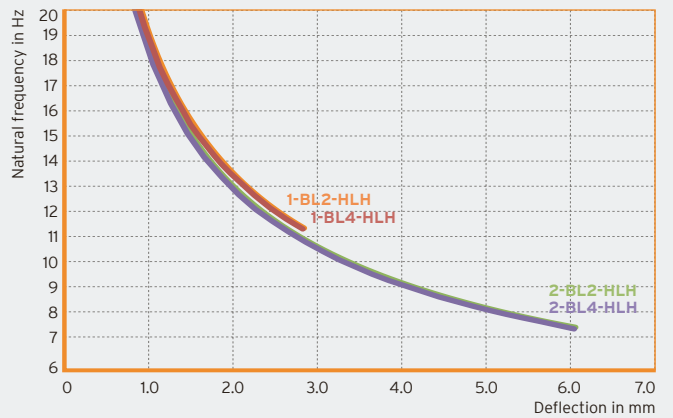
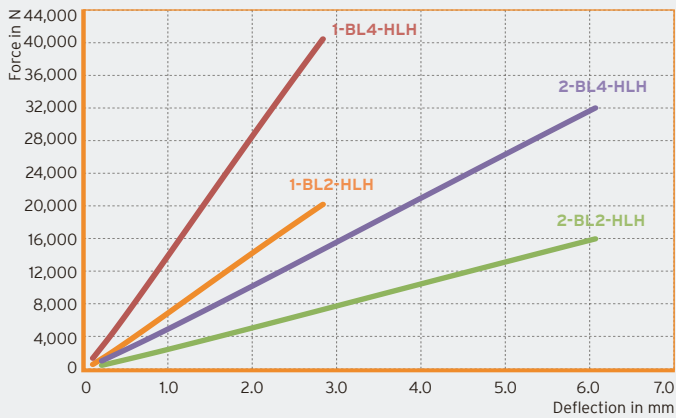
## Isotop DZE-1



### Isotop DZE-2



### Isotop DZE-x-BL



DB Isotop en © Copyright by Getzner Werkstoffe GmbH | 02-2022 | All information and data is based on our current knowledge. It can be used in calculations and for reference purposes, but is subject to product-specific and application-specific manufacturing tolerances and does not represent warranted properties. Material properties and their tolerances vary depending on the type of application and load and are available from Getzner on request. Subject to change without notice. For further general information, see VDI directive 2062 and glossary. Further characteristic values available on request.