

Isotop® DZE

Multi-part Element Stainless Steel
up to 1000 kg

by getzner
isotop®

Design

Isotop® DZE is a multi-part element consisting of stainless steel and two different insulation materials: Sylodyn® and Sylodamp®. Combined they are resilient to pressure and tensile loading. Due to the spring/damper combination the transmission of vibration can be isolated precisely and effectively and strong amplitudes will be debilitated. The continuous steel axis with its welded-on baseplate endures strong horizontal forces as well as massive negative impulses like e.g. windloads.

Field of application

Isotop® DZE elements can be adjusted individually down to a natural frequency of approx. 7 Hz depending on the load.

Various applications, for example elastic isolation of:

- Compressors
- Pumps
- Cooling towers
- Fast rotating machines
- HVAC
- Roof-top devices
- Emergency power units
- Vibration isolation of all kinds

Required data for selection

- Total weight to be absorbed
- Number and location of points of support
- Centre of gravity
- Structural shape of the device
- Direction of load
- Lowest disturbing frequency
(rotational speed or number of strokes)



Isotop® DZE

Advantages

- Different combinations of spring/damper elements depending on the load of the device allow ideal frequency tuning.
- Premounted elements ensure fast assemblage
- Demolition-proof - especially advisable for narrow and tall devices or mobile applications
- Long durability
- Low resonant frequency
- Low construction height

Our service

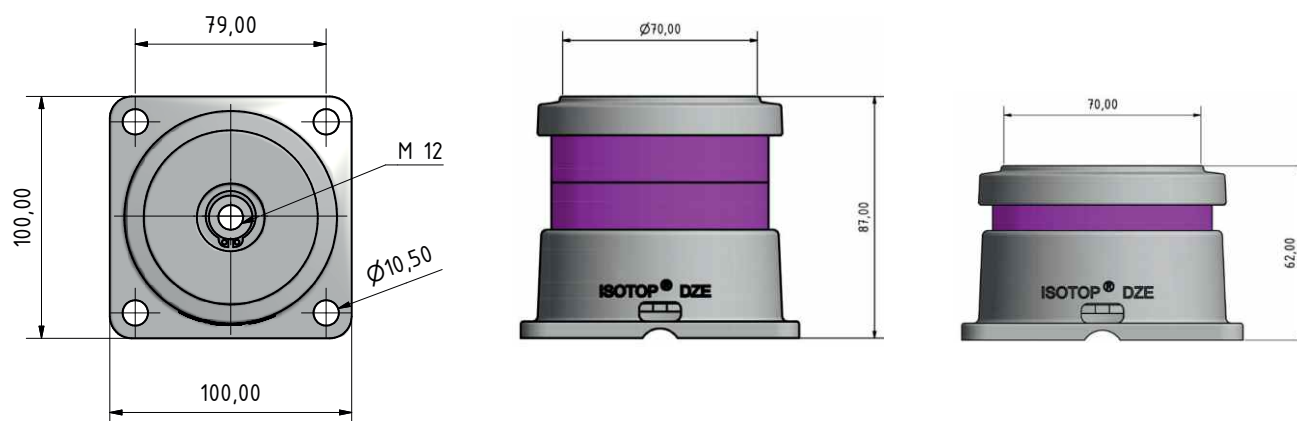
Make use of our know-how on questions about vibration technology. We will gladly consult you and will calculate tailor-made solutions for vibration isolation.

Selection table

DESCRIPTION	REF. NO.	MAX. LOAD IN KG	NATURAL FREQUENCY IN HZ ON MAX. LOAD	DEFLECTION IN MM
Single-layer				
Isotop® DZE 1 NB SP	45000930	28	10.3	2.2
Isotop® DZE 1 NC SP	45000931	55	9.9	2.6
Isotop® DZE 1 ND SP	45000932	125	9.8	2.7
Isotop® DZE 1 NE SP	45000933	250	9.9	2.8
Isotop® DZE 1 HLL SP 5	45000940	650	13.2	2.2
Isotop® DZE 1 HLH SP 5	45000941	1000	11.7	2.8
Double-layer				
Isotop® DZE 2 NB SP	45000935	25	7.2	4.4
Isotop® DZE 2 NC SP	45000936	48	7.6	5.0
Isotop® DZE 2 ND SP	45000937	105	7.0	5.3
Isotop® DZE 2 NE SP	45000938	200	7.1	5.4
Isotop® DZE 2 HLL SP 5	45000942	600	8.1	5.5
Isotop® DZE 2 HLH SP 5	45000943	850	7.7	6.1

Defined breaking loads in horizontal direction

DESCRIPTION	MAX. FORCE (S=2)	BREAKAGE AT MAX. FORCE (DEPENDING ON TYPE OF MATERIAL)
Isotop® DZE	5 kN	16 kN
Isotop® DZE 2	2 kN	9 kN
Isotop® DZE Mini	2 kN	7 – 11 kN



All data indicated are based upon our current knowledge. They may be used as calculation and standard values and are subject to the usual machining tolerances. Subject to change and correction.