



Isotop SD-BL

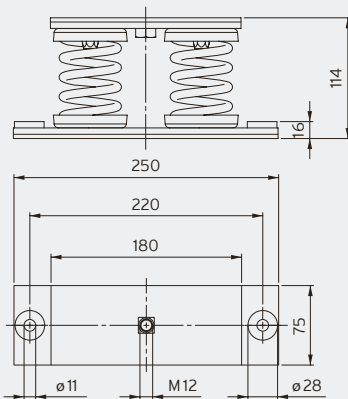
SD steel spring block element

- Natural frequency from 3.4 Hz
- High load capacity of up to 4,730 kg per element
- 6 mm top plate and base plate fitted with 4 mm Sylomer[®] anti-slip plate
- CDC coating of springs and powder coating of pressure plates for outstanding corrosion protection
- Secure connection between the plate and the spring thanks to special adhesive
- Top plate with M12 thread
- Simple load control thanks to open design

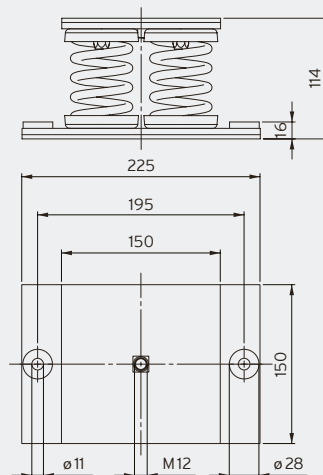
SD-BL	Maximum load		Natural frequency at maximum load	Packaging unit	Order number
	in kg	in N			
Isotop SD-BL2-71/81	690	6,769	3.4 Hz	4 pcs.	47298
Isotop SD-BL2-82/90	840	8,240	3.4 Hz	4 pcs.	47300
Isotop SD-BL2-80/92	1,050	10,301	3.4 Hz	4 pcs.	47299
Isotop SD-BL4-84/90	1,680	16,481	3.4 Hz	4 pcs.	47282
Isotop SD-BL4-82/92	1,890	18,541	3.4 Hz	4 pcs.	47284
Isotop SD-BL4-80/94	2,100	20,601	3.4 Hz	4 pcs.	47285
Isotop SD-BL6-84/92	2,730	26,781	3.4 Hz	10 pcs.	47279
Isotop SD-BL9-80/99	4,730	46,401	3.4 Hz	10 pcs.	47273

Not held in stock. Delivery time on request (approx. 15 working days from the factory).

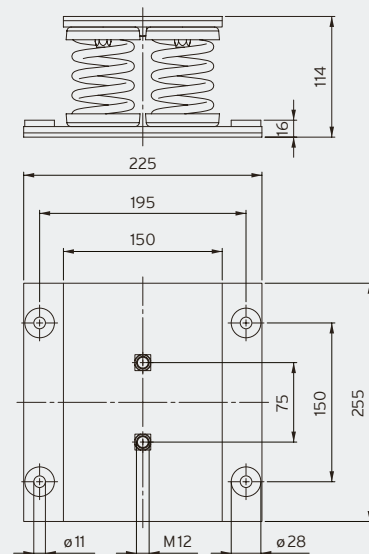
Isotop SD-BL 2 (unloaded)



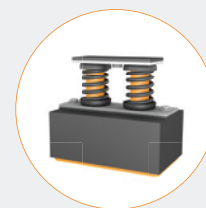
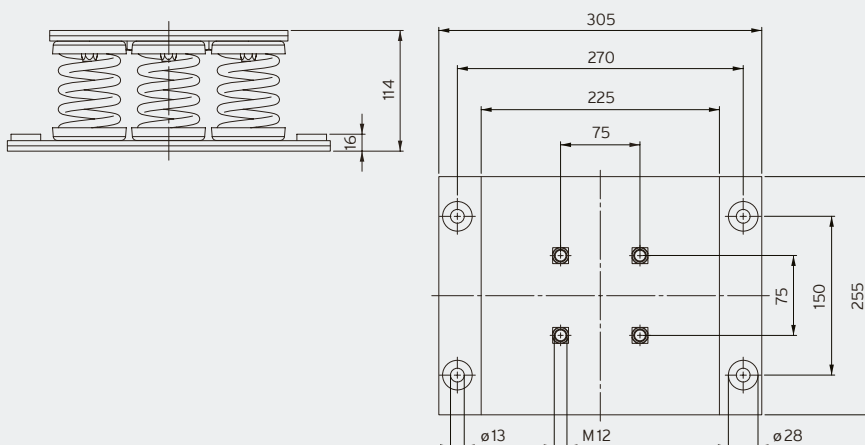
Isotop SD-BL 4 (unloaded)



Isotop SD-BL 6 (unloaded)



Isotop SD-BL 9 (unloaded)



Isotop SD-BL2 and SD-BL4 optionally available with spacer base

Details on page 28



Customised block elements available on request

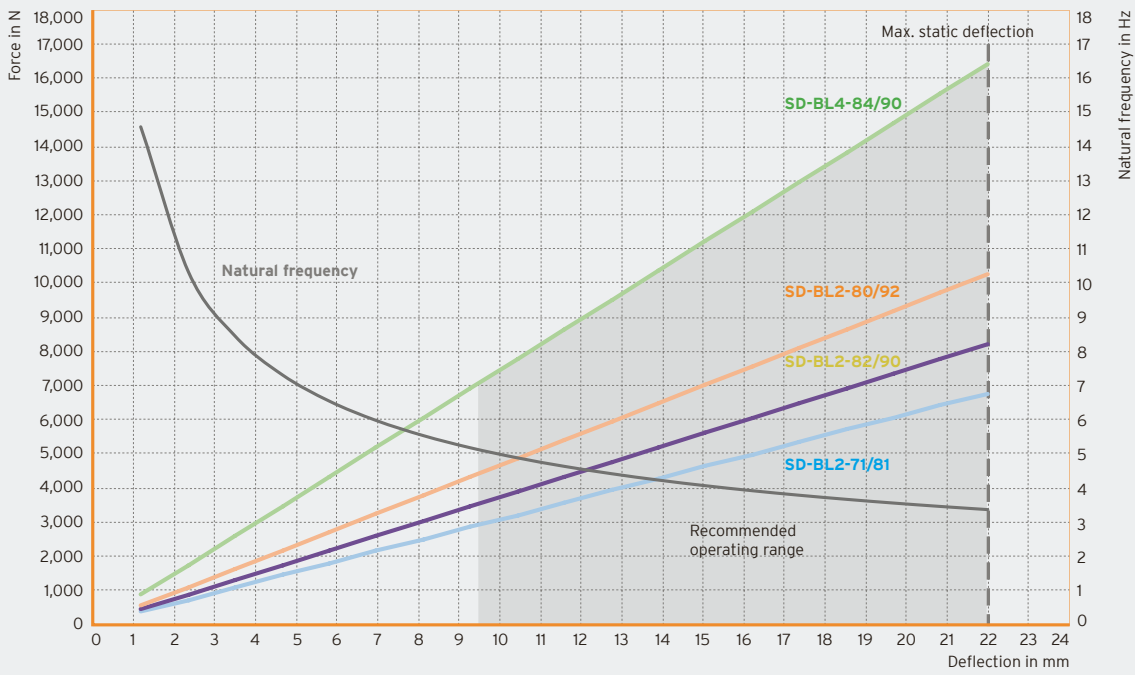


Bearing of pumps with additional mass

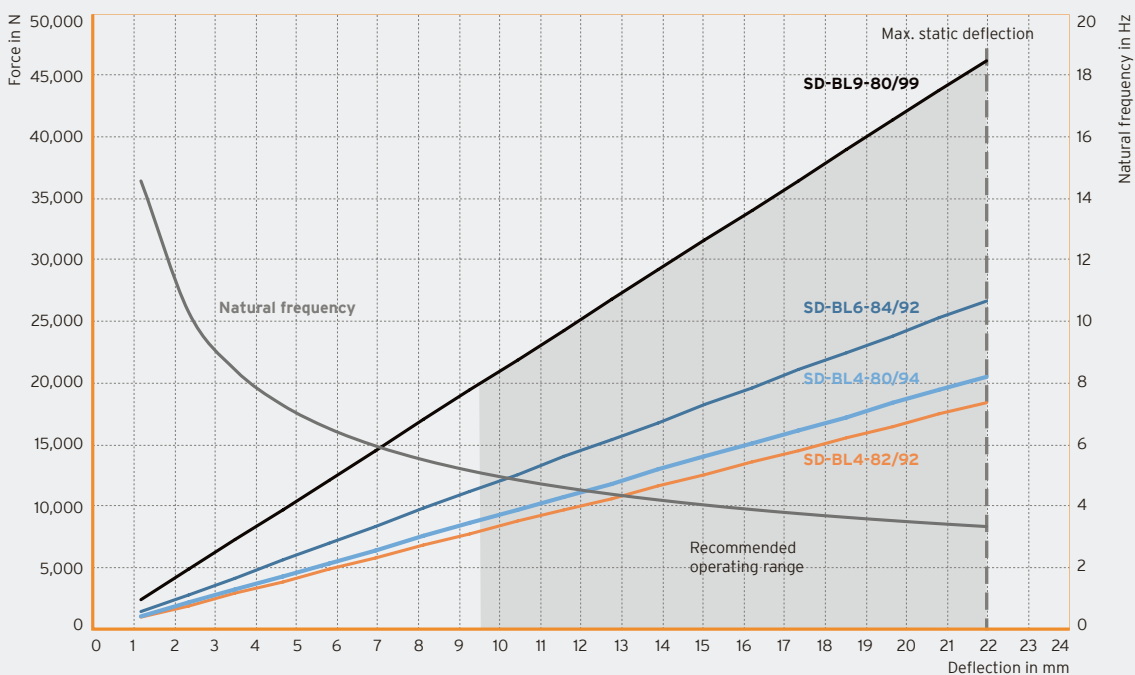


Roof-mounted HVAC system

Isotop SD-BL2 and SD-BL4



Isotop SD-BL 4, SD-BL 6 and SD-BL 9



DB Isotop en © Copyright by Getzner Werkstoffe GmbH | 02:2022 | All information and data is based on our current knowledge. It can be used in calculations and for reference purposes, but is subject to product-specific and application-specific manufacturing tolerances and does not represent warranted properties. Material properties and their tolerances vary depending on the type of application and load and are available from Getzner on request. Subject to change without notice. For further general information, see VDI directive 2062 and glossary. Further characteristic values available on request.