



Isotop[®] SD-BL

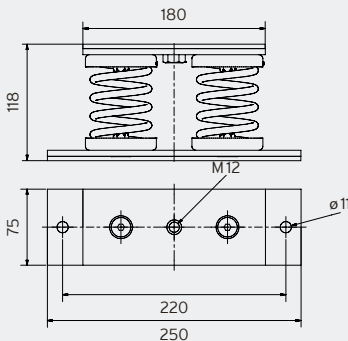
SD steel spring block element

- Natural frequency from 3.4 Hz
- High load capacity of up to 4,730 kg per element
- Top plate and base plate fitted with 6 mm Sylomer[®] anti-slip plate
- CDC coating of springs and powder coating of pressure plates for outstanding corrosion protection
- Secure connection between the plate and the spring thanks to special adhesive
- Top plate with M12 thread
- Simple load control thanks to open design

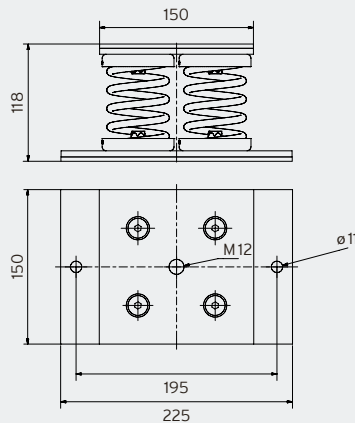
SD-BL	Maximum load		Natural frequency at maximum load	Packaging unit	Order number
	in kg	in N			
Isotop [®] SD-BL2-71/81	690	6,769	3.4 Hz	4 pcs.	42417
Isotop [®] SD-BL2-82/90	840	8,240	3.4 Hz	4 pcs.	42418
Isotop [®] SD-BL2-80/92	1,050	10,301	3.4 Hz	4 pcs.	42419
Isotop [®] SD-BL4-84/90	1,680	16,481	3.4 Hz	4 pcs.	42420
Isotop [®] SD-BL4-82/92	1,890	18,541	3.4 Hz	4 pcs.	42421
Isotop [®] SD-BL4-80/94	2,100	20,601	3.4 Hz	4 pcs.	42422
Isotop [®] SD-BL6-84/92	2,730	26,781	3.4 Hz	10 pcs.	42423
Isotop [®] SD-BL9-80/99	4,730	46,401	3.4 Hz	10 pcs.	42424

Not held in stock. Delivery time on request (approx. 15 working days from the factory). Customised block elements (spring combinations) available on request.

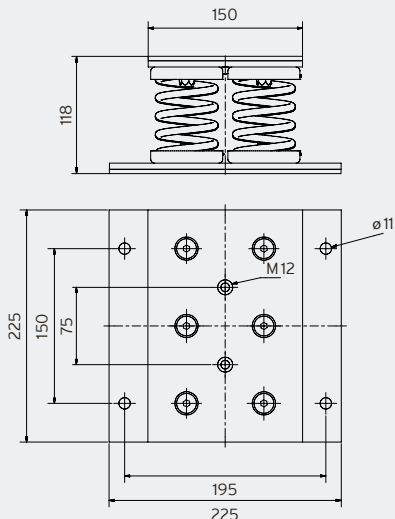
Isotop[®] SD-BL 2 (unladen)



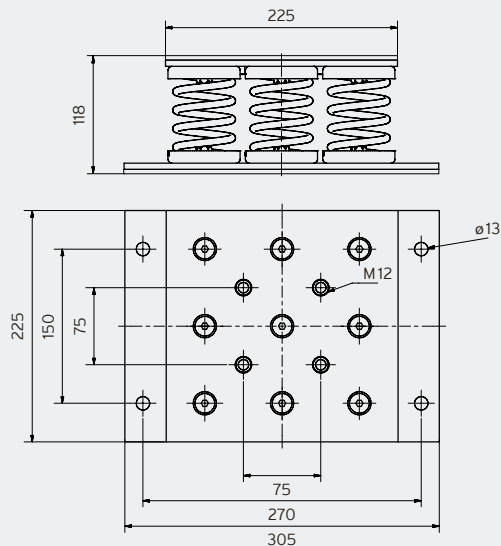
Isotop[®] SD-BL 4 (unladen)



Isotop[®] SD-BL 6 (unladen)



Isotop[®] SD-BL 9 (unladen)



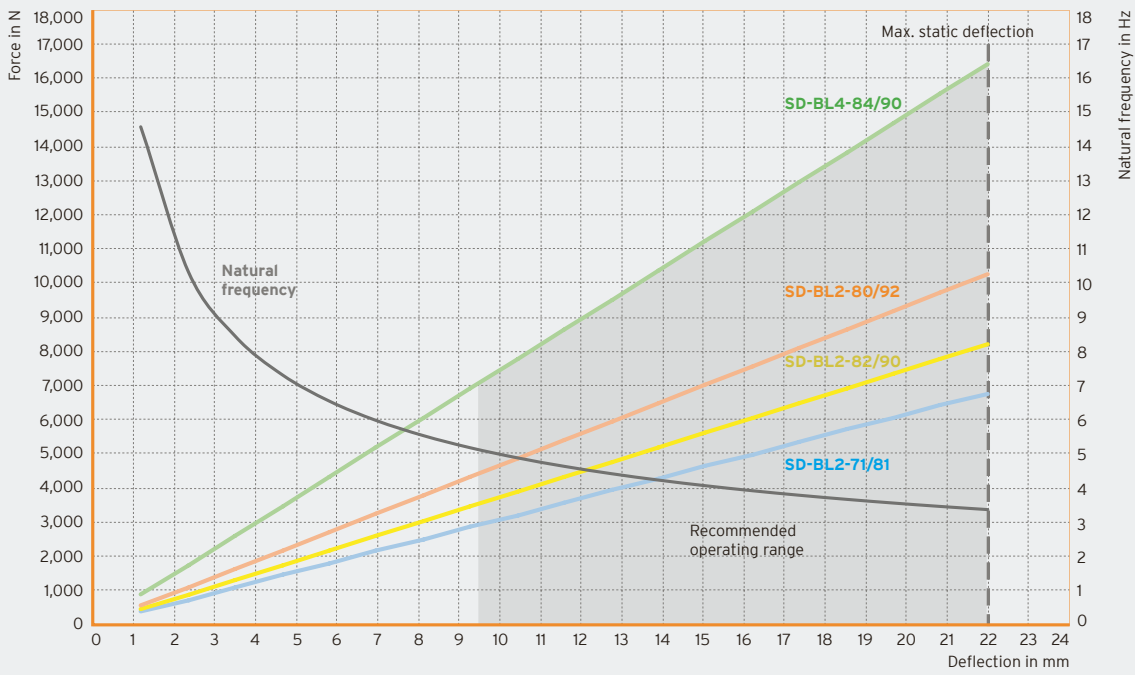


Bearing of pumps with additional mass

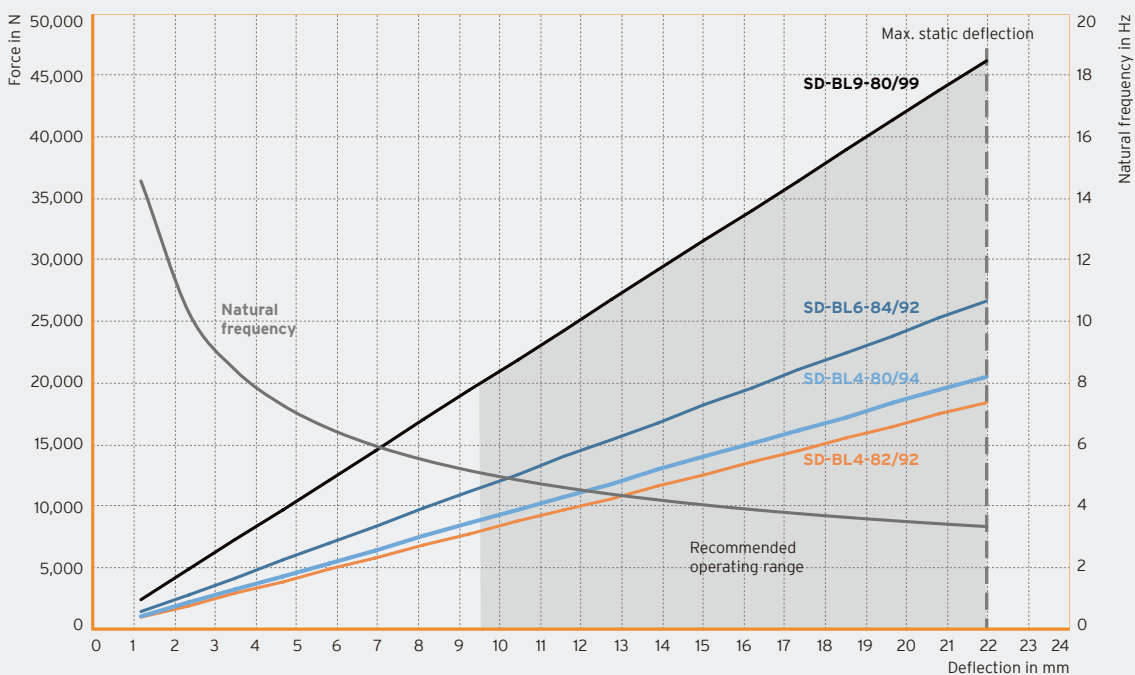


Roof-mounted AC system

Isotop® SD-BL



Isotop® SD-BL



DB Isotop® en © Copyright by Getzner Werkstoffe GmbH | 05/2020 | All information and data is based on our current knowledge. The data can be applied for calculations and as guidelines, are subject to typical manufacturing tolerances and are not guaranteed. Material properties as well as their tolerances can vary depending on type of application or use and are available from Getzner on request. Further information can be found in VDI Guideline 2062 (Association of German Engineers) as well as in glossary. Further characteristic values on request.