

ISOTOP® STEEL SPRINGS WITH DAMPER CORES

DATA SHEET



Quickly find the right Isotop® machine bearing for your application with the EquipCalc selection program from Getzner.



Register online now
apps.getzner.com

PRODUCT BENEFITS

- The combination of steel springs and damper cores enables mechanical energy to be absorbed effectively, while simultaneously reducing vibrations.
- The kinetic energy is converted by the damper core, leading to improved shock pulse damping.
- The damper core's durable properties ensure consistent performance over long periods of time.

All information and data are based on our current knowledge. It can be used in calculations and for reference purposes, but is subject to product-specific and application-specific manufacturing tolerances and does not represent warranted properties. Material properties and their tolerances vary depending on the type of application and load and are available from Getzner on request. Subject to change without notice.

For further general information, see VDI Directive 2062 and glossary.
Further characteristic values available on request.

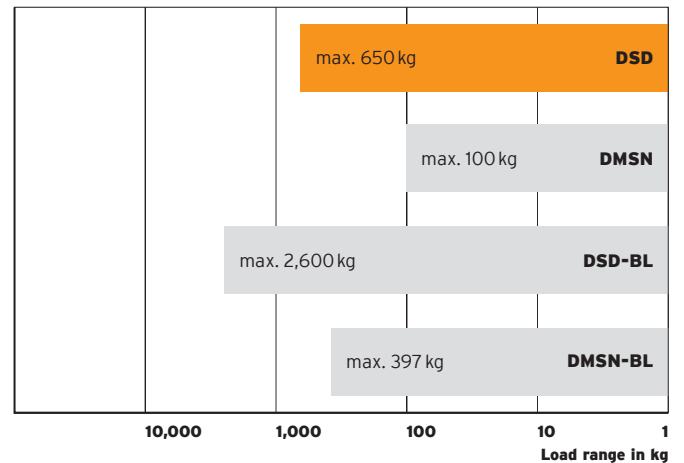
getzner

ISOTOP® DSD



Isotop® steel springs with damper core type overview

Static application range



Description

Category	Steel spring with damper core Design conforms to DIN EN 13906-1
Material	Metal caps made of steel Spring steel 75 mm Sylodamp® damper core
Coating	Cathodic dip-painted
Permissible temperature range	-30°C to +70°C
Dimensions (unloaded)	H 94 mm / D 70 mm

Product characteristics

Natural frequency from	4.2 Hz
Load range up to	650 kg / 6,377 N
Connection thread	M10 internal thread
Suitable accessories	Isotop® FP/K 1-9 KTL Isotop® FP 1-9 KTL Isotop® NV 1-9



[getzner.com/
spring-mounts-dampercore](https://www.getzner.com/spring-mounts-dampercore)



Type	Max. load		Order no.
	in kg	in N	
DSD spring element, cathodic dip coated			
Isotop® DSD 1 KTL	24	235	39492
Isotop® DSD 2 KTL	39	383	39493
Isotop® DSD 3 KTL	57	559	39495
Isotop® DSD 4 KTL	87	853	39496
Isotop® DSD 5 KTL	140	1,373	39497
Isotop® DSD 6 KTL	200	1,962	39157
Isotop® DSD 7 KTL	365	3,581	39498
Isotop® DSD 8 KTL	470	4,611	39499
Isotop® DSD 9 KTL	650	6,377	39500



Base plate FP/K with damping element for DSD			
Isotop® FP/K 1–9 KTL	for DSD 1to 9		39158

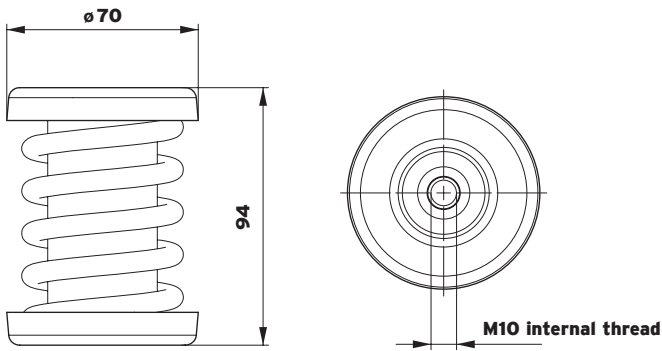


Base plate FP for DSD, cathodic dip coated			
Isotop® FP 1–9 KTL	for DSD 1to 9		39537

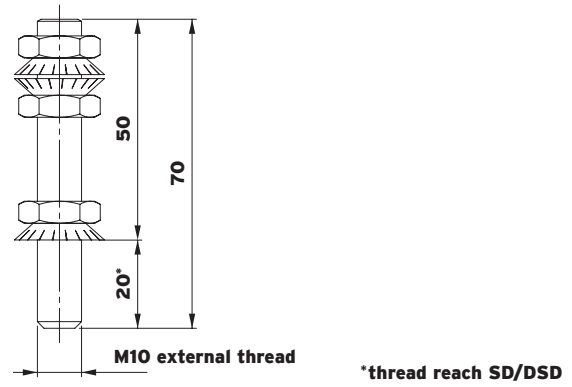


Height adjustment for DSD			
Isotop® NV 1–9	for DSD 1to 9		47321

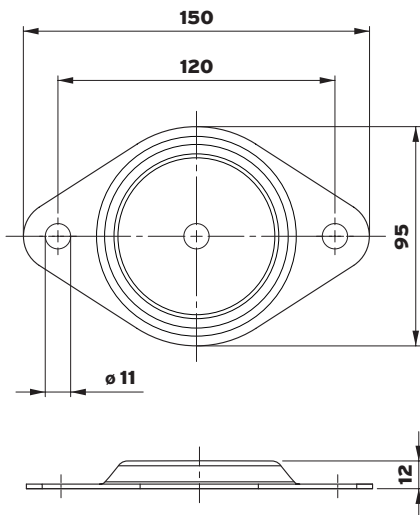
Isotop® DSD
(uncoated)



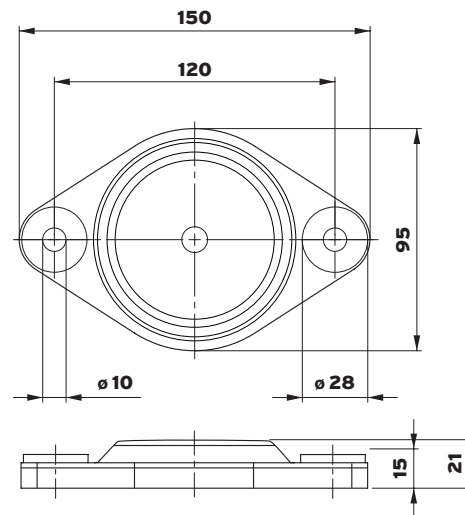
Isotop® NV1-9



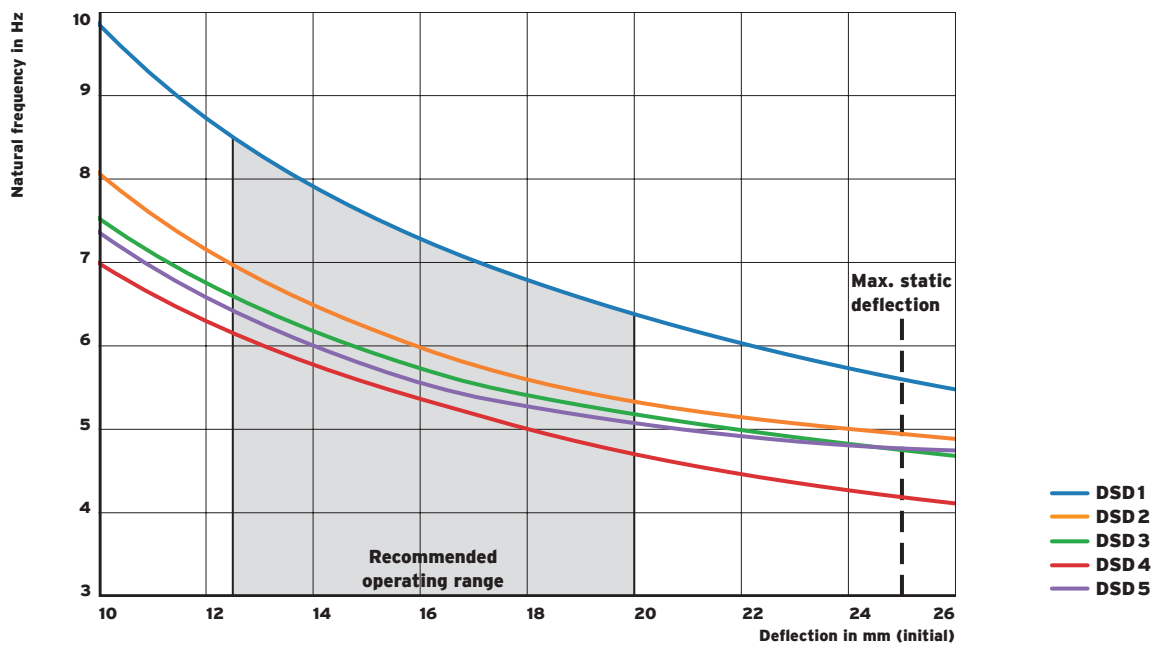
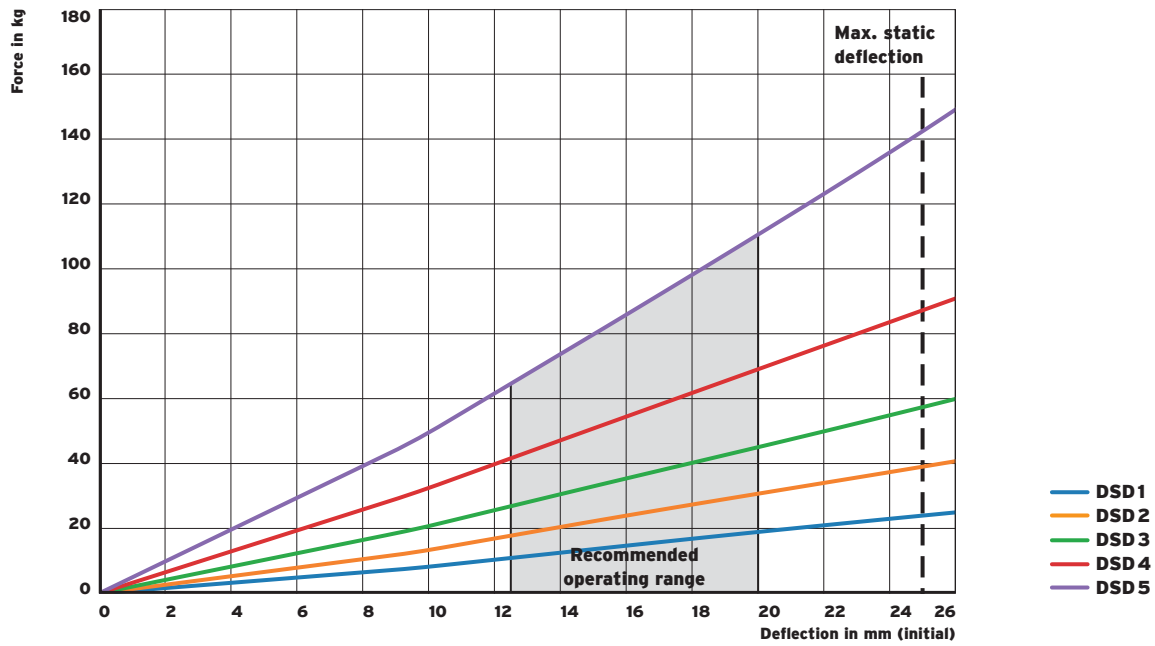
Isotop® FP



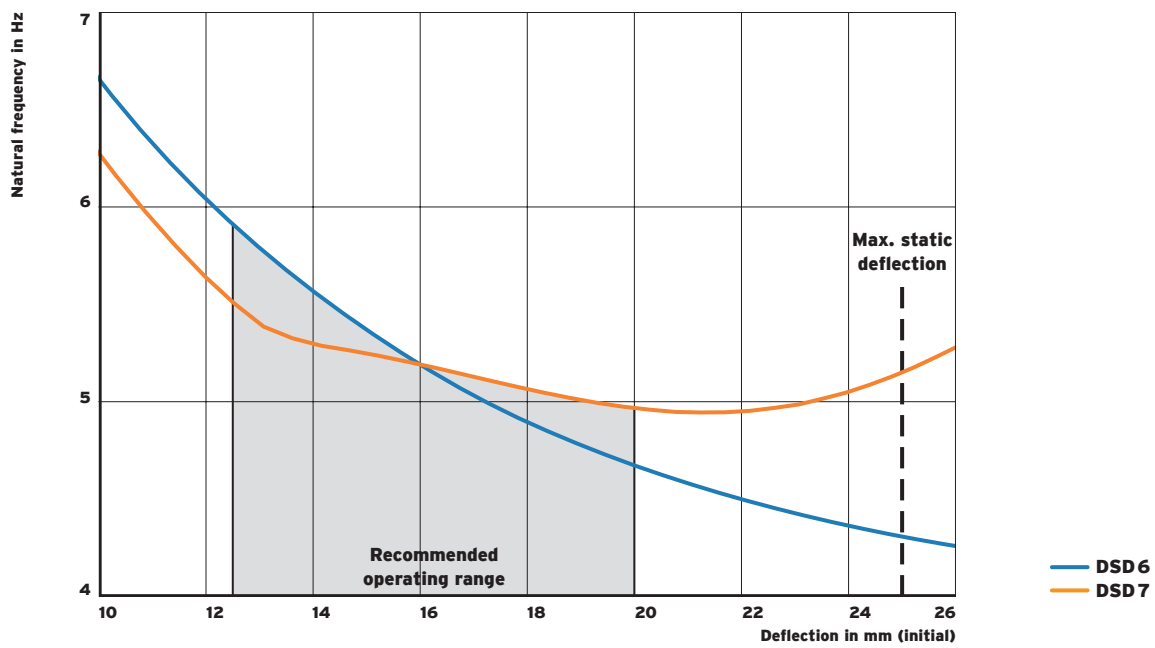
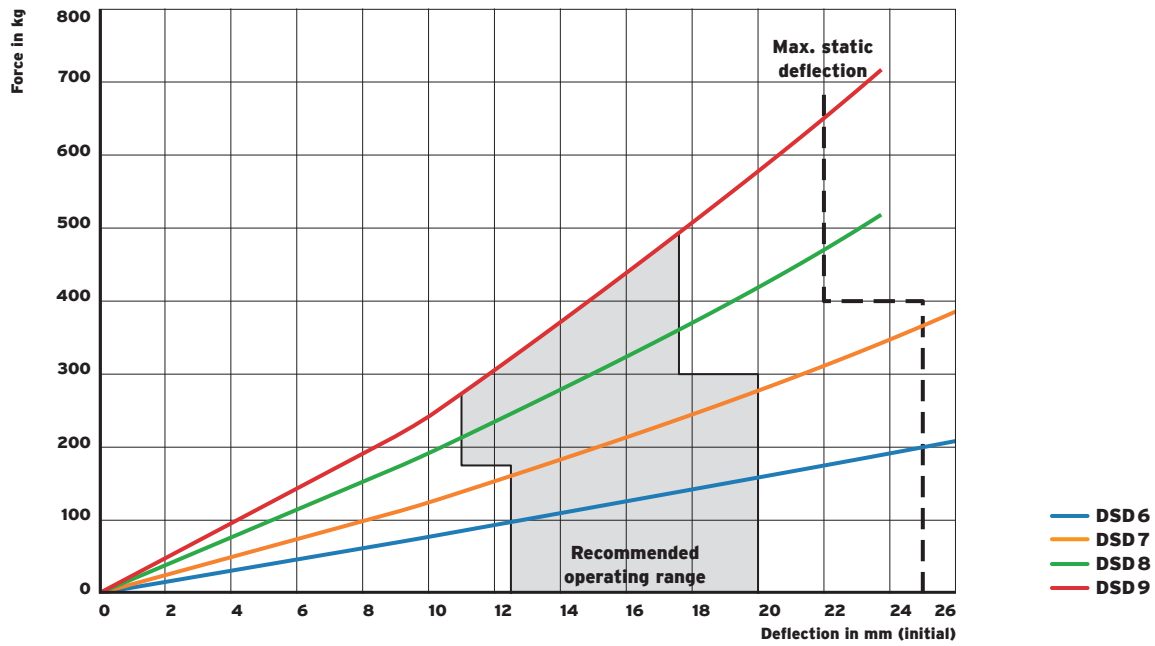
Isotop® FP/K



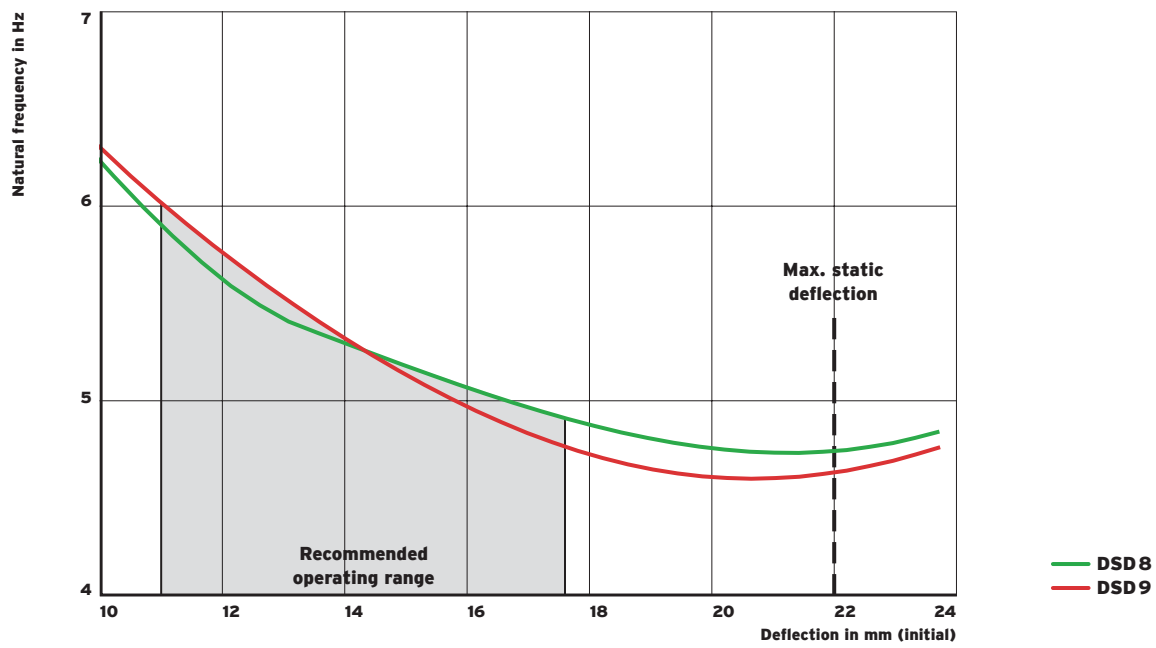
Isotop® DSD



Isotop® DSD



Isotop® DSD

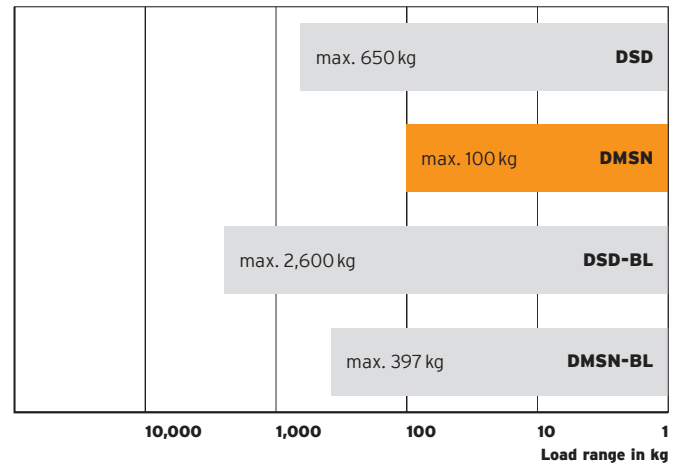


ISOTOP® DMSN



Isotop® steel springs with damper core type overview

Static application range



Description

Category	Steel spring with damper core Design conforms to DIN EN 13906-1
Material	Metal caps made of steel, Spring steel, 37.5 mm Sylodamp® damper core
Coating	Cathodic dip-painted
Permissible temperature range	-30°C to +70°C
Dimensions (unloaded)	H 57 mm / D 52 mm

Product characteristics

Natural frequency from	5.3 Hz
Load range up to	100 kg / 981 N
Connection thread	M8 internal thread
Suitable accessories	Isotop® NV 1-8 MSN



[getzner.com/
spring-mounts-dampercore](https://www.getzner.com/spring-mounts-dampercore)

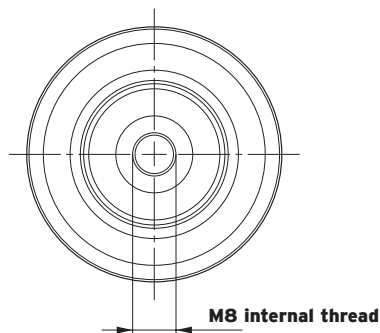
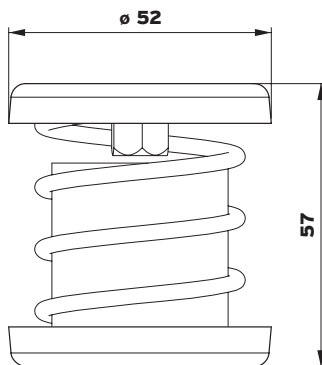


Type	Max. load		Order no.
	in kg	in N	
DMSN spring element, cathodic dip coated			
Isotop® DMSN 3	11	108	42389
Isotop® DMSN 4	16	158	42390
Isotop® DMSN 5	33	324	42397
Isotop® DMSN 6	45	441	42396
Isotop® DMSN 7	63	618	42394
Isotop® DMSN 8	100	981	42395

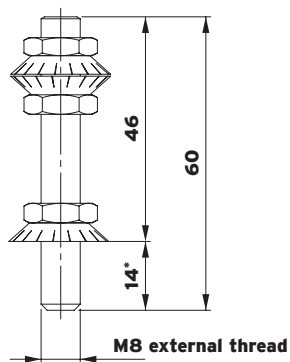


Height adjustment for DMSN			
Isotop® NV 1–8 MSN	M8	for DMSN 3 to 8	47322

Isotop® DMSN
(unloaded)

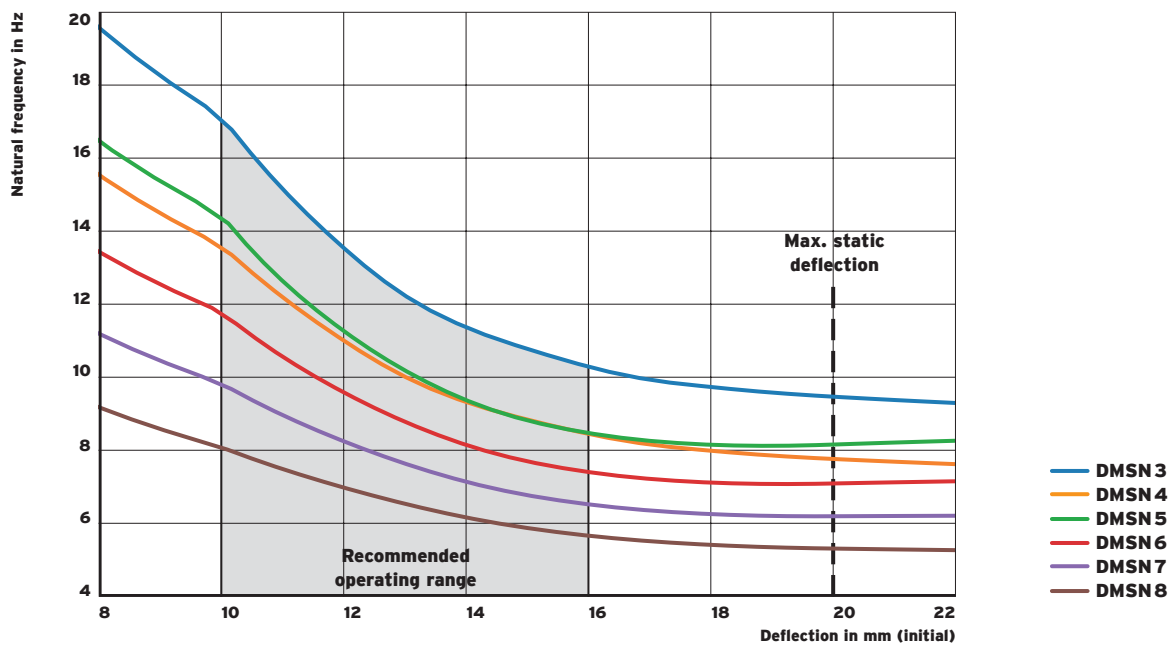
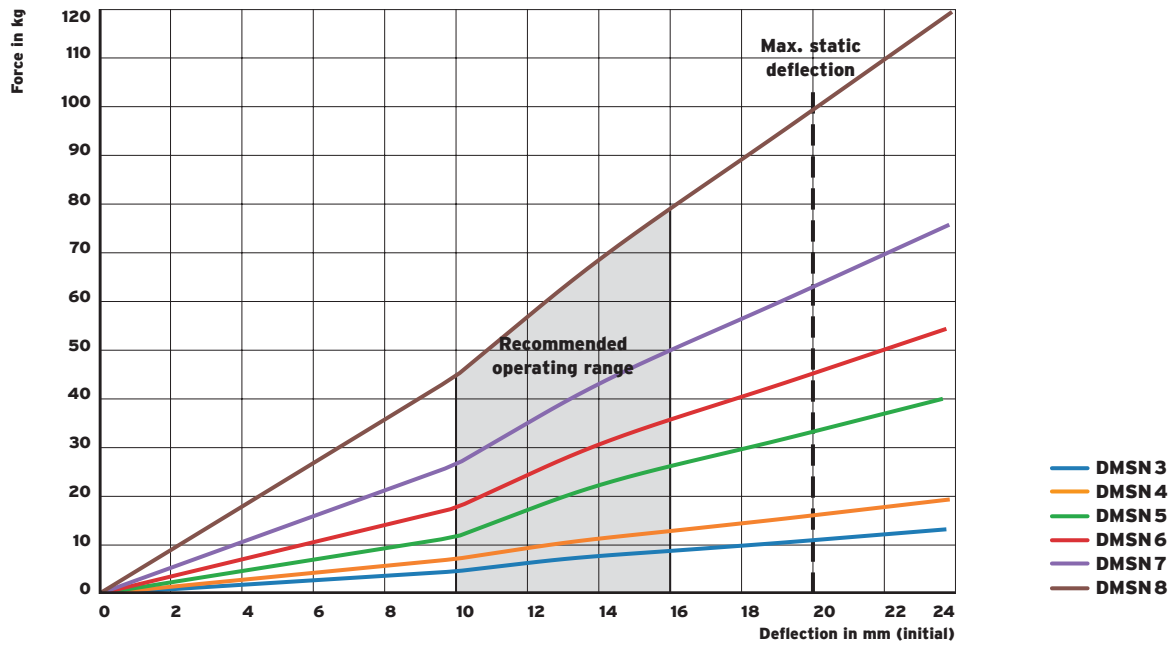


Isotop® NV 1-8 DMSN



* Thread reach MSN/DMSN

Isotop® DMSN

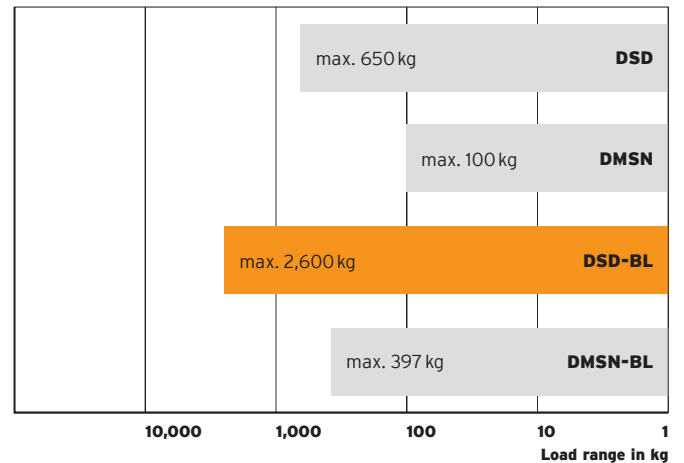


ISOTOP® DSD-BL



Isotop® steel springs with damper core type overview

Static application range



Description

Category	Steel spring with damper core Design conforms to DIN EN 13906-1
Material	4 mm Sylomer® anti-slip plates Metal caps made of steel Spring steel 75 mm Sylodamp® damper core 6 mm steel pressure plates
Coating	Cathodic dip-painted springs Powder-coated pressure plates
Permissible temperature range	-30°C to +70°C
Dimensions (unloaded)	As per drawing

Product characteristics

Natural frequency from	4.2 Hz
Load range up to	2,600 kg / 25,506 N
Connection thread	M12 internal thread
Suitable accessories	Isotop® DT (SD-BL 2 and SD-BL 4)

Naming convention

Isotop® DSD-BL4-82/92

Block element with springs of type DSD —
 Block element with 4 springs in total —
 2 springs of type DSD 8 included —
 2 springs of type DSD 9 included —



[getzner.com/
spring-mounts-dampercore](https://www.getzner.com/spring-mounts-dampercore)

by getzner
isotop®



Type	Max. load		Order no.
	in kg	in N	
DSD block element 2			
Isotop® DSD-BL2-12/20	47	461	51200
Isotop® DSD-BL2-11/21	62	608	51201
Isotop® DSD-BL2-22/30	78	765	51202
Isotop® DSD-BL2-21/31	96	941	51203
Isotop® DSD-BL2-31/41	144	1,412	51204
Isotop® DSD-BL2-32/40	114	1,118	51205
Isotop® DSD-BL2-42/50	174	1,706	49690
Isotop® DSD-BL2-41/51	229	2,246	47249
Isotop® DSD-BL2-52/60	284	2,786	47253
Isotop® DSD-BL2-51/61	342	3,355	47251
Isotop® DSD-BL2-62/70	399	3,914	47257
Isotop® DSD-BL2-61/71	566	5,552	47255
Isotop® DSD-BL2-72/80	732	7,180	47258
Isotop® DSD-BL2-71/81	781	7,661	51206
Isotop® DSD-BL2-82/90	939	9,211	47264
Isotop® DSD-BL2-81/91	1,119	10,977	47262
Isotop® DSD-BL2-80/92	1,300	12,753	47260



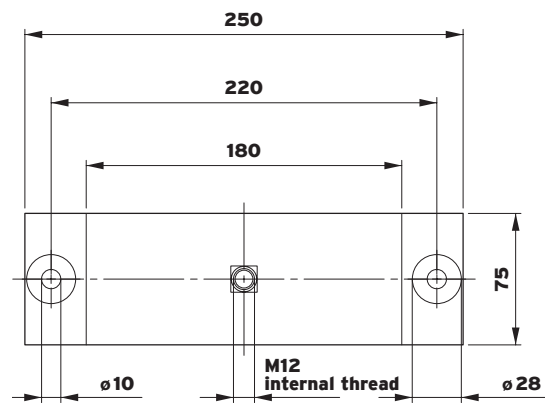
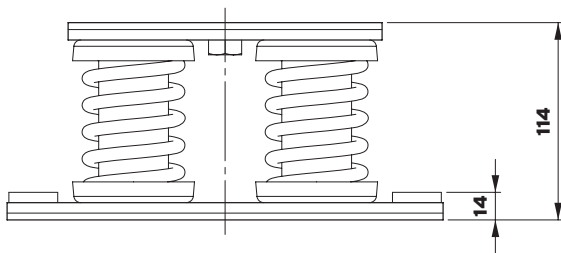
DSD block element 4			
Isotop® DSD-BL4-14/20	95	931	51207
Isotop® DSD-BL4-12/22	125	1,226	51208
Isotop® DSD-BL4-24/30	156	1,530	51209
Isotop® DSD-BL4-22/32	192	1,883	51210
Isotop® DSD-BL4-34/40	229	2,246	51211
Isotop® DSD-BL4-32/42	289	2,835	51212
Isotop® DSD-BL4-44/50	348	3,413	47265
Isotop® DSD-BL4-42/52	459	4,502	51213
Isotop® DSD-BL4-54/60	569	5,581	47269
Isotop® DSD-BL4-52/62	684	6,710	47267
Isotop® DSD-BL4-64/70	799	7,838	51214
Isotop® DSD-BL4-62/72	1,132	11,104	51215
Isotop® DSD-BL4-74/80	1,464	14,361	48188
Isotop® DSD-BL4-72/82	1,562	15,323	47271
Isotop® DSD-BL4-84/90	1,879	18,432	47275
Isotop® DSD-BL4-82/92	2,239	21,964	47274
Isotop® DSD-BL4-80/94	2,600	25,506	47272



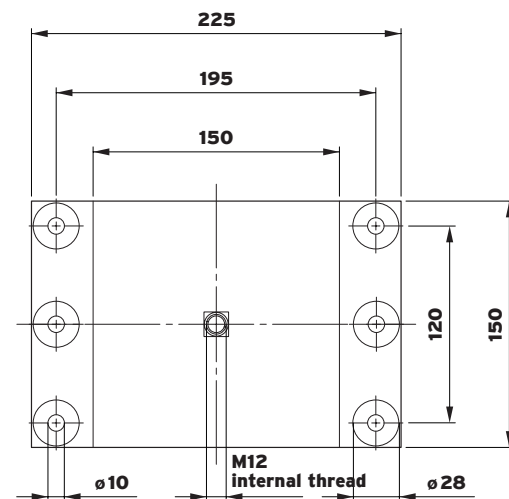
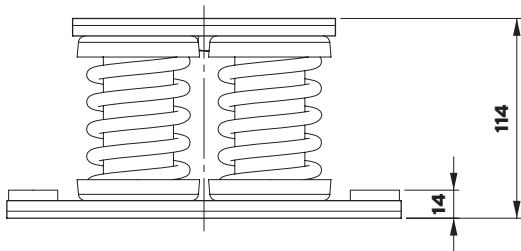
DT spacer base for DSD-BL2 and DSD-BL4			
Isotop® DT	–	–	47169

Isotop® DSD-BL 2

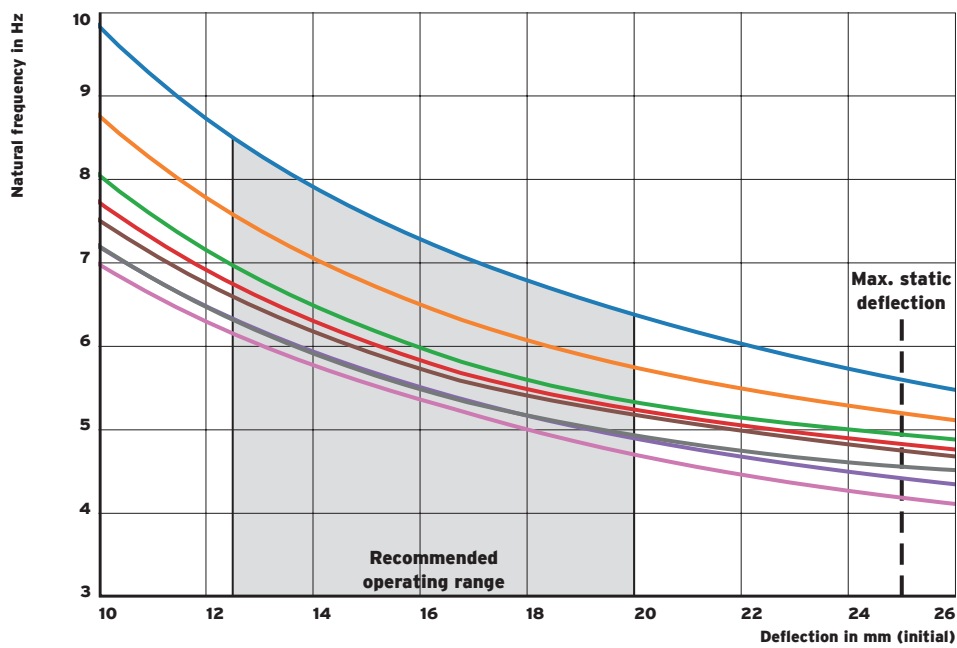
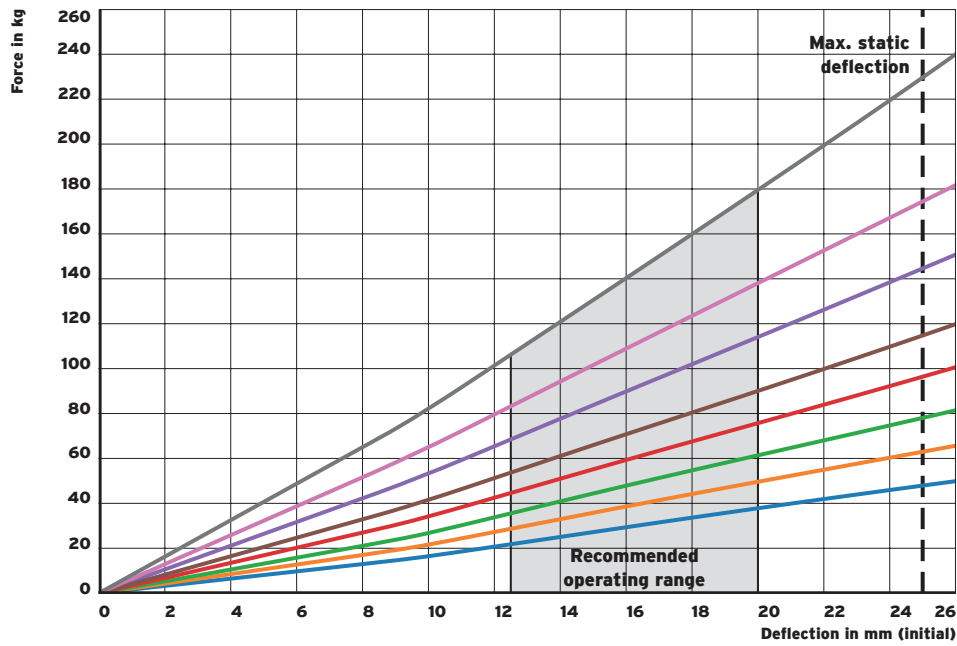
(unloaded)

**Isotop® DSD-BL 4**

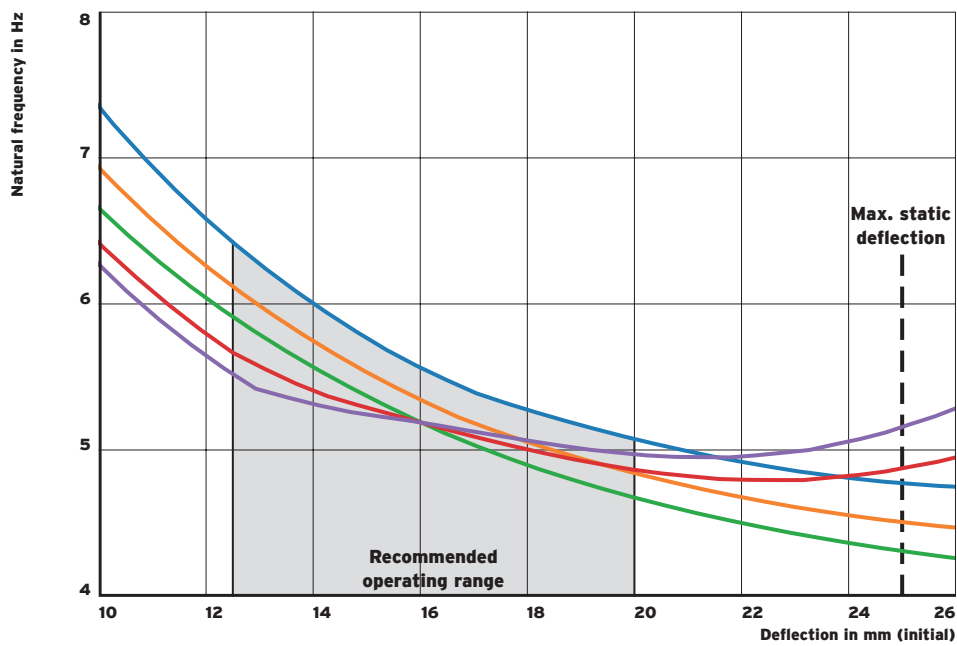
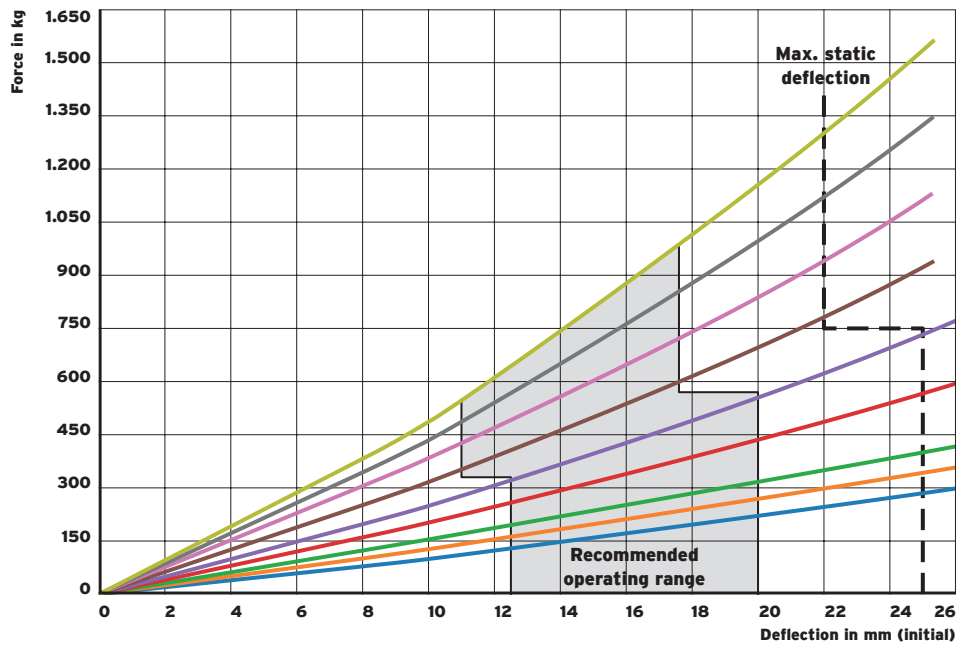
(unloaded)



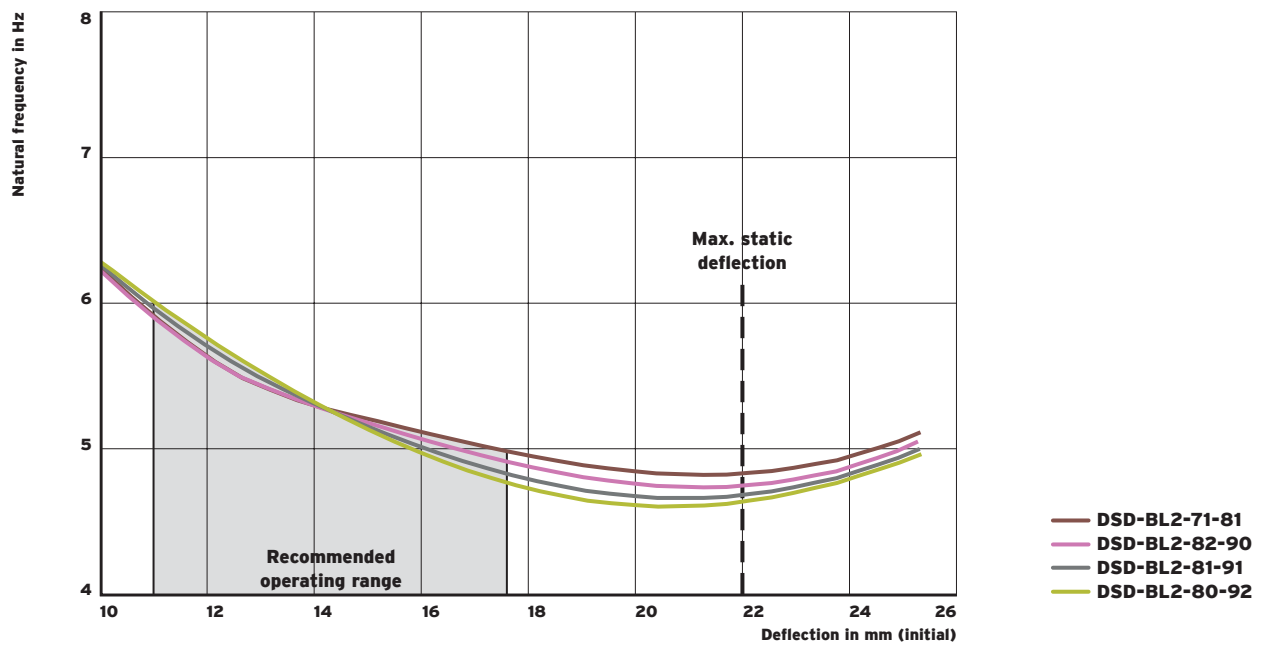
Isotop® DSD-BL 2



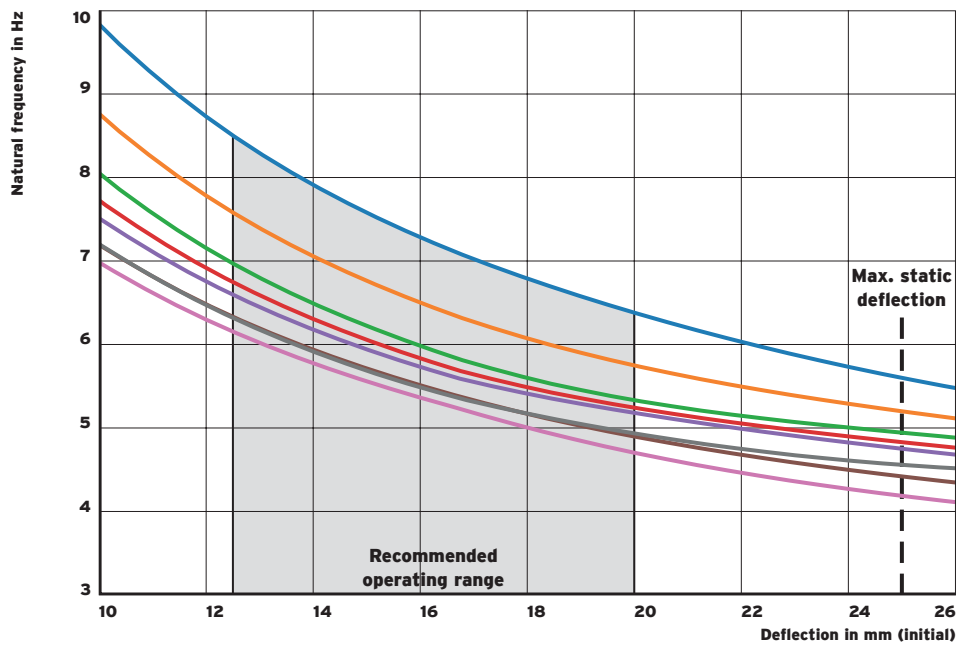
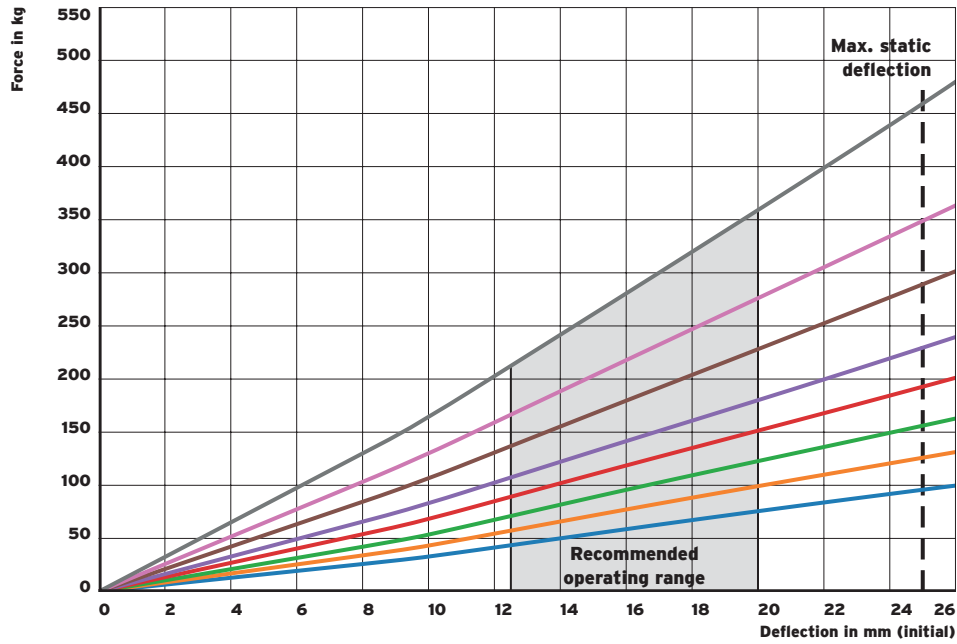
Isotop® DSD-BL 2



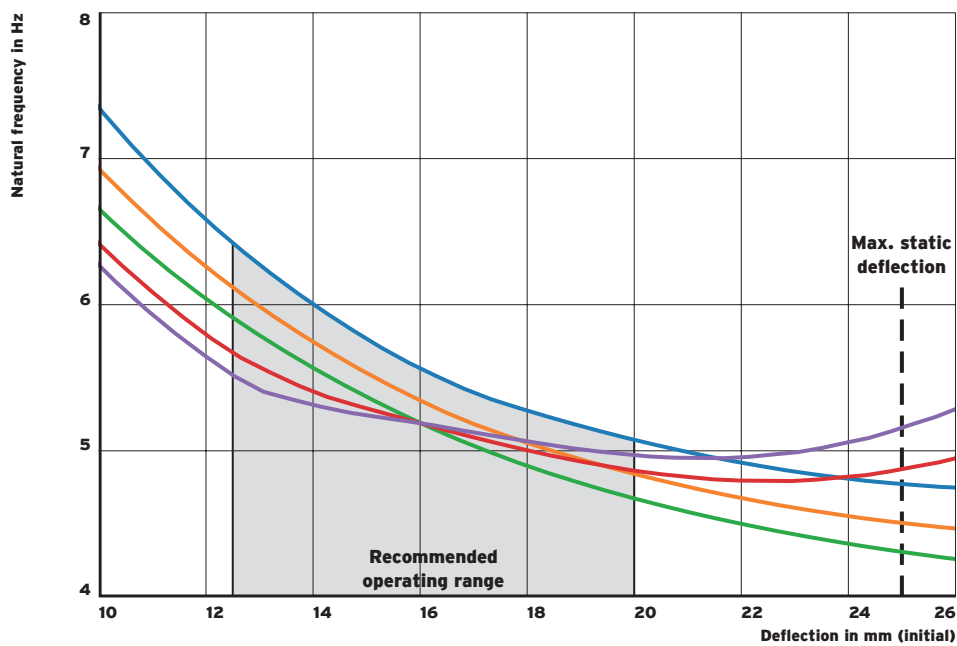
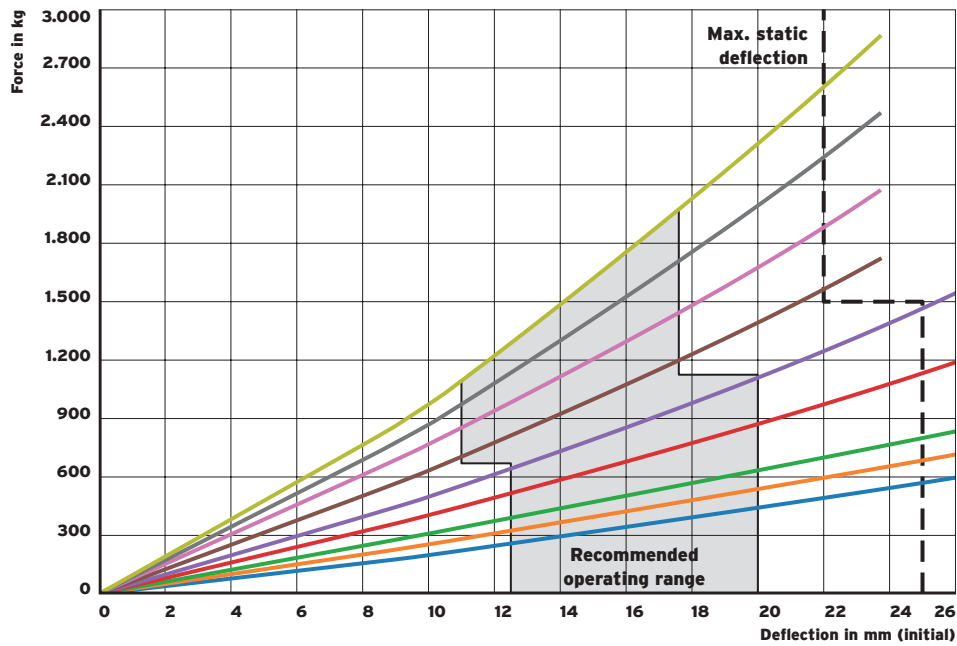
Isotop® DSD-BL 2



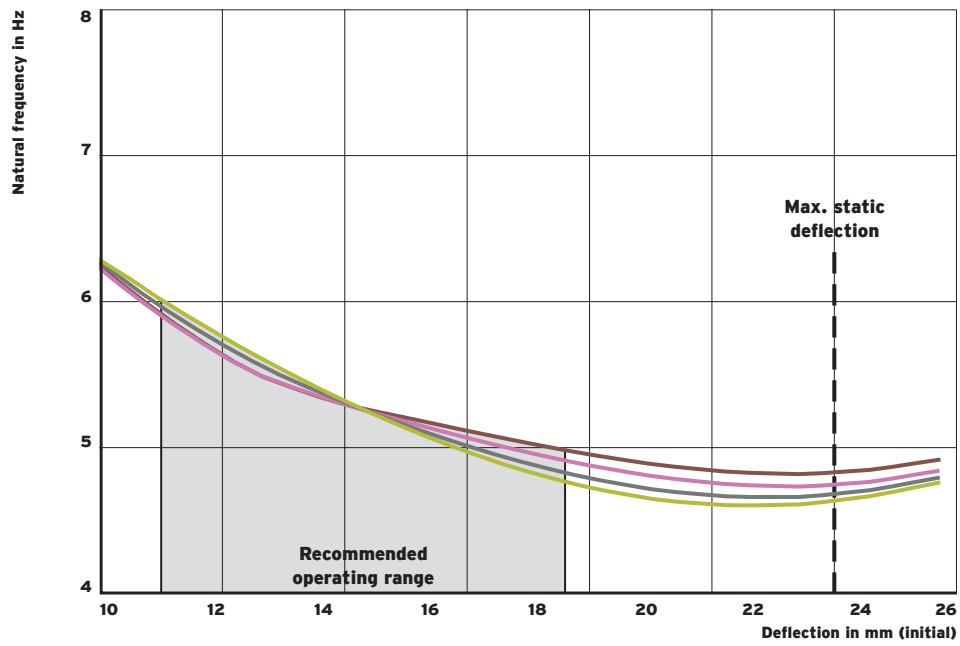
Isotop® DSD-BL 4



Isotop® DSD-BL 4



Isotop® DSD-BL 4



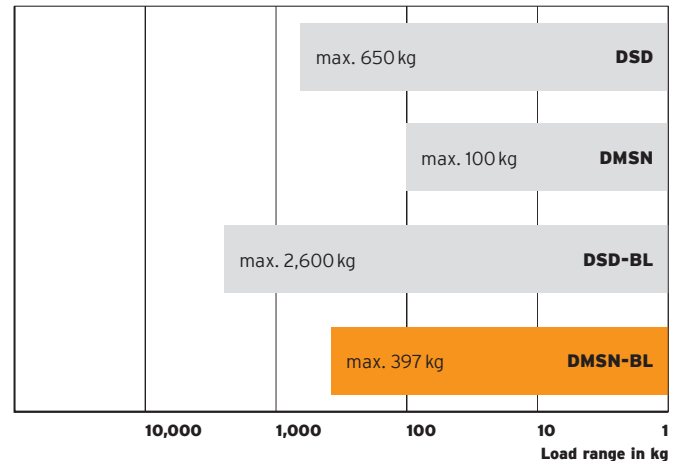
- DSD-BL4-72-82
- DSD-BL4-84-90
- DSD-BL4-82-92
- DSD-BL4-80-94

ISOTOP® DMSN-BL



Isotop® steel springs with damper core type overview

Static application range



Description

Category	Steel spring with damper core Design conforms to DIN EN 13906-1
Material	4 mm Sylomer® anti-slip plates Metal caps made of steel Spring steel 37.5 mm Sylodamp® damper core 5 mm steel pressure plates
Coating	Cathodic dip-painted springs Powder-coated pressure plates
Permissible temperature range	-30°C to +70°C
Dimensions (unloaded)	As per drawing

Product characteristics

Natural frequency from	5.3 Hz
Load range up to	397 kg / 3,894 N
Connection thread	M10 internal thread
Suitable accessories	–

Naming convention

Isotop® DMSN-BL4-72/82	
Block element with springs of type DMSN	72
Block element with 4 springs in total	82
2 springs of type DMSN7 included	
2 springs of type DMSN8 included	



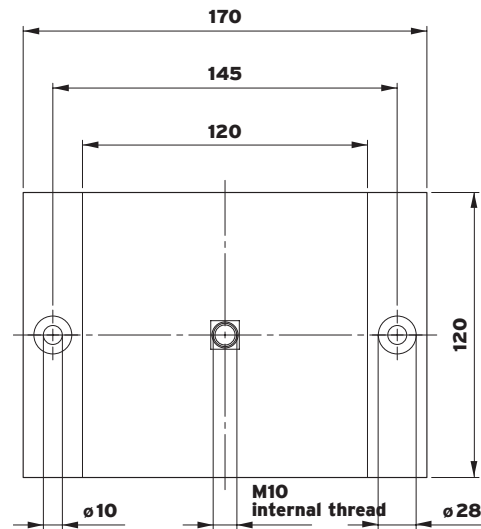
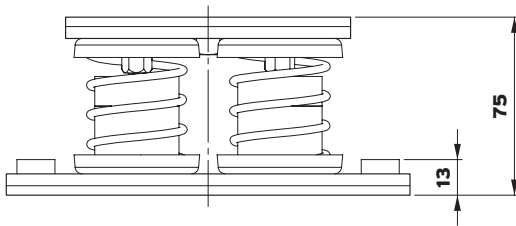
[getzner.com/
spring-mounts-dampercore](https://www.getzner.com/spring-mounts-dampercore)



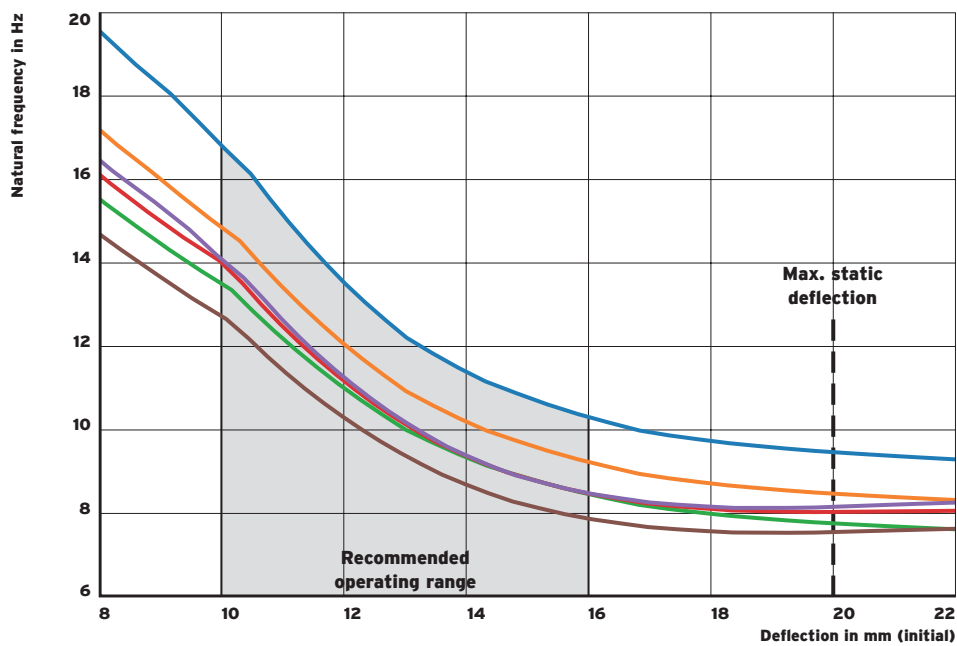
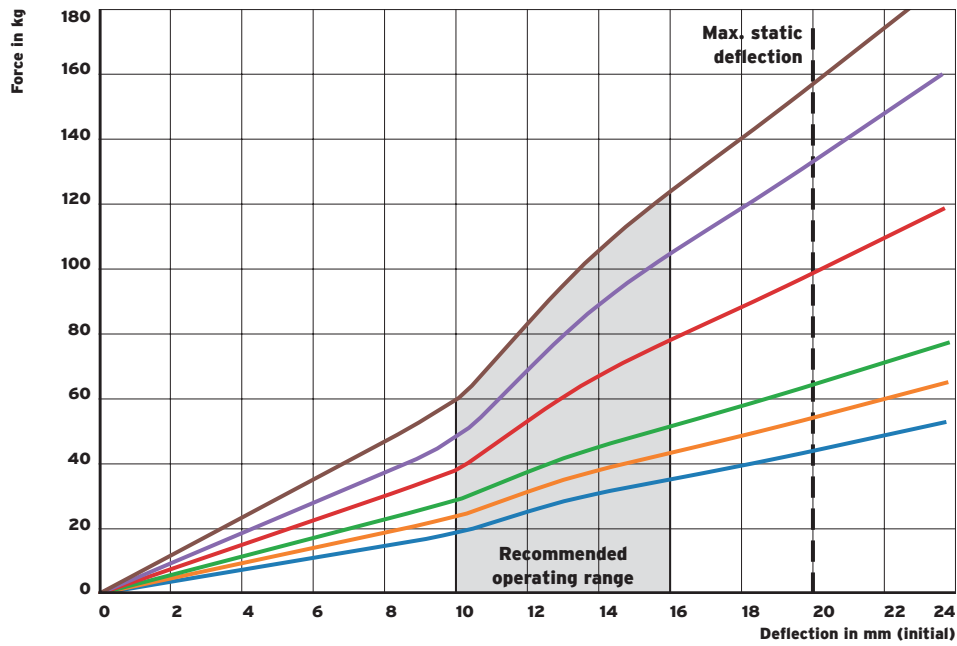
Type	Max. load		Order no.
	in kg	in N	
DMSN block element			
Isotop® DMSN-BL4-34/40	44	431	51190
Isotop® DMSN-BL4-32/42	54	529	51191
Isotop® DMSN-BL4-44/50	64	627	51192
Isotop® DMSN-BL4-42/52	98	961	51193
Isotop® DMSN-BL4-54/60	133	1,304	51194
Isotop® DMSN-BL4-52/62	156	1,530	51195
Isotop® DMSN-BL4-64/70	180	1,765	51196
Isotop® DMSN-BL4-62/72	216	2,118	47239
Isotop® DMSN-BL4-74/80	251	2,462	51197
Isotop® DMSN-BL4-72/82	324	3,178	51198
Isotop® DMSN-BL4-70/84	397	3,894	47240

Isotop® DMSN-BL 4

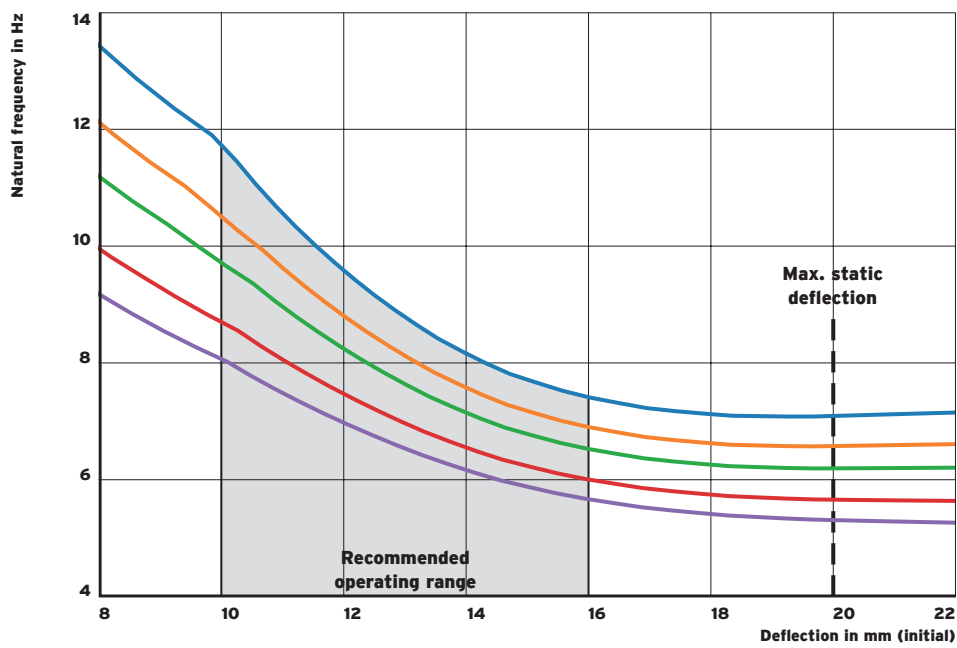
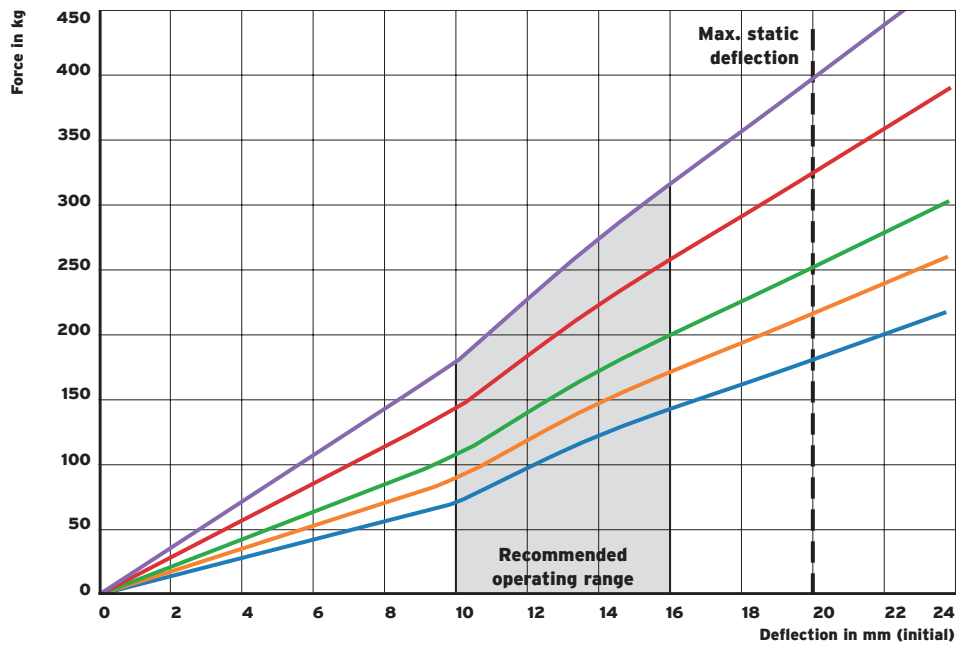
(unloaded)



Isotop® DMSN-BL 4



Isotop® DMSN-BL 4

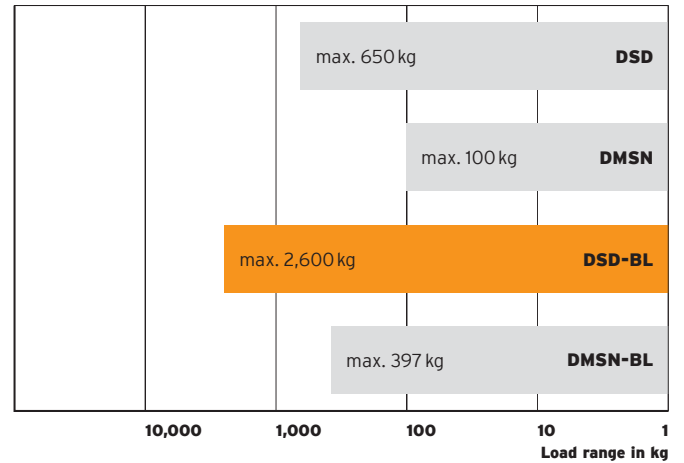


ISOTOP® DT



Isotop® steel springs with damper core type overview

Static application range



Description

Category	Spacer base with high chemical resistance
Material	Polyethylene (high resistance to chemicals such as glycol) Includes anti-slip plate made from Sylodyn®
Coating	–
Permissible temperature range	-30°C to +70°C
Dimensions (unloaded)	As per drawing

Product characteristics

Natural frequency from	–
Load range up to	2,101 kg / 20,610 N (Isotop® SD-BL 2 + SD-BL 4) 2,600 kg / 25,506 N (Isotop® DSD-BL 2 + DSD-BL 4)
Connection thread	Screws for connecting the block elements are included in the scope of supply
Suitable accessories	Isotop® SD-BL 2 + SD-BL 4 Isotop® DSD-BL 2 + DSD-BL 4 (Block element not included in the scope of supply)



[getzner.com/
spring-mounts](https://www.getzner.com/spring-mounts)



Type	Max. load		Order no.
	in kg	in N	
DT spacer base for DSD-BL2 and DSD-BL4			
Isotop® DT	-	-	47169

Isotop® DT
(unloaded)

