

ISOTOP® STEEL SPRINGS

DATASHEET



Quickly find the right Isotop® machine bearing for your application with the EquipCalc selection program from Getzner.



Register online now
apps.getzner.com

PRODUCT BENEFITS

- Excellent isolation properties due to low natural frequency
- Ideal for applications with low excitation frequencies in industrial environments
- Standard overall heights across the product family offer advantages during installation and reduce the workload when reconfiguring systems

All information and data are based on our current knowledge. It can be used in calculations and for reference purposes, but is subject to product-specific and application-specific manufacturing tolerances and does not represent warranted properties. Material properties and their tolerances vary depending on the type of application and load and are available from Getzner on request. Subject to change without notice.

For further general information, see VDI Directive 2062 and glossary.
Further characteristic values available on request.

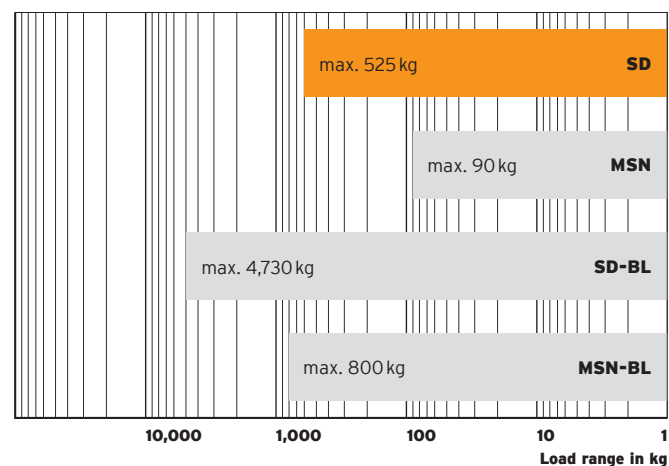
getzner

ISOTOP® SD



Isotop® type overview

Static application range



Description

Category	Steel spring Design conforms to DIN EN 13906-1
Material	Metal caps made of steel, spring steel
Dimensions	H 94 mm / D 70 mm

Product characteristics

Natural frequency from	3.2 Hz
Load range	0–525 kg / 5,150 N
Overall height, unloaded	94 mm
Connection thread	M10 internal thread
Coating	Electro-galvanised Alternatively, cathodic dip-painted
Permissible temperature range	-30 °C to +70 °C
Suitable accessories	Isotop FP/K 1-9 ¹ Isotop FP/K 1-9 KTL ¹ Isotop FP 1-9 ² Isotop FP 1-9 KTL ² Isotop NV 1-9

¹ incl. M10 connecting screws between base plate and spring

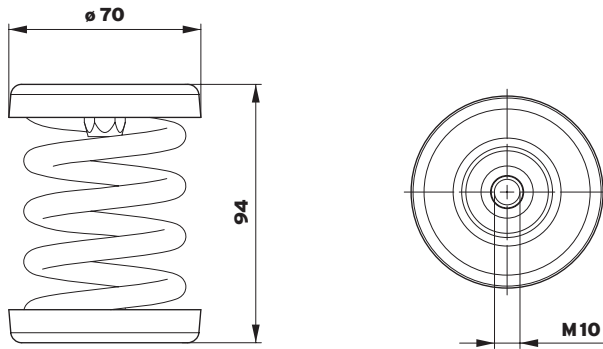
² without M10 connecting screws between base plate and spring



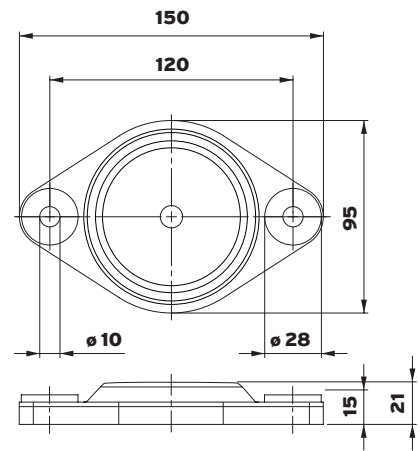
[getzner.com/
spring-mounts](https://www.getzner.com/spring-mounts)

by getzner
isotop®

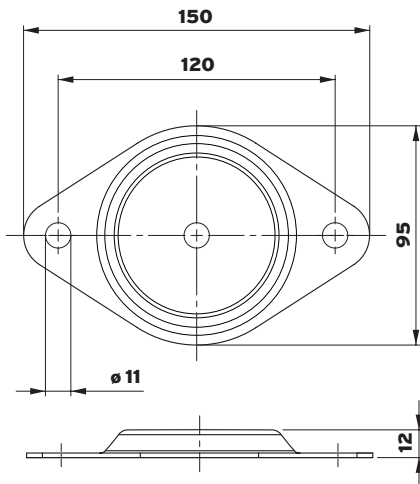
Isotop® SD
(unloaded)



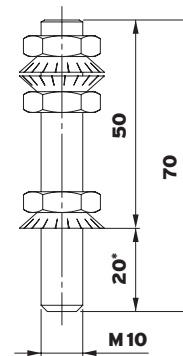
Isotop® FP/K



Isotop® FP

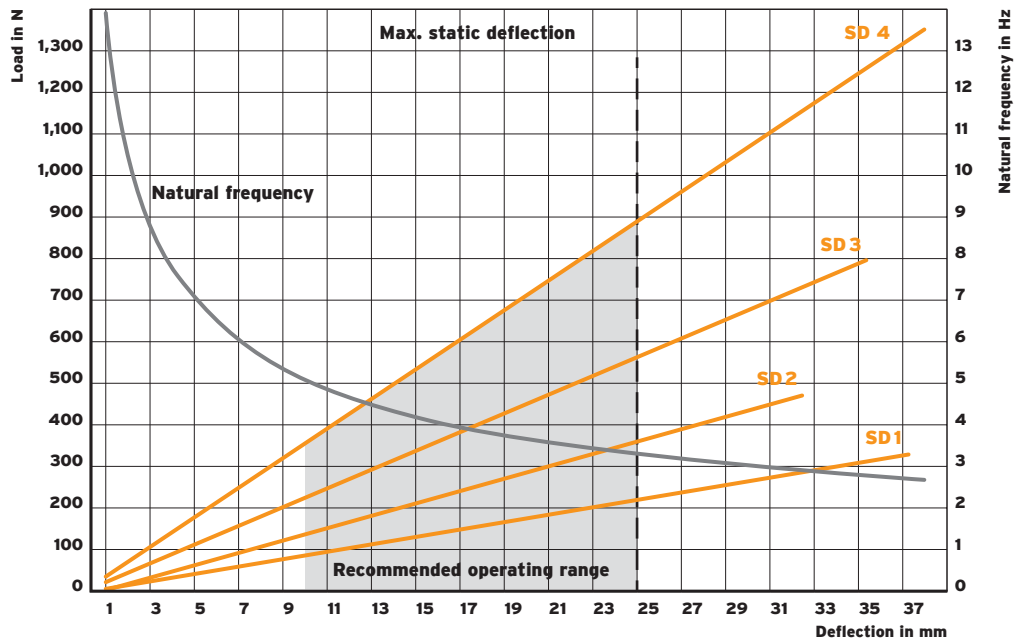


Isotop® NV1-9

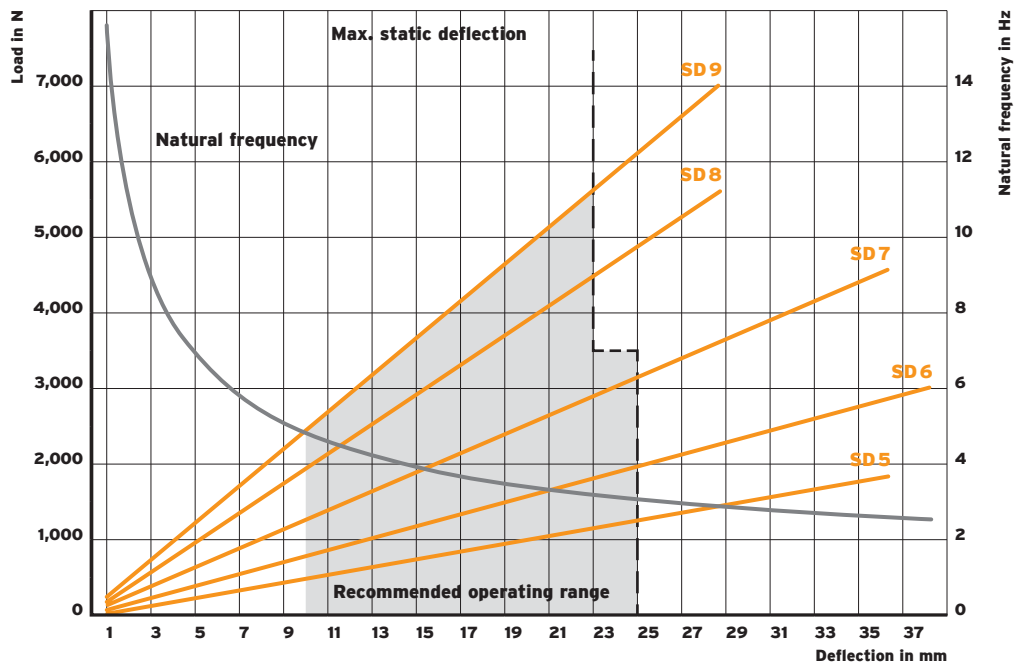


*Thread reach SD/DSD

Isotop® SD 1-4



Isotop® SD 5-9

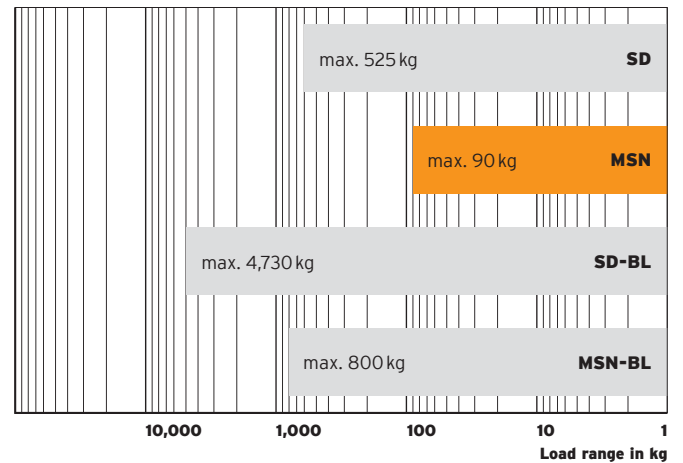


ISOTOP® MSN



Isotop® type overview

Static application range



Description

Category	Steel spring Design conforms to DIN EN 13906-1
Material	Metal caps made of steel, spring steel
Dimensions	H 57 mm / D 52 mm

Product characteristics

Natural frequency from	3.5 Hz
Load range	0–90 kg / 883 N
Overall height, unloaded	57 mm
Connection thread	M8 internal thread
Coating	Electro-galvanised, alternatively, cathodic dip-painted
Permissible temperature range	-30 °C to +70 °C
Suitable accessories	Isotop NV 1-8 MSN

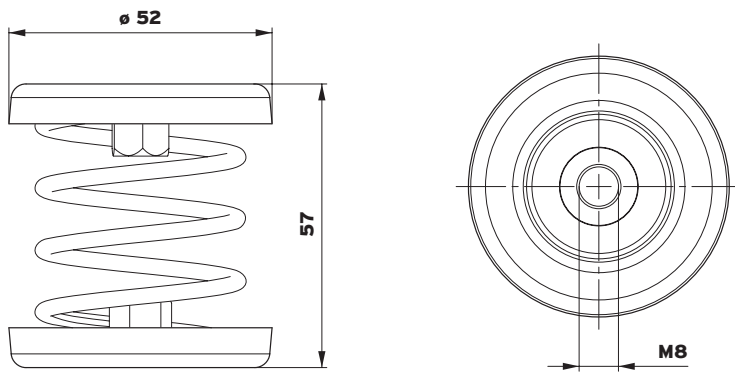
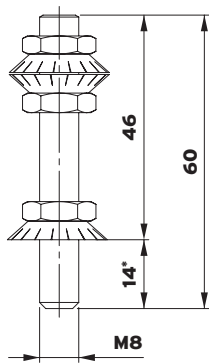


[getzner.com/
spring-mounts](https://www.getzner.com/spring-mounts)

by getzner
isotop®

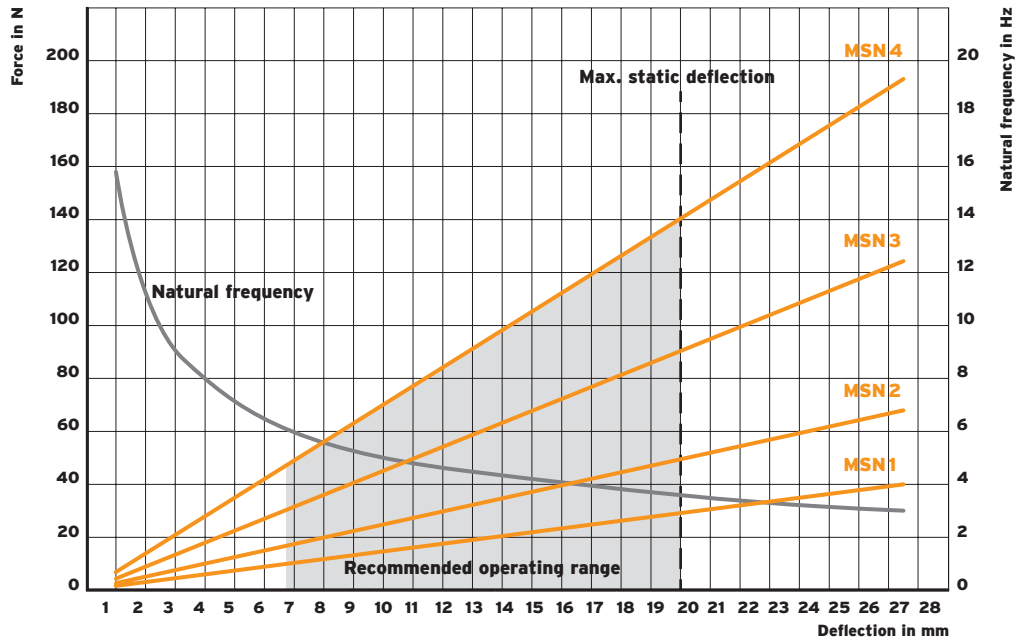
Isotop® MSN

(unloaded)

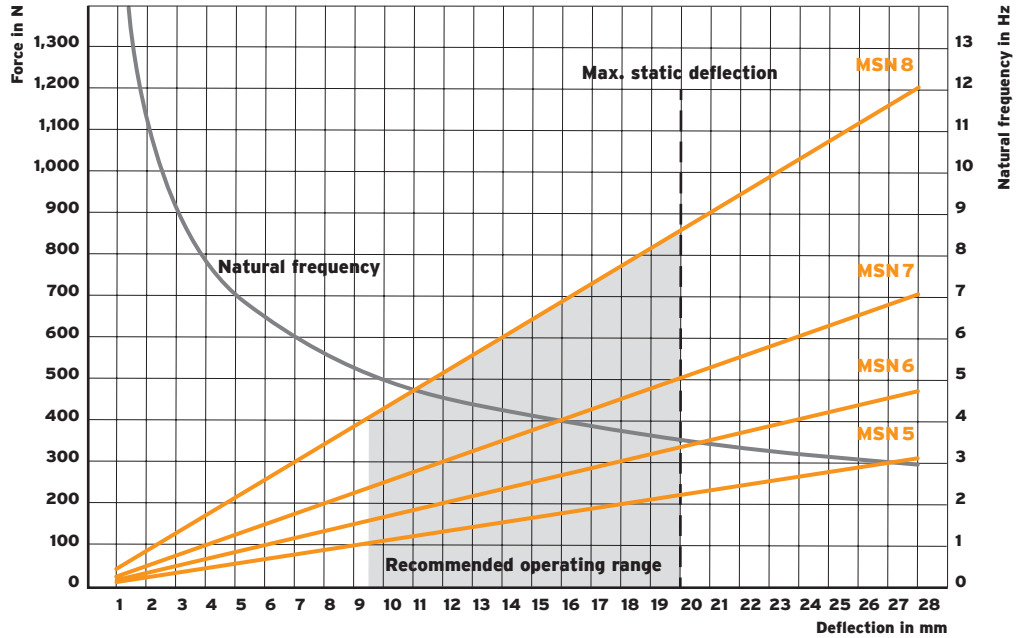
**Isotop® NV 1-8 MSN**

* Thread reach MSN/DMSN

Isotop® MSN 1-4



Isotop® MSN 5-8

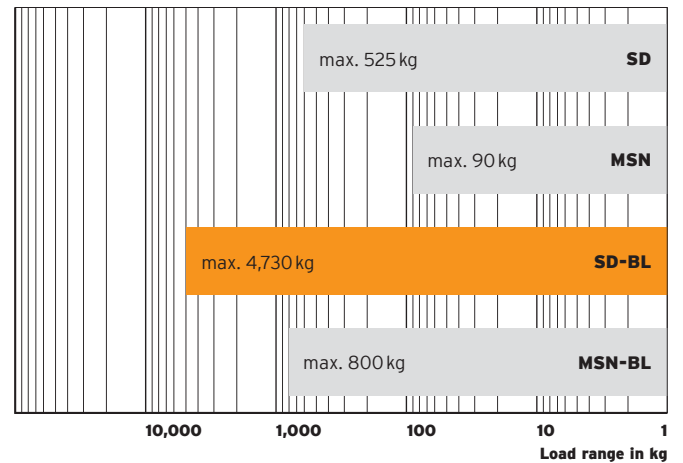


ISOTOP® SD-BL



Isotop® type overview

Static application range



Description

Category	Steel spring Custom version available
Material	4 mm Sylomer® anti-slip plates Metal caps made of steel Spring steel 6 mm steel pressure plates
Dimensions	As per drawing

Product characteristics

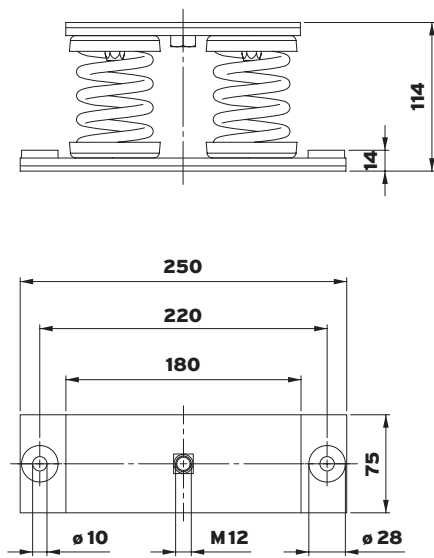
Natural frequency from	3.2 Hz
Load range	0–4,730 kg / 46,401 N
Overall height, unloaded	114 mm
Connection thread	M12 internal thread
Coating	Cathodic dip-painted springs Powder-coated pressure plates
Permissible temperature range	-30 °C to +70 °C
Suitable accessories	Isotop® DT (SD-BL 2 and SD-BL 4)



[getzner.com/
spring-mounts](https://www.getzner.com/spring-mounts)

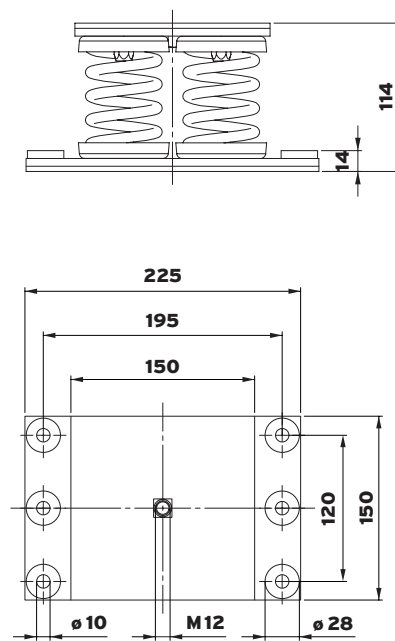
Isotop® SD-BL 2

(unloaded)



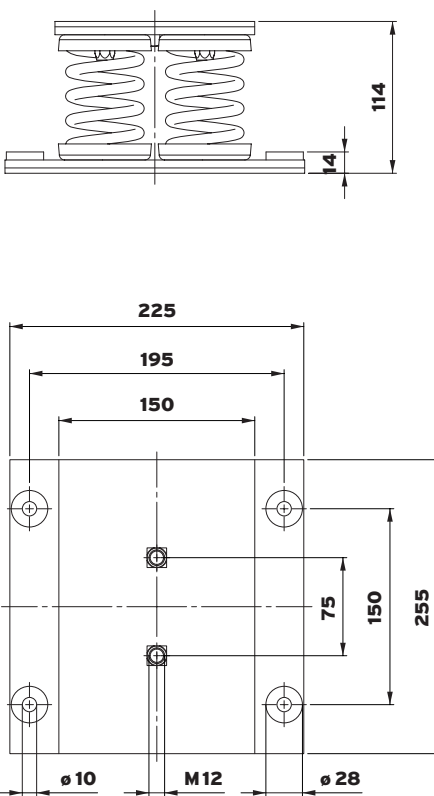
Isotop® SD-BL 4

(unloaded)



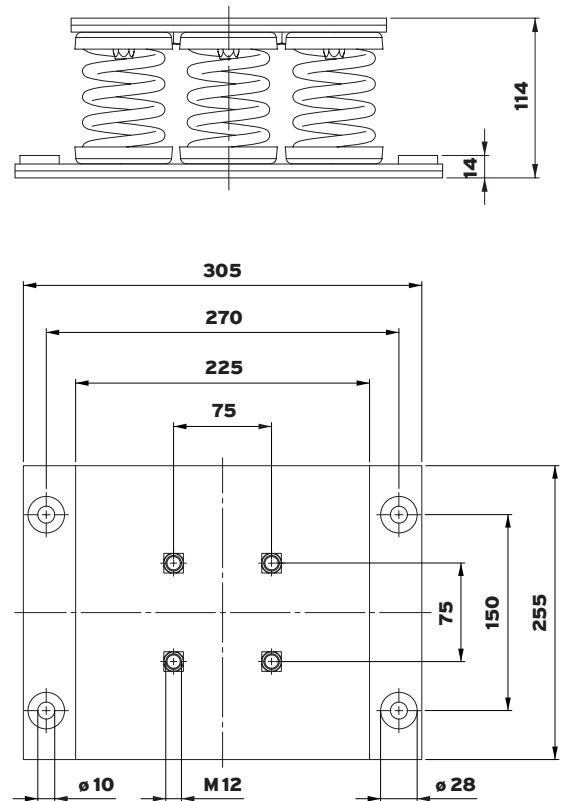
Isotop® SD-BL 6

(unloaded)

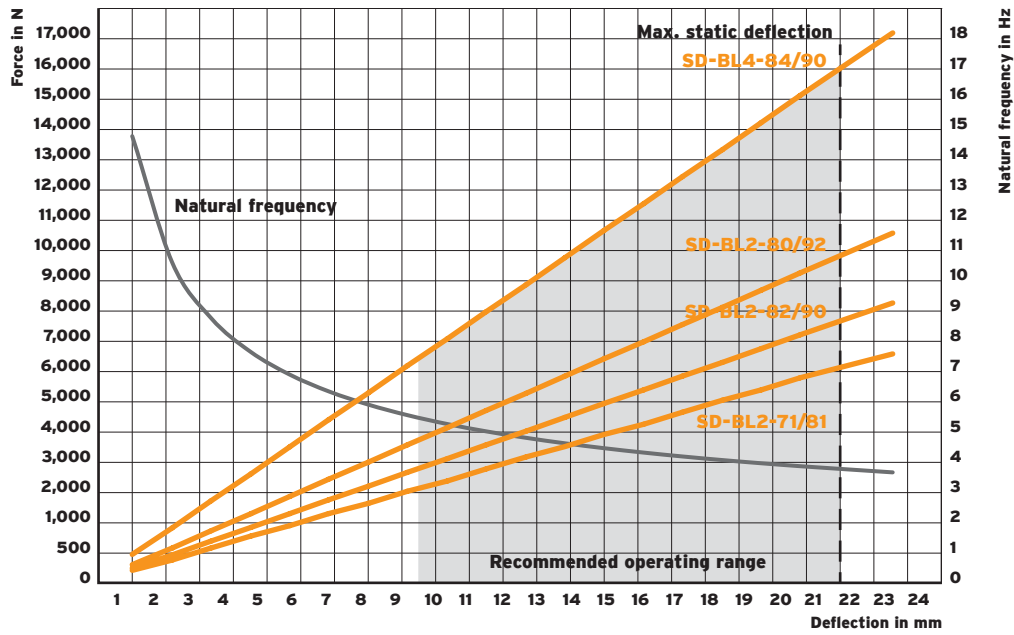


Isotop® SD-BL 9

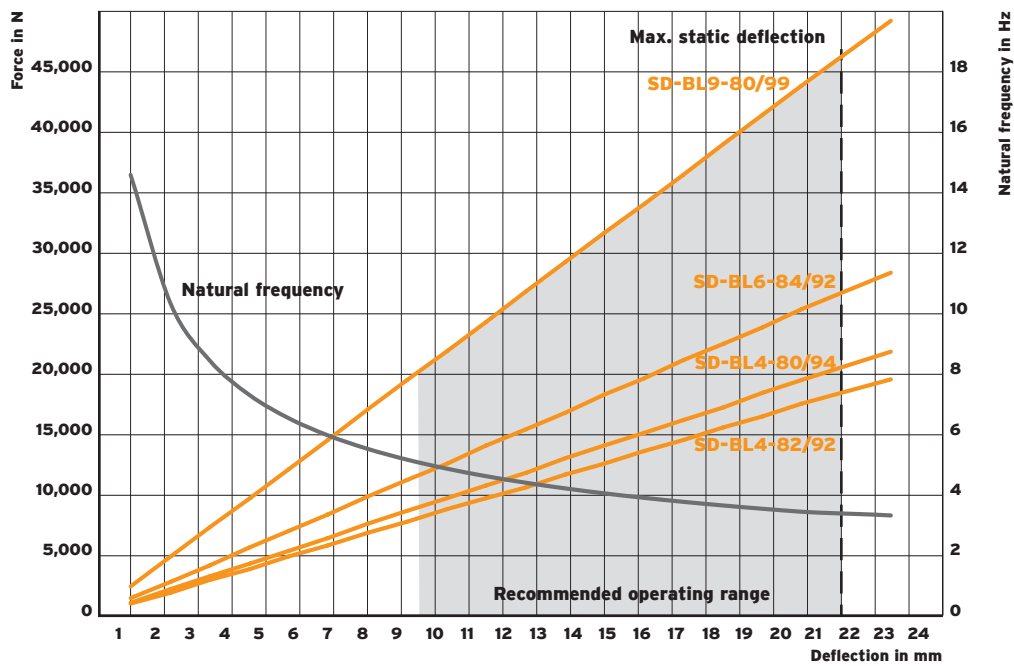
(unloaded)



Isotop® SD-BL 2 + SD-BL 4



Isotop® SD-BL 4 + SD-BL 6 + SD-BL 9

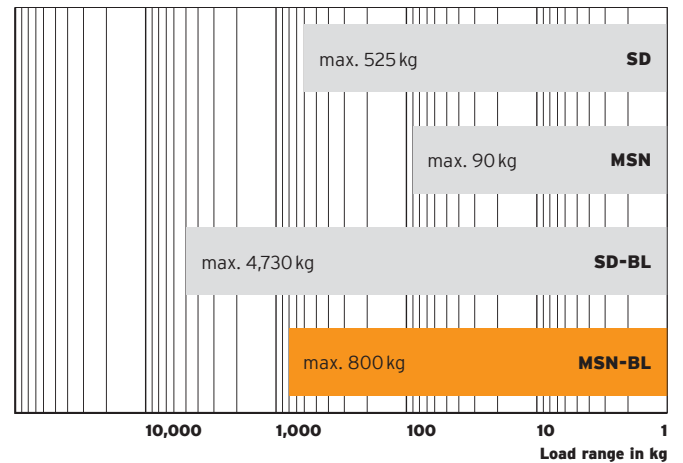


ISOTOP® MSN-BL



Isotop® type overview

Static application range



Description

Category	Steel spring Design conforms to DIN EN 13906-1
Material	4 mm Sylomer® anti-slip plates Metal caps made of steel Spring steel 5 mm steel pressure plates
Dimensions	As per drawing

Product characteristics

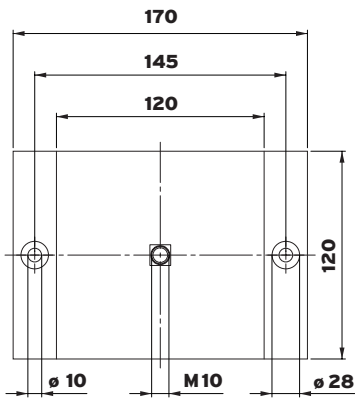
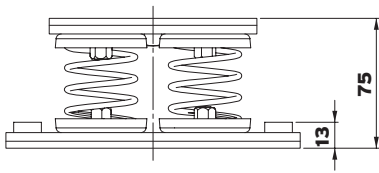
Natural frequency from	3.5 Hz
Load range	0–800 kg / 7,848 N
Overall height, unloaded	75 mm
Connection thread	M10 internal thread
Coating	Cathodic dip-painted springs and metal caps Powder-coated pressure plates
Permissible temperature range	-30°C to +70°C
Suitable accessories	–



[getzner.com/
spring-mounts](https://www.getzner.com/spring-mounts)

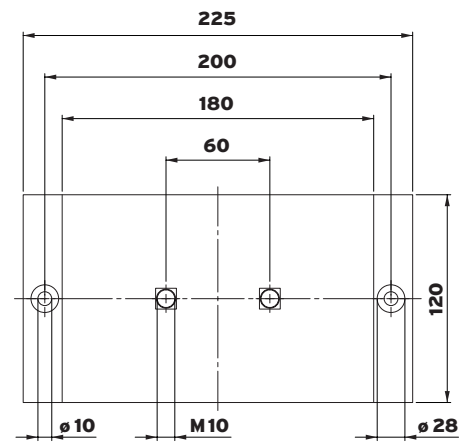
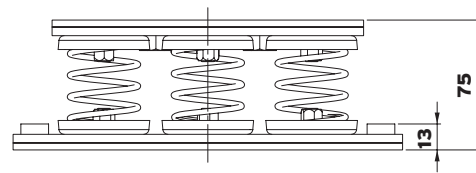
Isotop® MSN-BL 4

(unloaded)



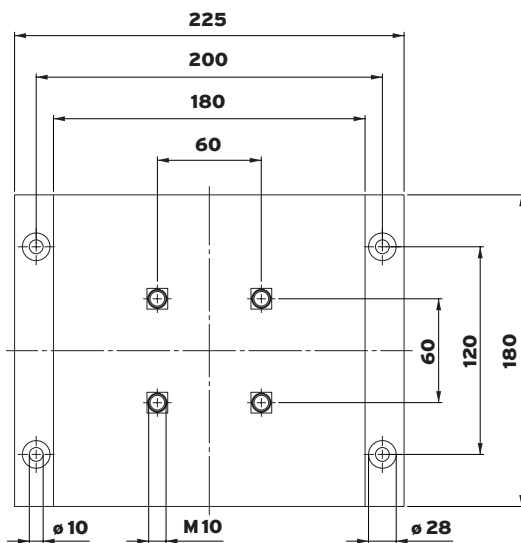
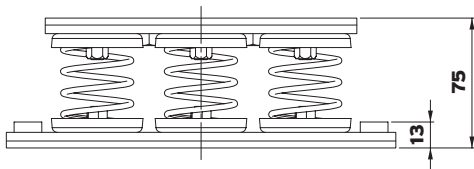
Isotop® MSN-BL 6

(unloaded)

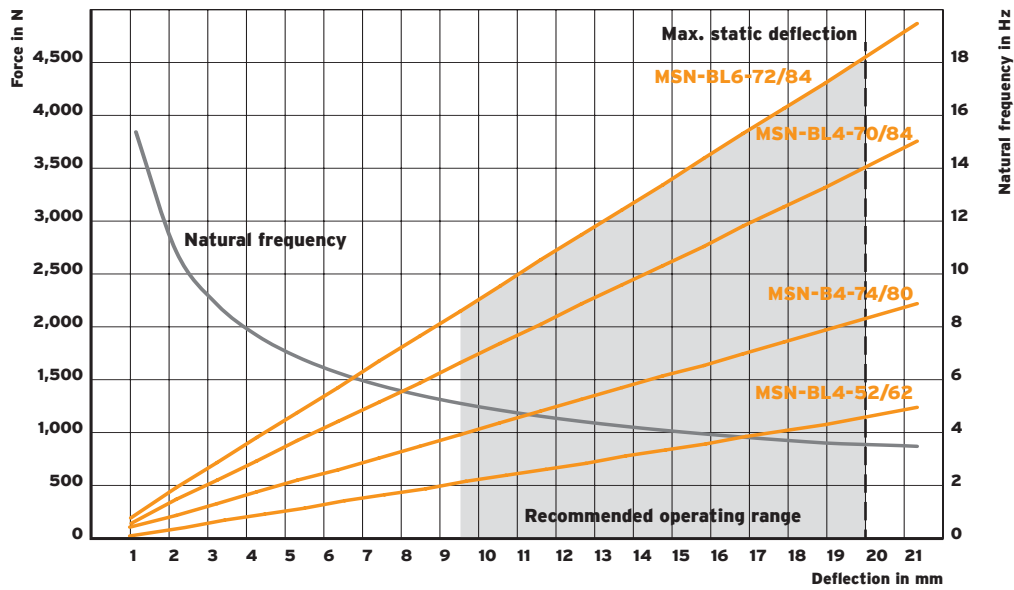


Isotop® MSN-BL 9

(unloaded)



Isotop® MSN-BL 4 + MSN-BL 6



Isotop® MSN-BL 6 + MSN-BL 9

