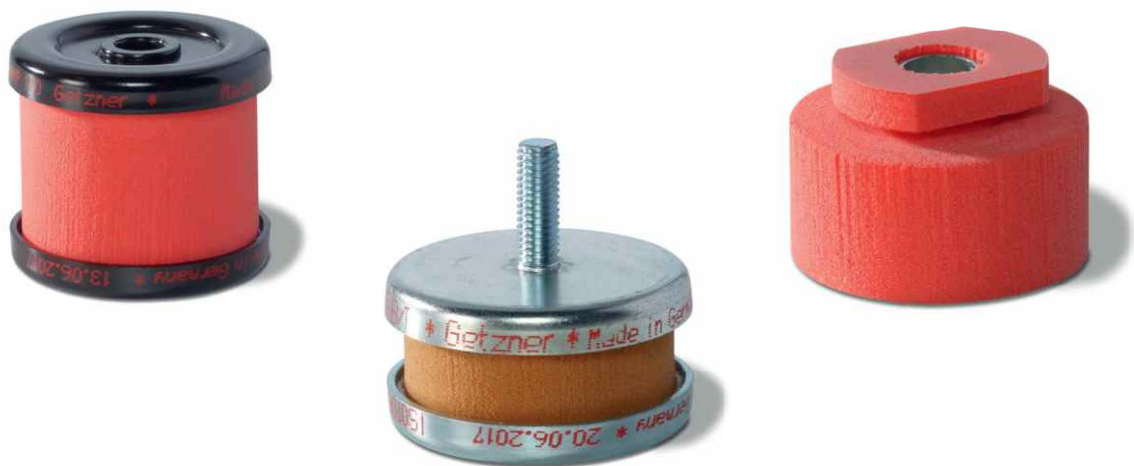


ISOTOP® VIBRATION DAMPERS

DATASHEET



Quickly find the right Isotop® machine bearing for your application with the EquipCalc selection program from Getzner.



Register online now
apps.getzner.com

PRODUCT BENEFITS

- Optimum stability and a low natural frequency
- Reduction in primary and secondary airborne noise
- Easy to install and extremely durable

All information and data are based on our current knowledge. It can be used in calculations and for reference purposes, but is subject to product-specific and application-specific manufacturing tolerances and does not represent warranted properties. Material properties and their tolerances vary depending on the type of application and load and are available from Getzner on request. Subject to change without notice.

For further general information, see VDI Directive 2062 and glossary.
Further characteristic values available on request.

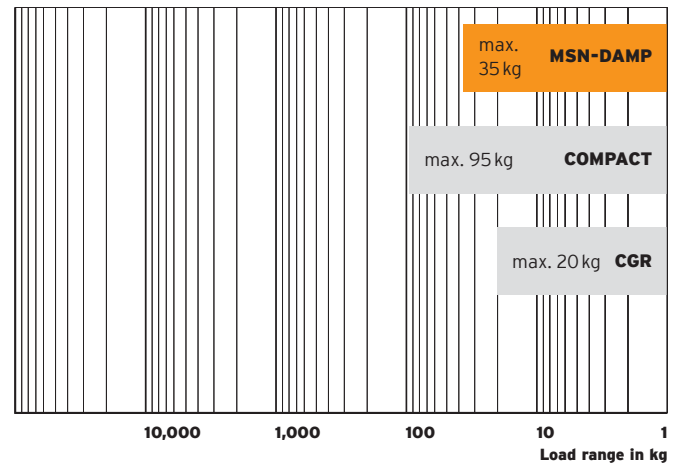
getzner

ISOTOP® MSN-DAMP



Isotop® type overview

Static application range



Description

Category	Vibration dampers Three different attachment options
Material	Metal caps made of steel 37.5 mm Sylomer® / Sylodyn® isolating layer
Dimensions	As per drawing

Product characteristics

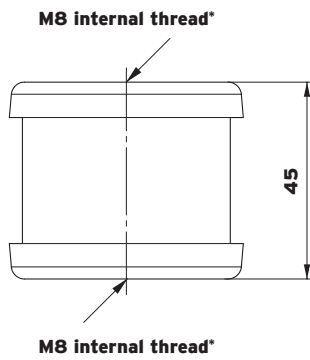
Natural frequency from	7.4 Hz
Load range	0-35 kg / 343 N
Overall height, unloaded	45 mm
Connection thread	As per drawing
Coating	Zinc nickel (metal caps)
Permissible temperature range	-30°C to +70°C
Suitable accessories	-



[getzner.com/
vibration-damper](https://www.getzner.com/vibration-damper)

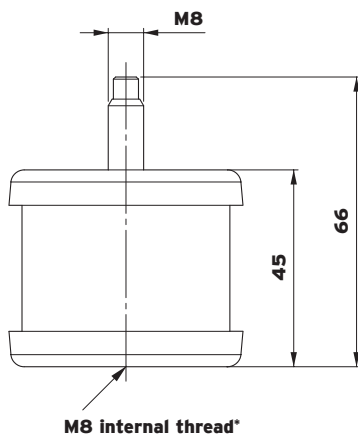
Isotop® MSN-DAMP T/T

(unloaded)



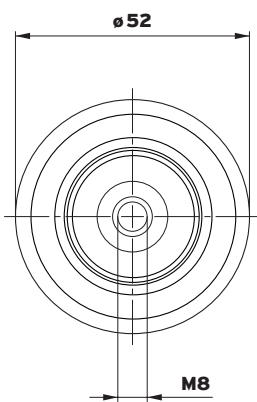
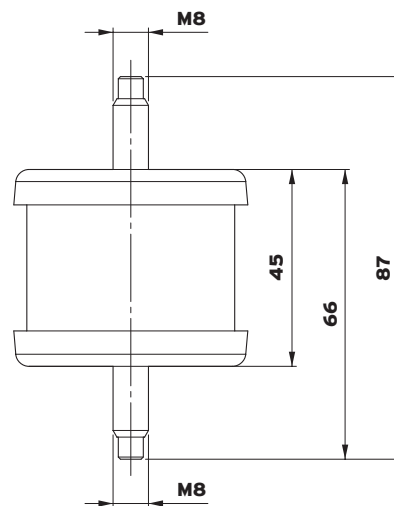
Isotop® MSN-DAMP B/T

(unloaded)



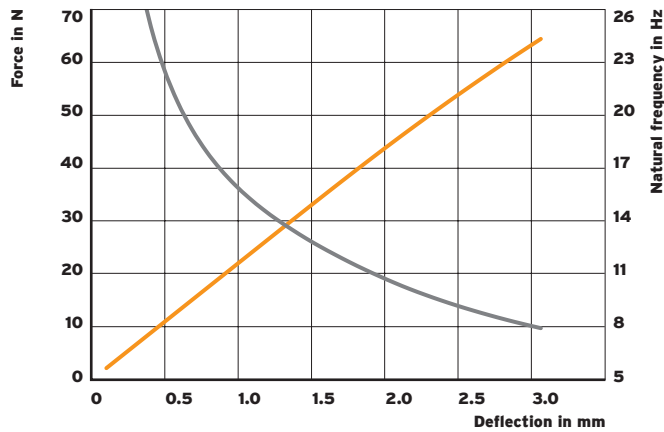
Isotop® MSN-DAMP B/B

(unloaded)

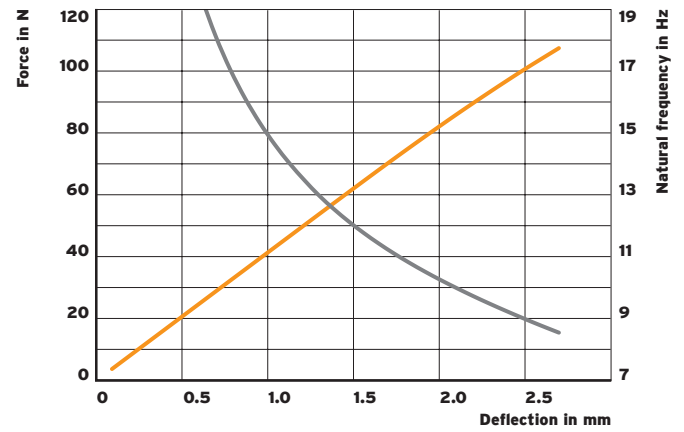


*Thread reach into the internal thread
max. approx. 15mm

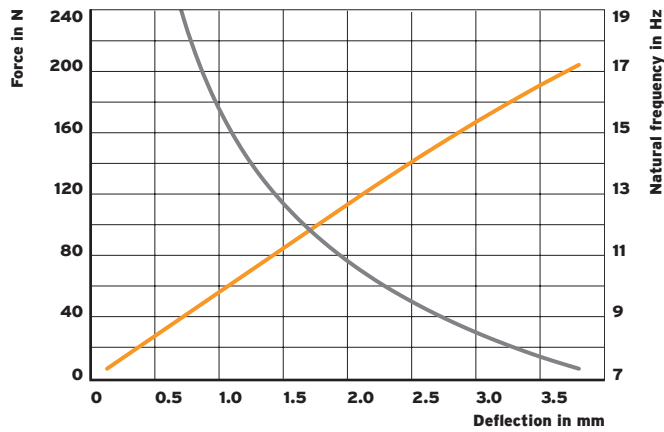
Isotop® MSN-DAMP 70



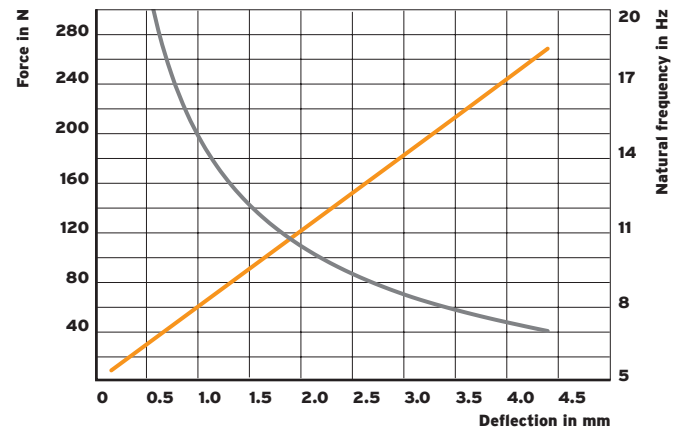
Isotop® MSN-DAMP 110



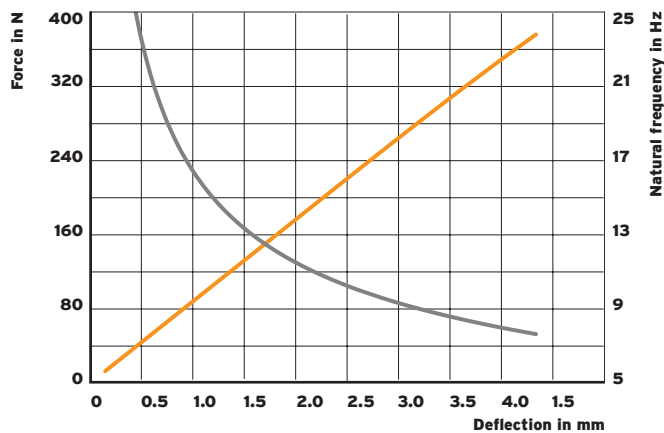
Isotop® MSN-DAMP 170



Isotop® MSN-DAMP 280



Isotop® MSN-DAMP 350



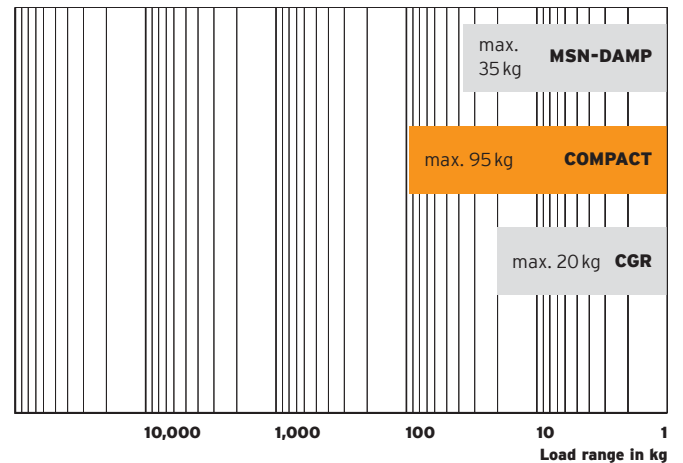
— Force in N
— Natural frequency in Hz

ISOTOP® COMPACT



Isotop® type overview

Static application range



Description

Category	Vibration dampers Four different attachment options
Material	Metal caps made of steel 25 mm Sylomer® / Sylodyn® isolating layer
Dimensions	As per drawing

Product characteristics

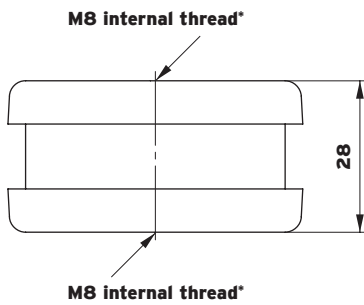
Natural frequency from	9.9 Hz
Load range	0-95 kg / 931 N
Overall height, unloaded	28 mm
Connection thread	As per drawing
Coating	Zinc nickel (metal caps)
Permissible temperature range	-30°C to +70°C
Suitable accessories	-



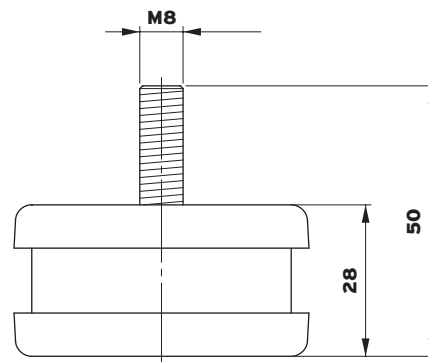
[getzner.com/
vibration-damper](https://www.getzner.com/vibration-damper)

by getzner
isotop®

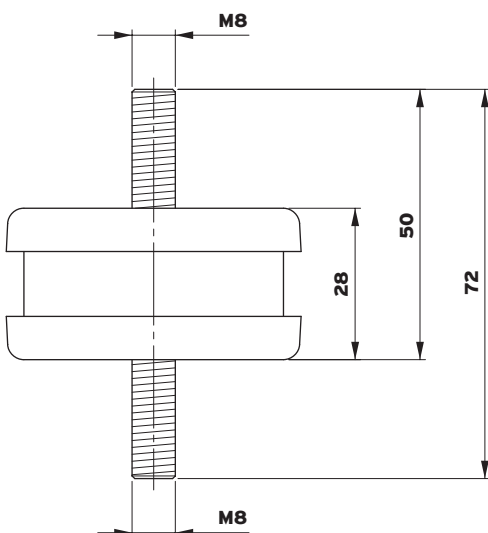
Isotop® COMPACT T/T
(unloaded)



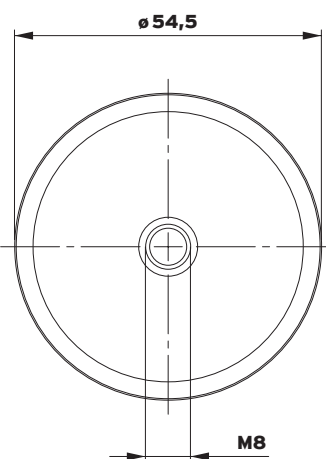
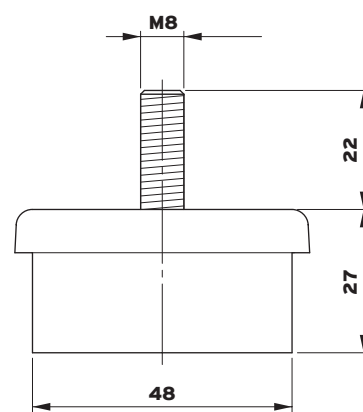
Isotop® COMPACT B/T
(unloaded)



Isotop® COMPACT B/B
(unloaded)

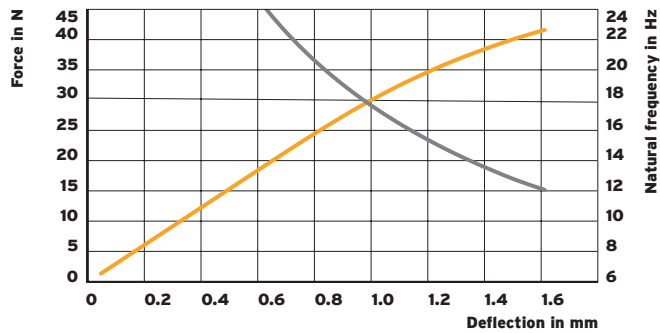


Isotop® COMPACT B/-
(unloaded)

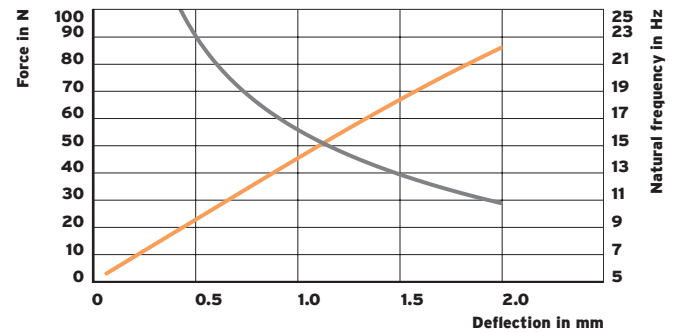


*Thread reach for internal thread
max. 7 mm

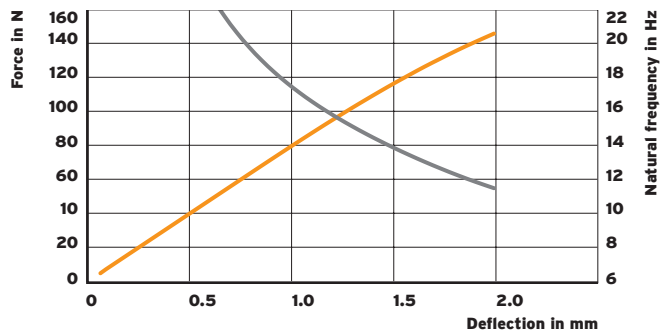
Isotop® COMPACT 4



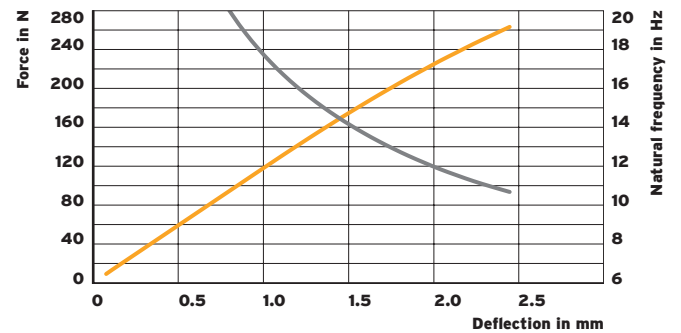
Isotop® COMPACT 9



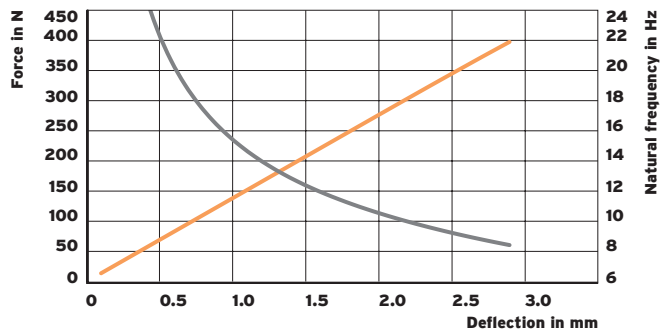
Isotop® COMPACT 15



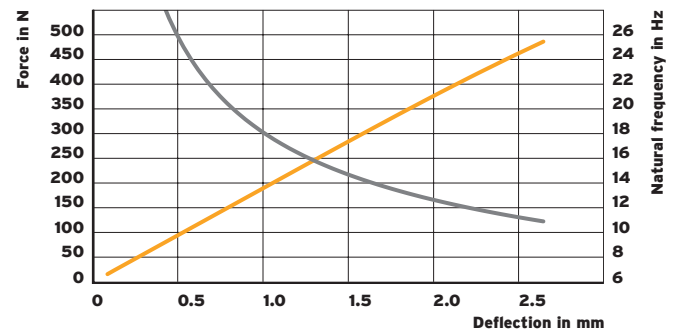
Isotop® COMPACT 20



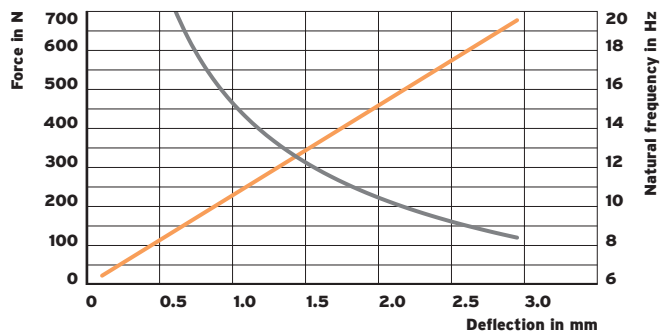
Isotop® COMPACT 40



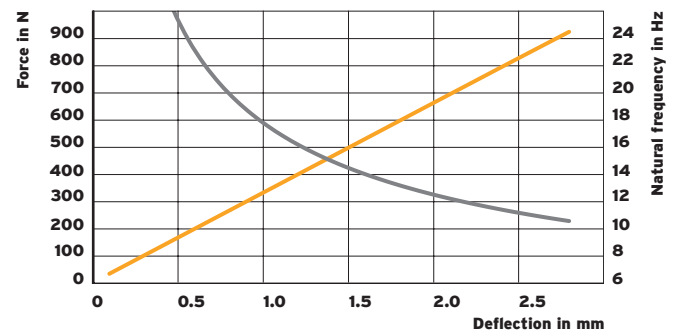
Isotop® COMPACT 50



Isotop® COMPACT 70

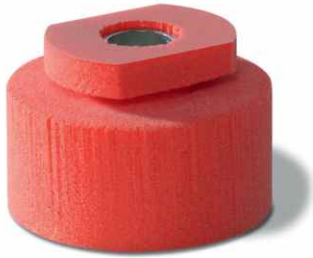


Isotop® COMPACT 100



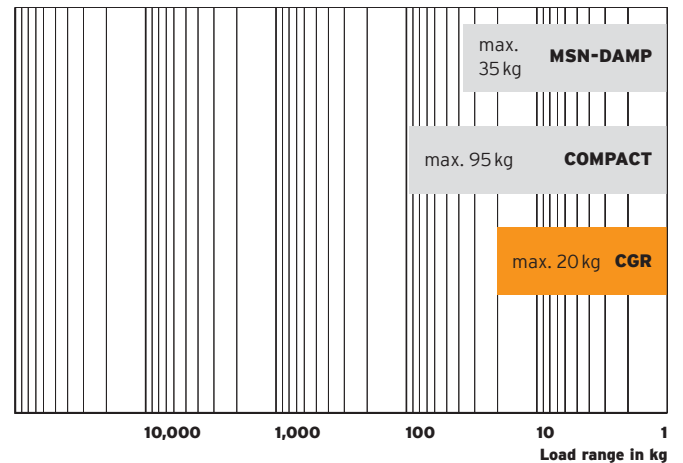
— Force in N — Natural frequency in Hz

SYLOMER® COMPRESSOR GROMMET CGR



Isotop® type overview

Static application range



Description

Category	Vibration dampers Custom version available
Material	Aluminium (sleeve) 18 mm Sylomer® isolating layer
Dimensions	As per drawing

Product characteristics

Natural frequency from	12.7 Hz
Load range	0-20 kg / 196 N
Overall height, unloaded	25 mm
Connection thread	Suitable for M8 screws
Coating	-
Permissible temperature range	-30°C to +70°C
Suitable accessories	-



[getzner.com/
vibration-damper](https://www.getzner.com/vibration-damper)

Sylomer® COMPRESSOR GROMMET CGR
(unloaded)

