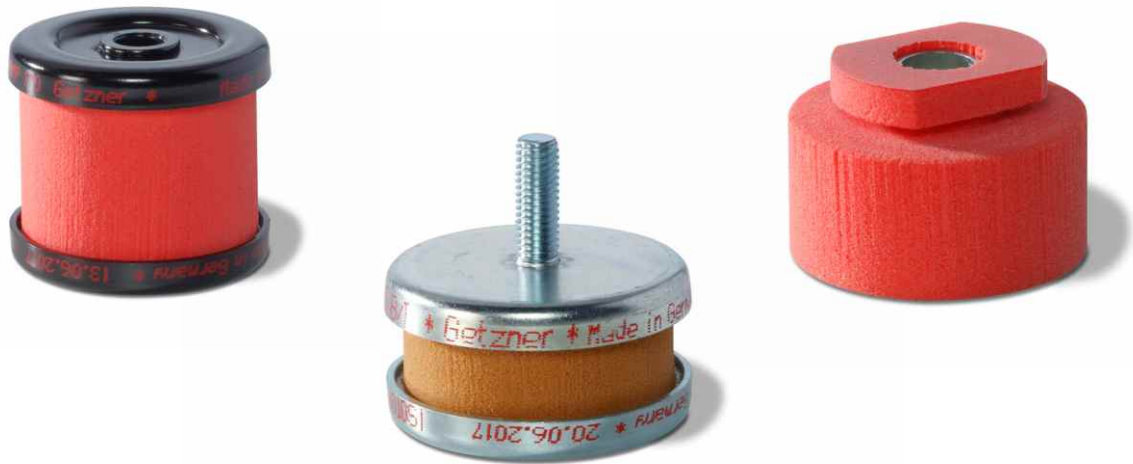


# ISOTOP® VIBRATION DAMPERS

## DATA SHEET



Quickly find the right Isotop® machine bearing for your application with the EquipCalc selection program from Getzner.



Register online now  
[apps.getzner.com](https://apps.getzner.com)

## PRODUCT BENEFITS

- Optimum stability and a low natural frequency
- Reduction in primary and secondary airborne noise
- Easy to install and extremely durable

All information and data are based on our current knowledge. It can be used in calculations and for reference purposes, but is subject to product-specific and application-specific manufacturing tolerances and does not represent warranted properties. Material properties and their tolerances vary depending on the type of application and load and are available from Getzner on request. Subject to change without notice.

For further general information, see VDI Directive 2062 and glossary.  
Further characteristic values available on request.

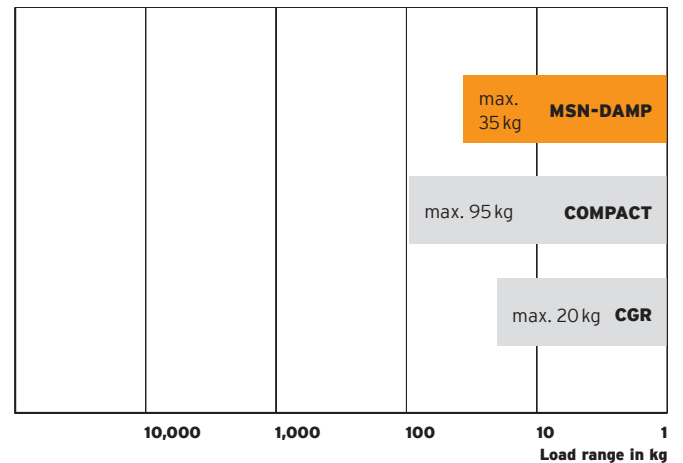
**getzner**

# ISOTOP® MSN-DAMP



## Isotop® vibration dampers type overview

Static application range



## Description

<b>Category</b>	Vibration dampers Three different attachment options
<b>Material</b>	Metal caps made of steel 37.5 mm Sylomer® / Sylodyn® isolating layer
<b>Coating</b>	Zinc nickel (metal caps)
<b>Permissible temperature range</b>	-30 °C to +70 °C
<b>Dimensions (unloaded)</b>	As per drawing

## Product characteristics

<b>Natural frequency from</b>	7.4 Hz
<b>Load range up to</b>	35 kg / 343 N
<b>Connection thread</b>	As per drawing
<b>Suitable accessories</b>	-



[getzner.com/  
vibration-damper](https://www.getzner.com/vibration-damper)



Type	Max. Load		Order No.
	in kg	in N	
<b>MSN-DAMP T/T</b>			
Isotop® MSN-DAMP-70 T/T	6	59	49767
Isotop® MSN-DAMP-110 T/T	10	98	49768
Isotop® MSN-DAMP-170 T/T	19	187	49769
Isotop® MSN-DAMP-280 T/T	25	246	49771
Isotop® MSN-DAMP-350 T/T	35	343	49773

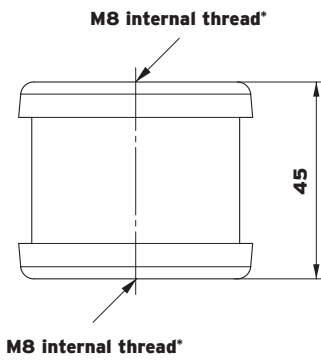


<b>MSN-DAMP B/T</b>			
Isotop® MSN-DAMP-70 B/T	6	59	49784
Isotop® MSN-DAMP-110 B/T	10	98	49774
Isotop® MSN-DAMP-170 B / T	19	187	49775
Isotop® MSN-DAMP-280 B/T	25	246	49777
Isotop® MSN-DAMP-350 B/T	35	343	49778

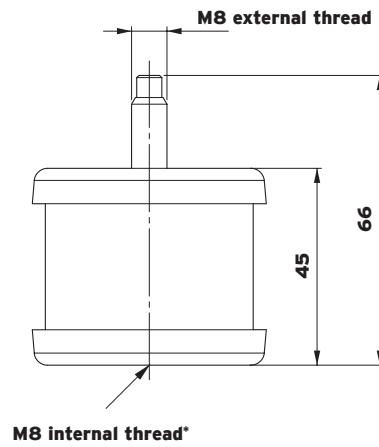


<b>MSN-DAMP B/B</b>			
Isotop® MSN-DAMP-70 B/B	6	59	49779
Isotop® MSN-DAMP-110 B/B	10	98	49780
Isotop® MSN-DAMP-170 B / B	19	187	49781
Isotop® MSN-DAMP-280 B/B	25	246	49782
Isotop® MSN-DAMP-350 B/B	35	343	49783

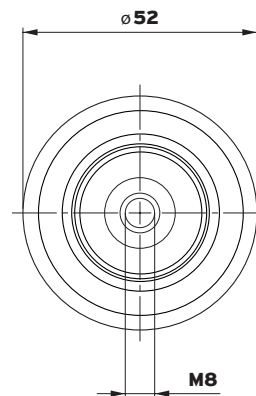
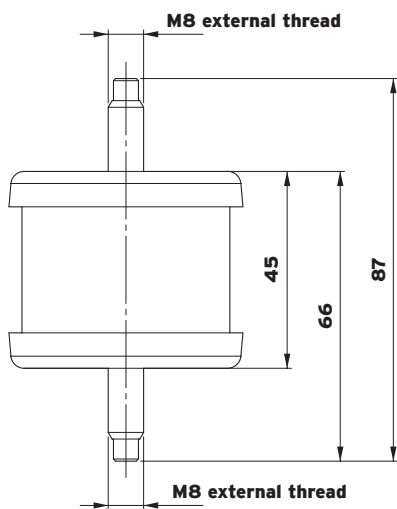
**Isotop® MSN-DAMP T/T**  
(unloaded)



**Isotop® MSN-DAMP B/T**  
(unloaded)

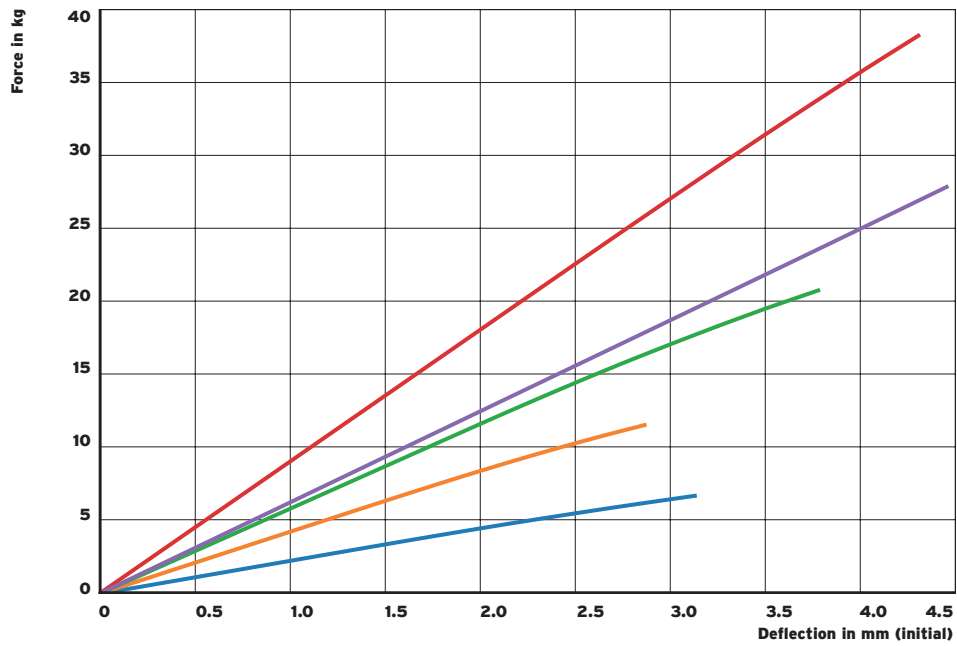


**Isotop® MSN-DAMP B/B**  
(unloaded)

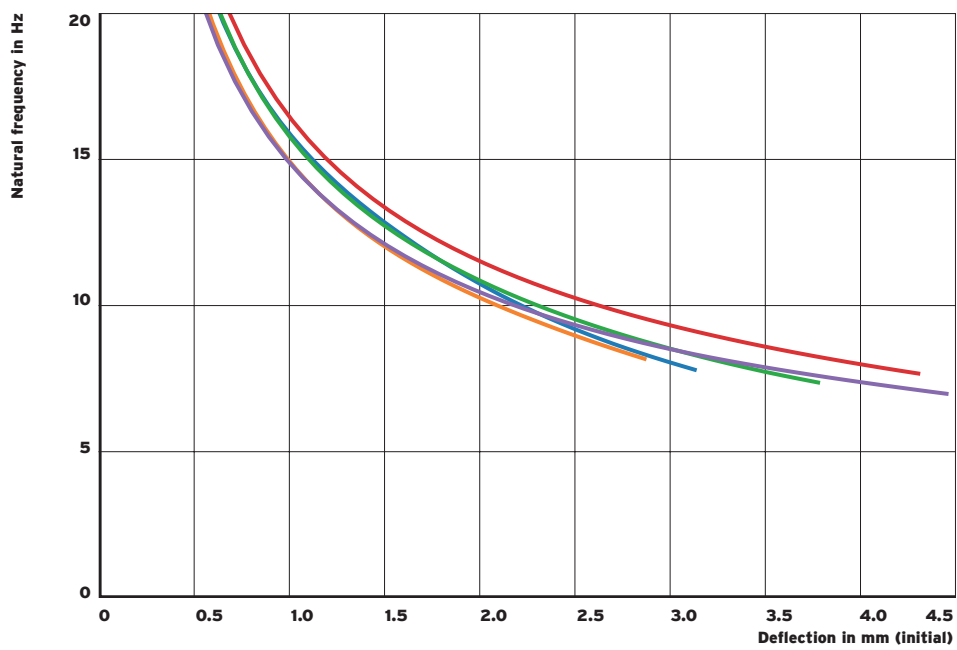


\*Thread reach into the internal thread  
max. approx. 15 mm

**Isotop® MSN-DAMP**



- MSN-DAMP-70
- MSN-DAMP-110
- MSN-DAMP-170
- MSN-DAMP-280
- MSN-DAMP-350



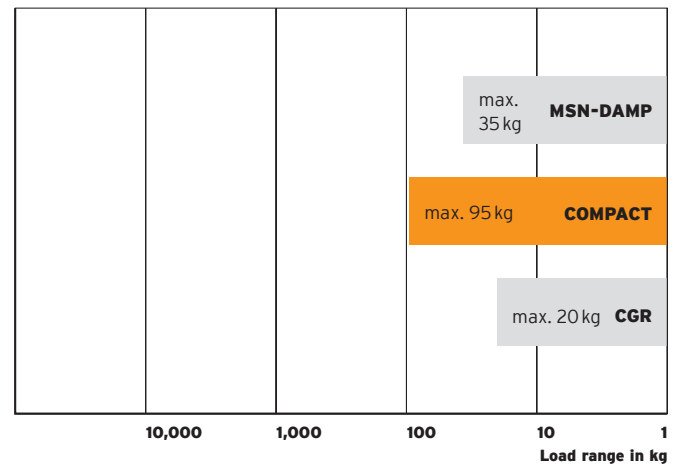
- MSN-DAMP-70
- MSN-DAMP-110
- MSN-DAMP-170
- MSN-DAMP-280
- MSN-DAMP-350

# ISOTOP® COMPACT



## Isotop® vibration dampers type overview

Static application range



## Description

<b>Category</b>	Vibration dampers Four different attachment options
<b>Material</b>	Metal caps made of steel 25mm Sylomer® / Sylodyn® isolating layer
<b>Coating</b>	Galvanised (metal caps)
<b>Permissible temperature range</b>	-30 °C to +70 °C
<b>Dimensions (unloaded)</b>	As per drawing

## Product characteristics

<b>Natural frequency from</b>	9.9 Hz
<b>Load range up to</b>	95 kg / 931 N
<b>Connection thread</b>	As per drawing
<b>Suitable accessories</b>	–



[getzner.com/  
vibration-damper](https://www.getzner.com/vibration-damper)



Type	Max. load		Order no.
	in kg	in N	
<b>Compact T/T</b>			
Isotop® Compact-4 T/T	4	41	39504
Isotop® Compact-9 T/T	8	79	39505
Isotop® Compact-15 T/T	15	147	39506
Isotop® Compact-20 T/T	27	264	39507
Isotop® Compact-40 T/T	37	363	38884
Isotop® Compact-50 T/T	50	491	39508
Isotop® Compact-70 T/T	63	619	39509
Isotop® Compact-100 T/T	95	931	39511



<b>Compact B/T</b>			
Isotop® Compact-4 B/T	4	41	39512
Isotop® Compact-9 B/T	8	79	39513
Isotop® Compact-15 B/T	15	147	39514
Isotop® Compact-20 B/T	27	264	39515
Isotop® Compact-40 B/T	37	363	39516
Isotop® Compact-50 B/T	50	491	39517
Isotop® Compact-70 B/T	63	619	39518
Isotop® Compact-100 B/T	95	931	39520



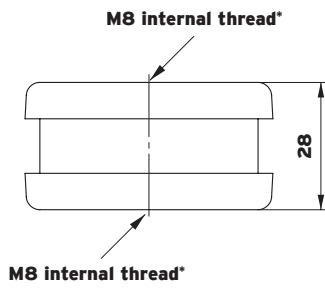
<b>Compact B/B</b>			
Isotop® Compact-4 B/B	4	41	39521
Isotop® Compact-9 B/B	8	79	39522
Isotop® Compact-15 B/B	15	147	39523
Isotop® Compact-20 B/B	27	264	39524
Isotop® Compact-40 B/B	37	363	39525
Isotop® Compact-50 B/B	50	491	39526
Isotop® Compact-70 B/B	63	619	39527
Isotop® Compact-100 B/B	95	931	39529



<b>Compact B/-</b>			
Isotop® Compact-4 B/-	4	41	41135
Isotop® Compact-9 B/-	8	79	41136
Isotop® Compact-15 B/-	15	147	41137
Isotop® Compact-20 B/-	27	264	41138
Isotop® Compact-40 B/-	37	363	41139
Isotop® Compact-50 B/-	50	491	41140
Isotop® Compact-70 B/-	63	619	41141
Isotop® Compact-100 B/-	95	931	41143

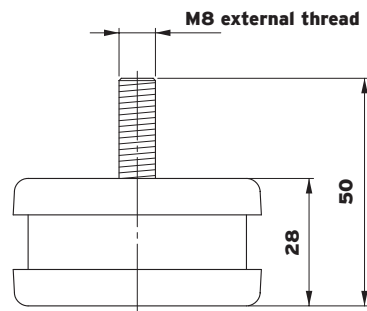
**Isotop® Compact T/T**

(unloaded)



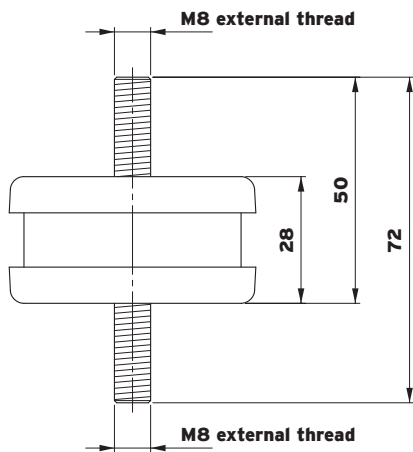
**Isotop® Compact B/T**

(unloaded)



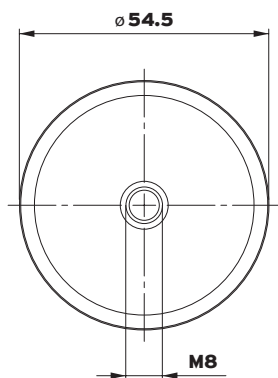
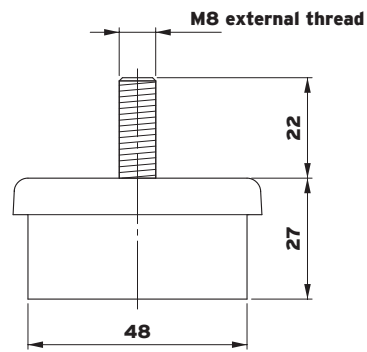
**Isotop® Compact B/B**

(unloaded)



**Isotop® Compact B/-**

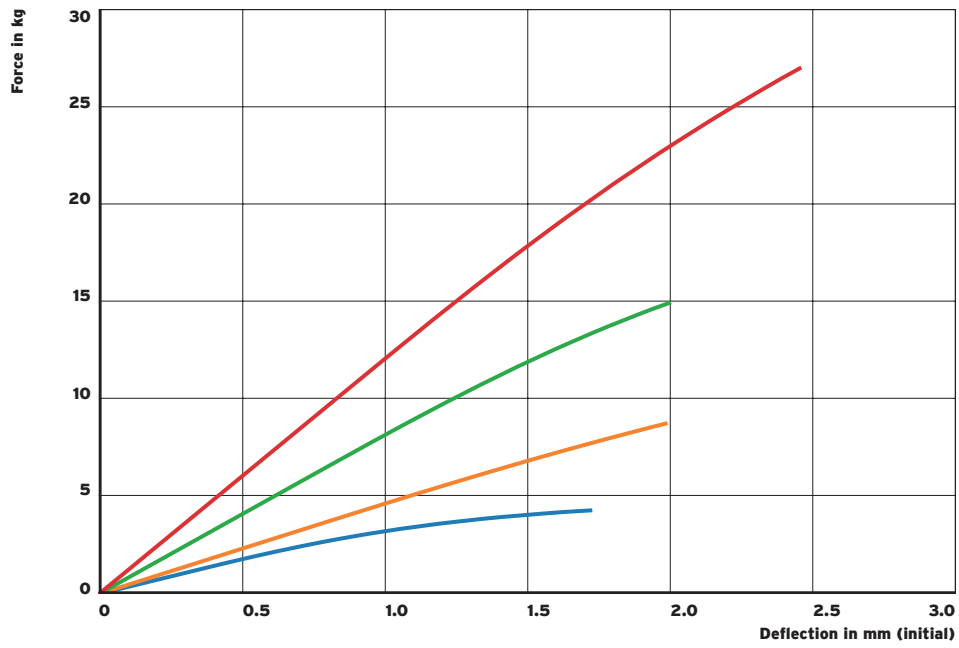
(unloaded)



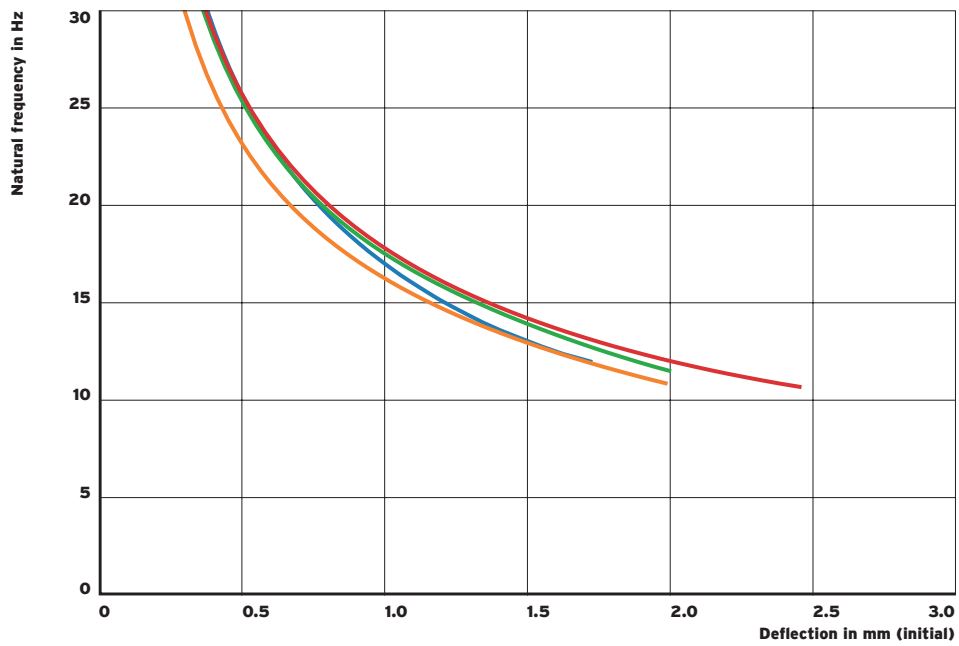
\*Thread reach for internal thread  
max. 7 mm



### Isotop® Compact

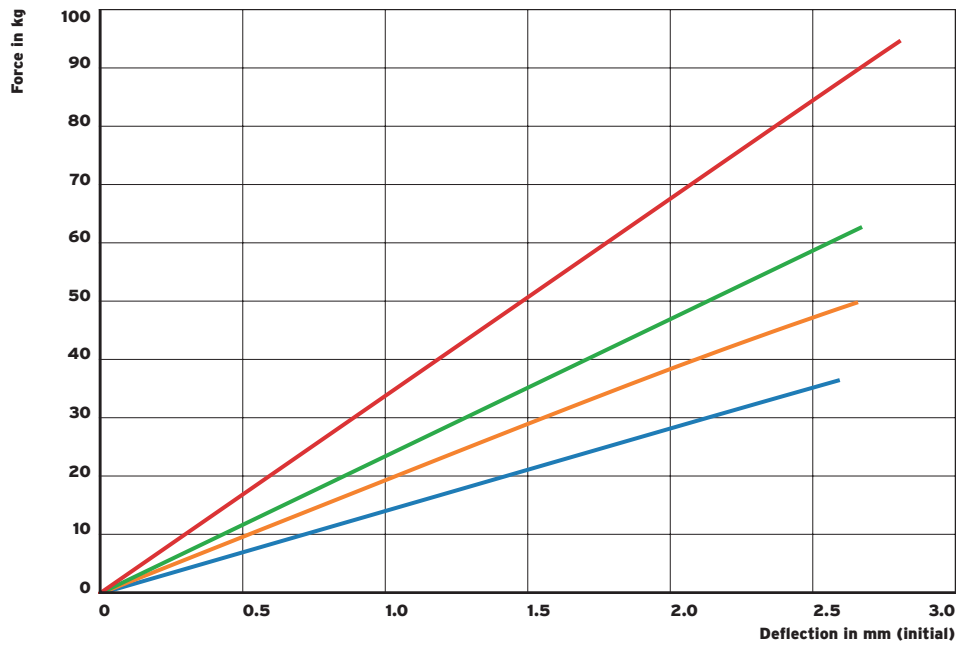


- Compact 4
- Compact 9
- Compact 15
- Compact 20

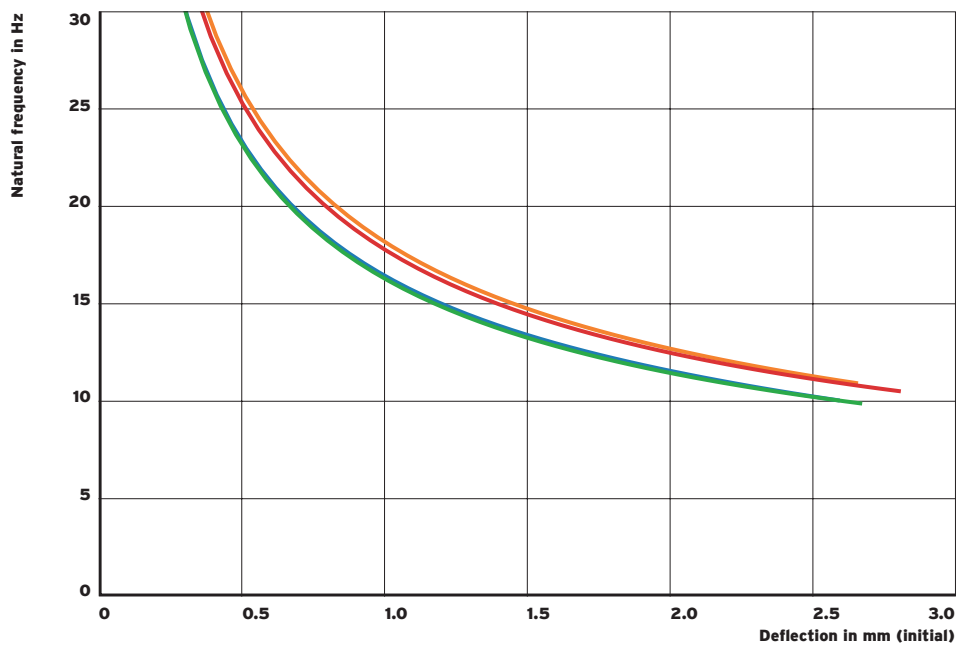


- Compact 4
- Compact 9
- Compact 15
- Compact 20

### Isotop® Compact



- Compact 40
- Compact 50
- Compact 70
- Compact 100



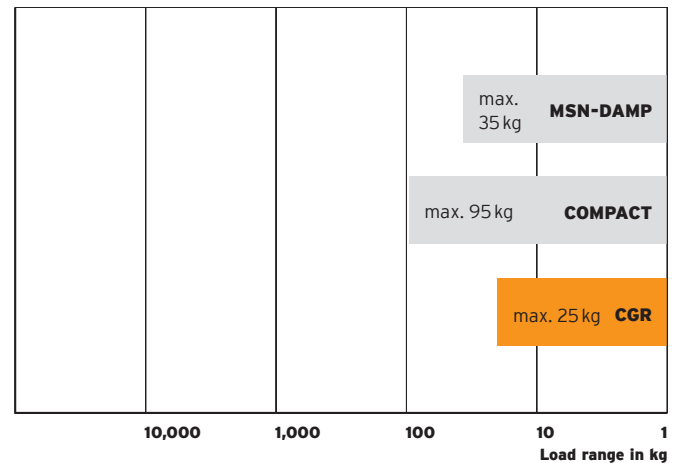
- Compact 40
- Compact 50
- Compact 70
- Compact 100

# SYLOMER® COMPRESSOR GROMMET CGR



## Isotop® vibration dampers type overview

Static application range



## Description

<b>Category</b>	Vibration dampers Custom version available
<b>Material</b>	Aluminium (sleeve) Sylomer® isolating layer
<b>Coating</b>	–
<b>Permissible temperature range</b>	-30 °C to +70 °C
<b>Dimensions (unloaded)</b>	As per drawing

## Product characteristics

<b>Natural frequency from</b>	12.7 Hz
<b>Load range up to</b>	25 kg / 245 N
<b>Connection thread</b>	Suitable for M8 screws
<b>Suitable accessories</b>	–



[getzner.com/  
vibration-damper](https://www.getzner.com/vibration-damper)



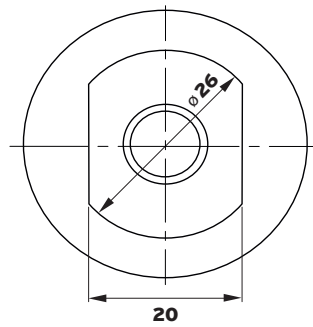
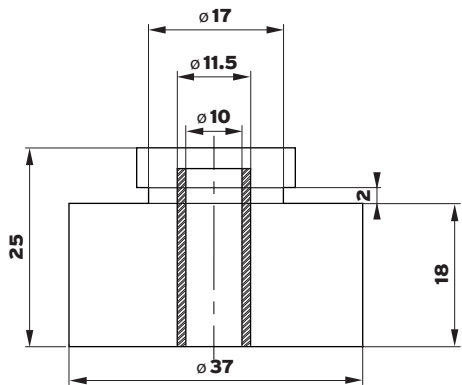
Type	Max. load		Order no.
	in kg	in N	
<b>Sylomer® Compressor Grommet CGR</b>			
Sylomer® Compressor Grommet CGR-3	3	29	42177
Sylomer® Compressor Grommet CGR-7	7	68	42178
Sylomer® Compressor Grommet CGR-13	13	127	41652
Sylomer® Compressor Grommet CGR-25	25	245	42179



<b>Compressor Grommet CGR pro</b>			
Sylodyn® Compressor Grommet CGR-3 pro	3	29	51524
Sylomer® Compressor Grommet CGR-5 pro	5	49	51526
Sylodyn® Compressor Grommet CGR-6 pro	6	58	51525
Sylomer® Compressor Grommet CGR-10 pro	10	98	51527

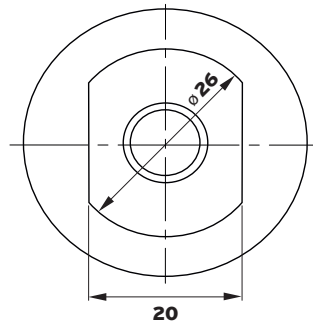
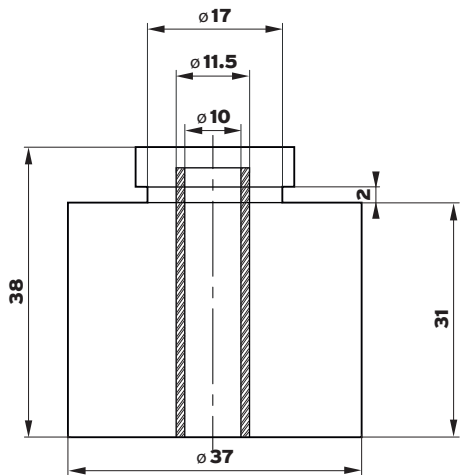
**Sylomer® Compressor Grommet CGR**

(unloaded)

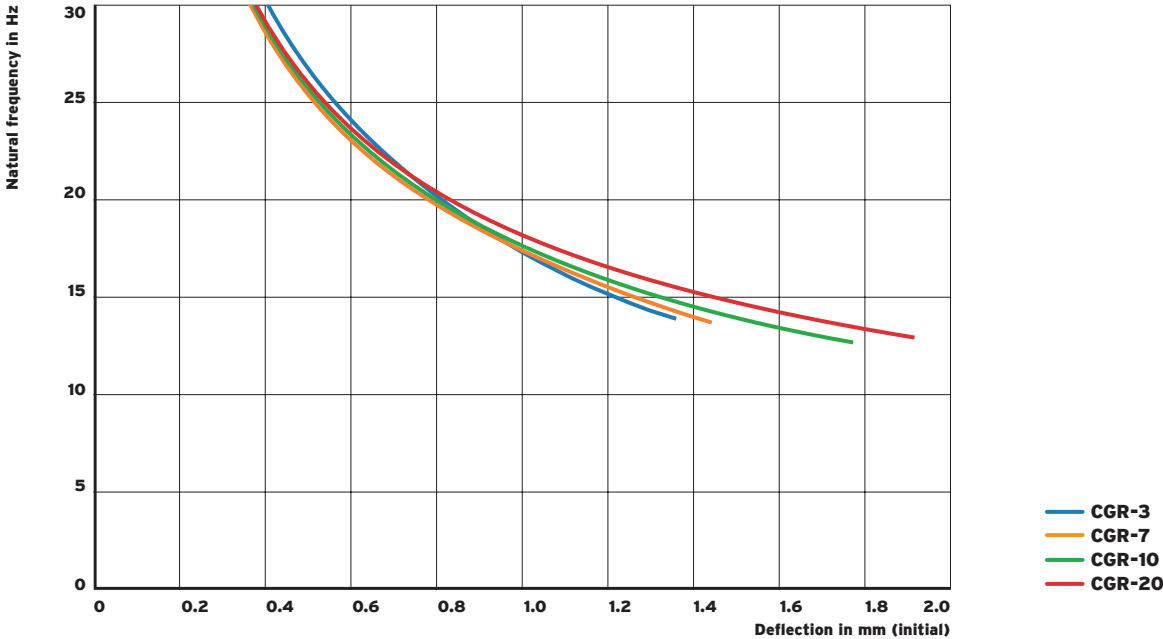
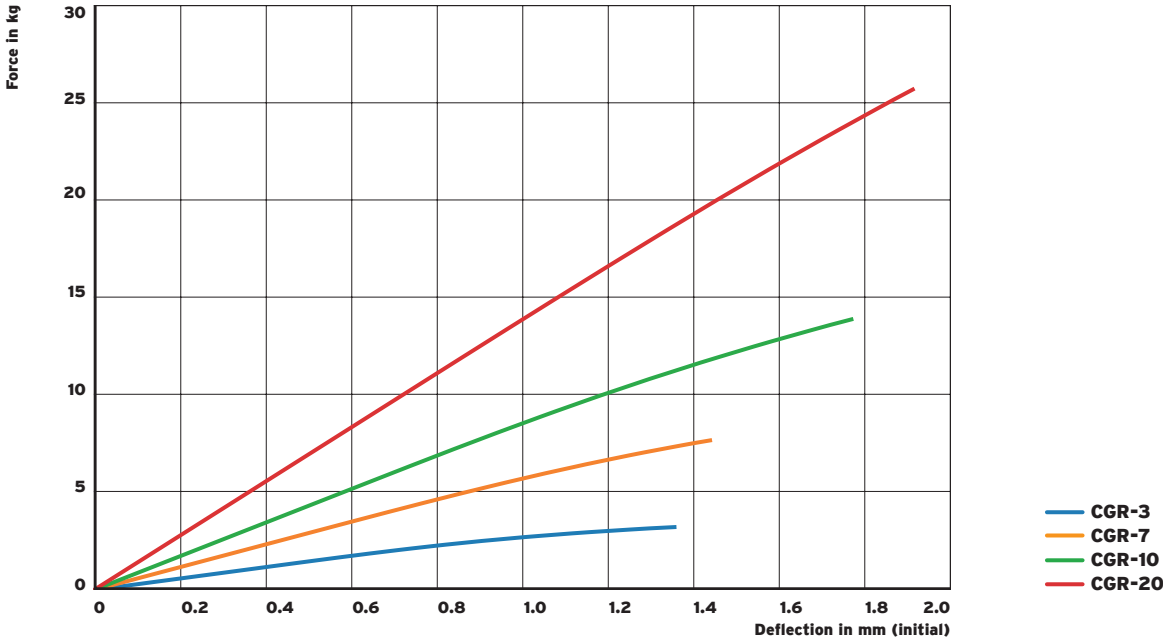


**Compressor Grommet CGR pro**

(unloaded)



Sylomer® Compressor Grommet CGR



### Compressor Grommet CGR pro

