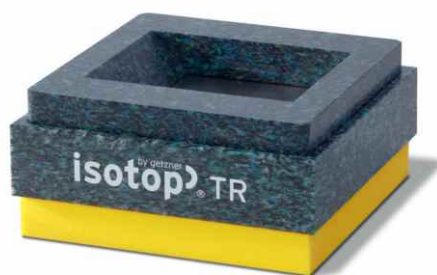


ISOTOP® MACHINE MOUNTINGS

DATA SHEET



Quickly find the right Isotop® machine bearing for your application with the EquipCalc selection program from Getzner.



Register online now
apps.getzner.com

PRODUCT BENEFITS

- High-quality polyurethane for effective damping
- High chemical resistance to consumables
- Easy and precise height adjustment for optimum machine stability

All information and data are based on our current knowledge. It can be used in calculations and for reference purposes, but is subject to product-specific and application-specific manufacturing tolerances and does not represent warranted properties. Material properties and their tolerances vary depending on the type of application and load and are available from Getzner on request. Subject to change without notice.

For further general information, see VDI Directive 2062 and glossary.
Further characteristic values available on request.

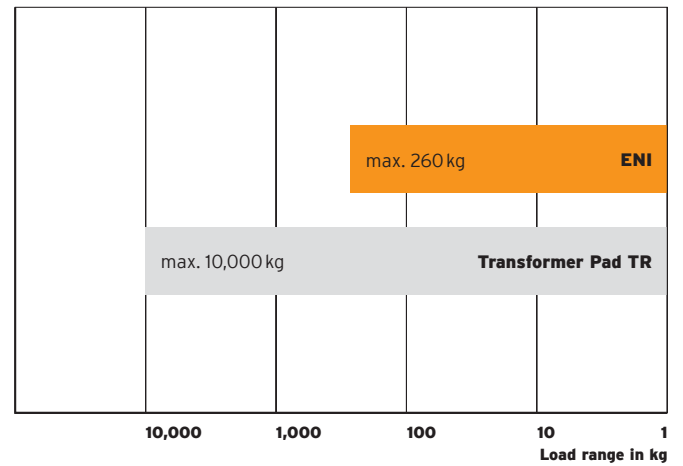
getzner

ISOTOP® ENI



Isotop® machine mountings type overview

Static application range



Description

Category	Machine mounting
Material	Steel internal thread Polyamide pressure plate 25 mm Sylomer®/Sylodyn®
Coating	Galvanised
Permissible temperature range	-30 °C to +70 °C
Dimensions (unloaded)	H 118 mm / D 80 mm

Product characteristics

Natural frequency from	9.7 Hz
Load range up to	260 kg / 2,551 N
Connection thread	M10 external thread
Suitable accessories	–

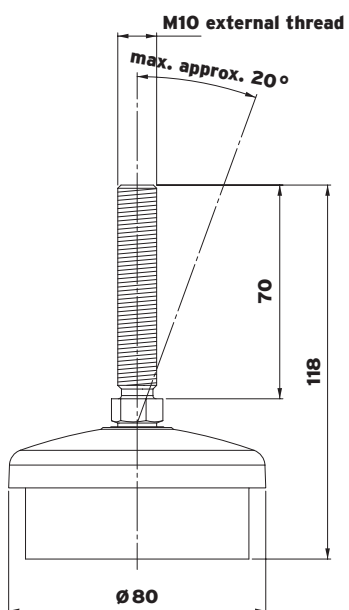


[getzner.com/
machine-mounts](https://getzner.com/machine-mounts)

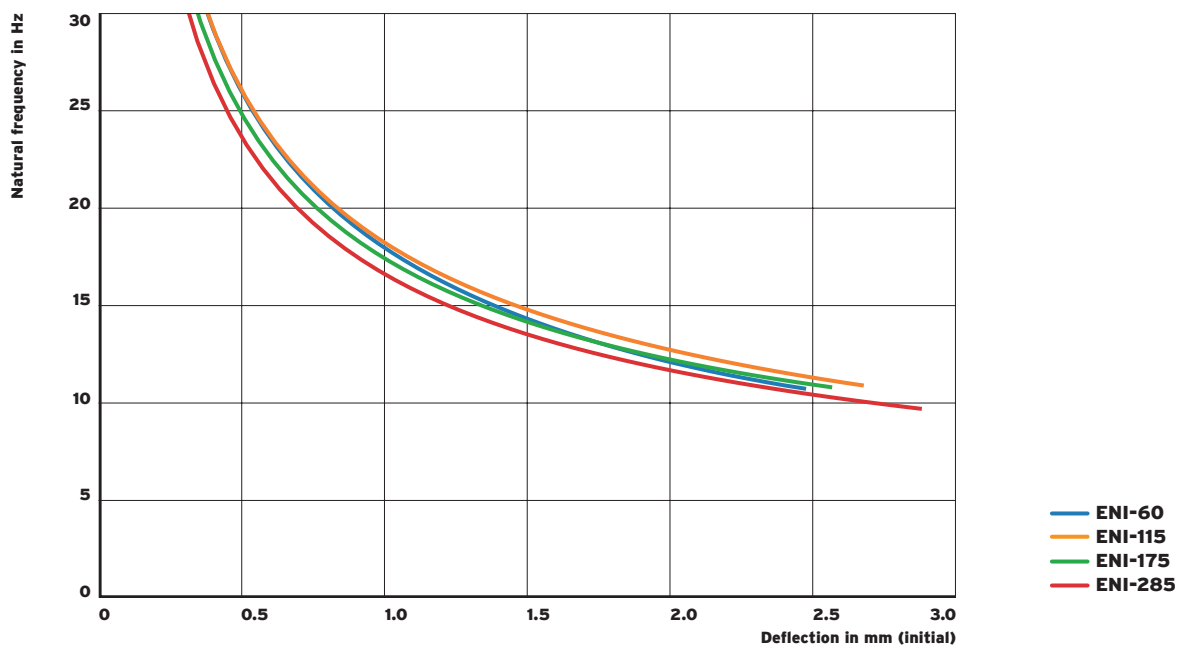
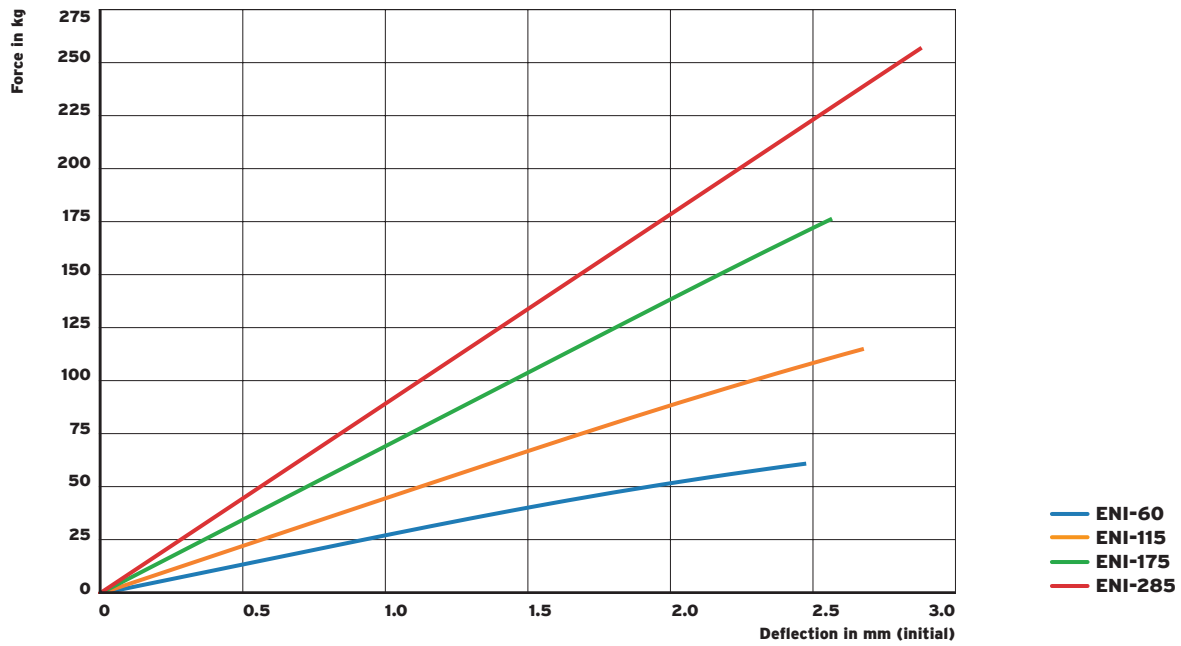


Type	Max. load		Order no.
	in kg	in N	
ENI			
Isotop® ENI-60	61	598	45150
Isotop® ENI-115	115	1,128	45152
Isotop® ENI-175	176	1,726	45154
Isotop® ENI-285	260	2,551	45155

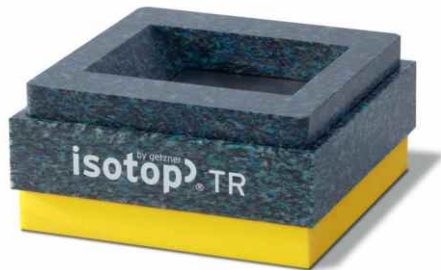
Isotop® ENI (unloaded)



Isotop® ENI

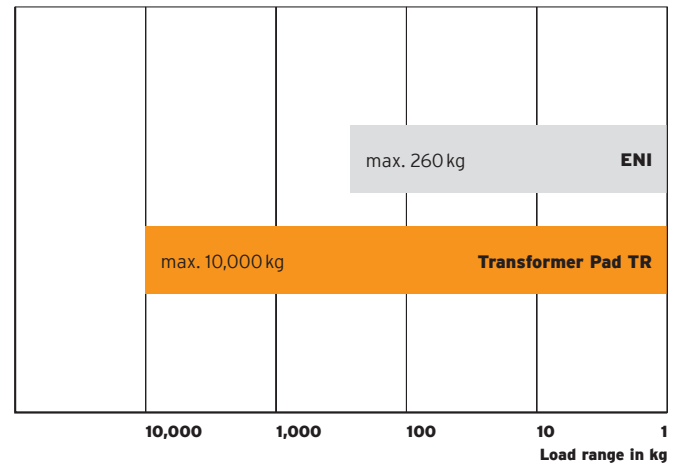


ISOTOP® TRANSFORMER PAD TR



Isotop® machine mountings type overview

Static application range



Description

Category	machine mounting for transformers
Material	Polyethylene Stainless steel pressure plate 37.5 mm Sylodyn® isolating layer
Coating	–
Permissible temperature range	-30 °C to +70 °C
Dimensions (unloaded)	69×150×150 mm

Product characteristics

Natural frequency from	8.5 Hz
Load range up to	10,000 kg / 98,100 N
Connection thread	–
Suitable accessories	–



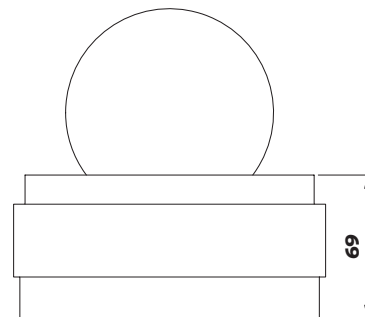
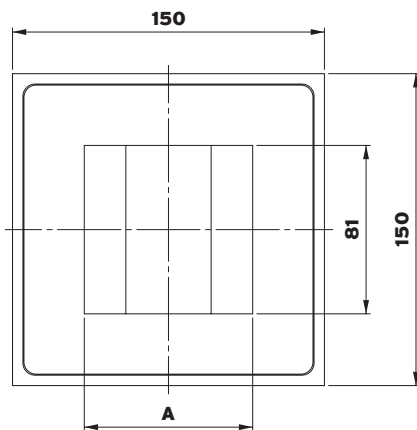
[getzner.com/
machine-mounts](https://www.getzner.com/machine-mounts)



Type		Max. load		Order no.
		in kg	in N	
Transformer Pad TR				
Isotop® TR-400	up to 100 mm	400	3,925	43099
Isotop® TR-1000	up to 100 mm	1,000	9,810	43100
Isotop® TR-2500	up to 100 mm	2,500	24,525	43101
Isotop® TR-5000	up to 100 mm	5,000	49,050	43102
Isotop® TR-10000	up to 100 mm	10,000	98,100	43103
<hr/>				
Isotop® TR-400	101–150 mm	400	3,925	43202
Isotop® TR-1000	101–150 mm	1,000	9,810	43204
Isotop® TR-2500	101–150 mm	2,500	24,525	43206
Isotop® TR-5000	101–150 mm	5,000	49,050	43208
Isotop® TR-10000	101–150 mm	10,000	98,100	43210
<hr/>				
Isotop® TR-400	151–200 mm	400	3,925	43203
Isotop® TR-1000	151–200 mm	1,000	9,810	43205
Isotop® TR-2500	151–200 mm	2,500	24,525	43207
Isotop® TR-5000	151–200 mm	5,000	49,050	43209
Isotop® TR-10000	151–200 mm	10,000	98,100	43211

Isotop® Transformer Pad TR

(unloaded)



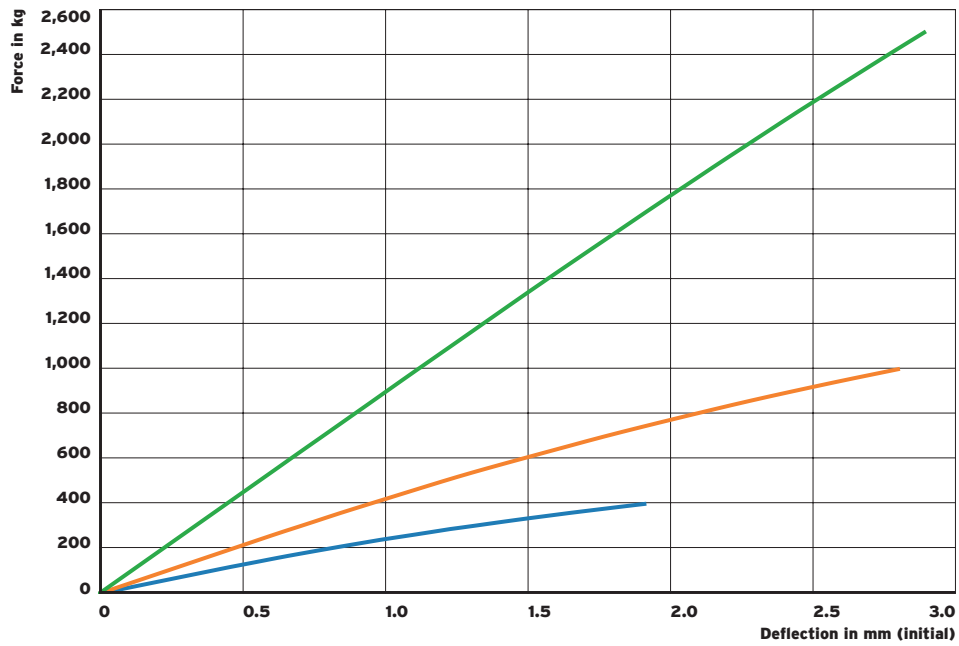
Dimension inlay (A):

TR-xxx-100 A = 81 mm

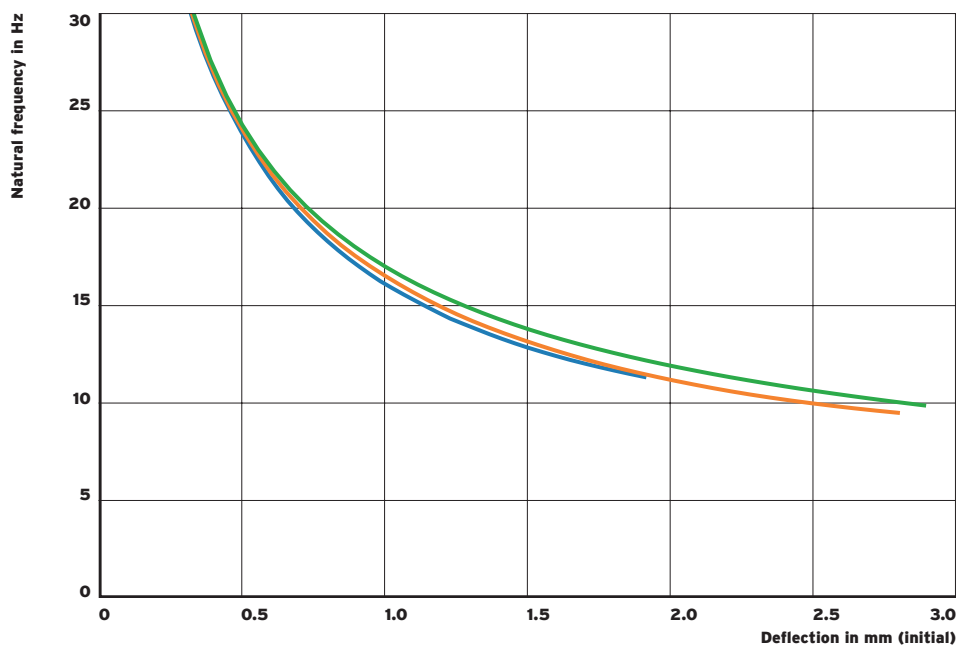
TR-xxx-150 A = 105 mm

TR-xxx-200A = 119 mm

Isotop® Transformer Pad TR

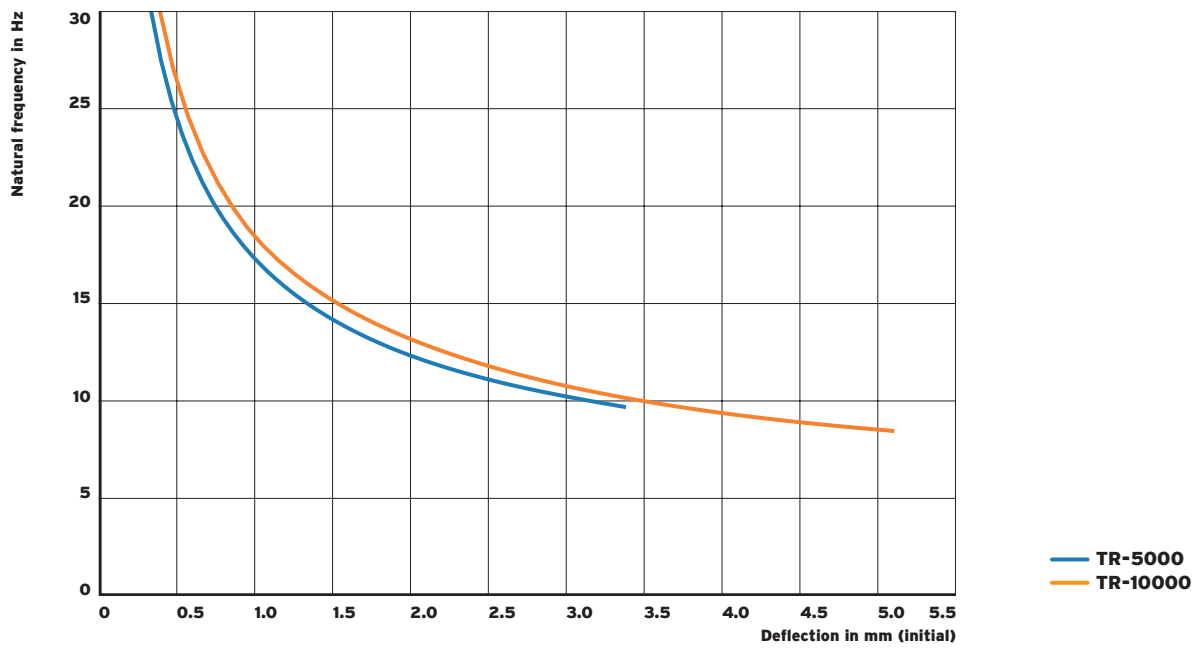
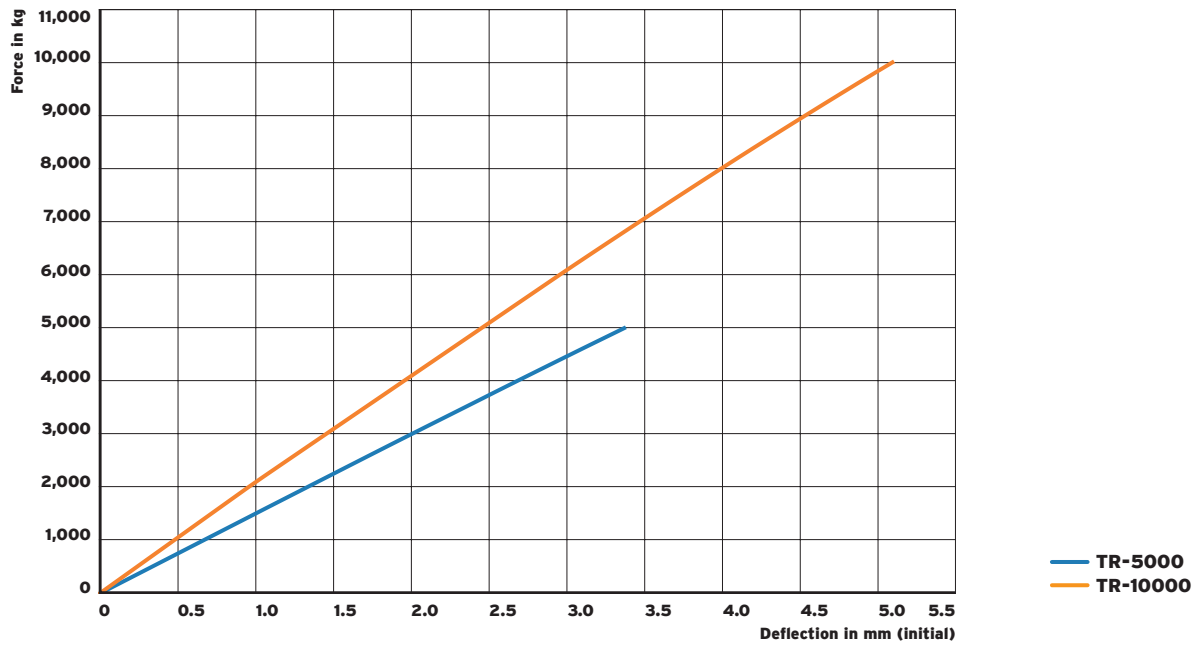


- TR-400
- TR-1000
- TR-2500



- TR-400
- TR-1000
- TR-2500

Isotop® Transformer Pad TR



Data sheet Isotop® machine mountings EN © Copyright by Getzner Werkstoffe GmbH. Our printing is climate neutral. 03-2025 | Subject to change without notice.

WMUFAT