

ISOTOP® PRESSURE-TENSION ELEMENTS

DATA SHEET



Quickly find the right Isotop® machine bearing for your application with the EquipCalc selection program from Getzner.



Jetzt online registrieren
apps.getzner.com

PRODUCT BENEFITS

- Effective vibration damping and isolation of vibrations
- High degree of stability
- Versatile application options

All information and data are based on our current knowledge. It can be used in calculations and for reference purposes, but is subject to product-specific and application-specific manufacturing tolerances and does not represent warranted properties. Material properties and their tolerances vary depending on the type of application and load and are available from Getzner on request. Subject to change without notice.

For further general information, see VDI Directive 2062 and glossary.
Further characteristic values available on request.

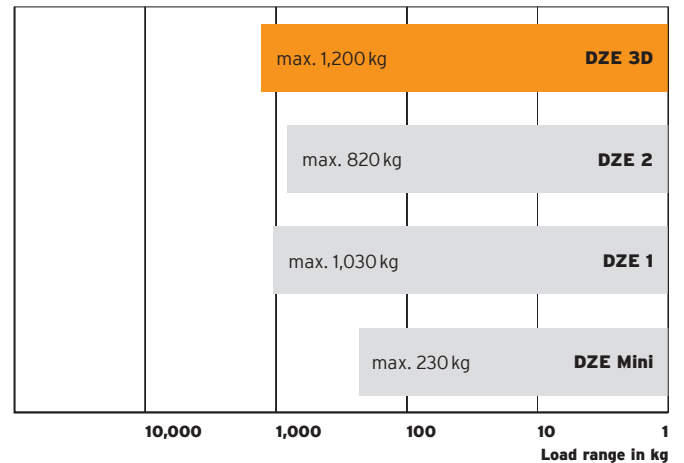
getzner

ISOTOP® DZE 3D



Isotop® pressure-tension elements type overview

Static application range



Description

Category	Pressure-tension element
Material	Die-cast stainless steel: housing 1.4308, inner part 1.4301 19 mm Sylodamp® 30 mm Syloodyn® isolating layer
Coating	–
Permissible temperature range	-30 °C to +70 °C
Dimensions (unloaded)	75,5 × 116 × 116 mm

Product characteristics

Natural frequency from	11.3 Hz
Load range up to	1,200 kg / 11,772 N
Dyn. horizontal stiffness	DZE 3D 200: 0.88 kN/mm DZE 3D 400: 1.46 kN/mm DZE 3D 600: 2.98 kN/mm DZE 3D 800: 3.96 kN/mm DZE 3D 1200: 2.92 kN/mm
Max. tensile forces	DZE 3D 200/ DZE 3D 400: 0.75 kN DZE 3D 600/ DZE 3D 800 / DZE 3D 1200: 1.15 kN
Max. horizontal forces	DZE 3D 200: 2 kN DZE 3D 400: 3 kN DZE 3D 600: 4 kN DZE 3D 800: 4.5 kN DZE 3D 1200: 5 kN

Connection thread	M12 internal thread
Suitable accessories	–

Note: Tensile forces correspond to maximum load limit of Sylodamp® according to the data sheet. Horizontal forces were determined by tests. The mechanical strength of the metal components is higher.



[getzner.com/
pressure-tension-elements](https://www.getzner.com/pressure-tension-elements)

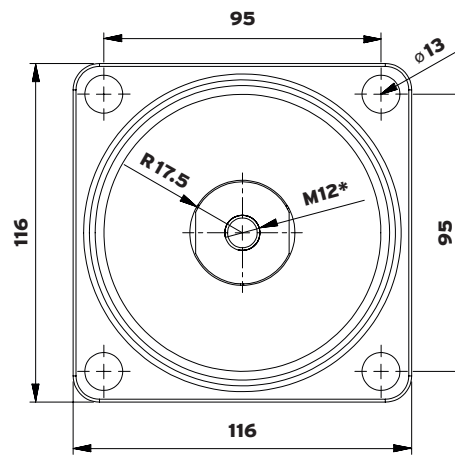
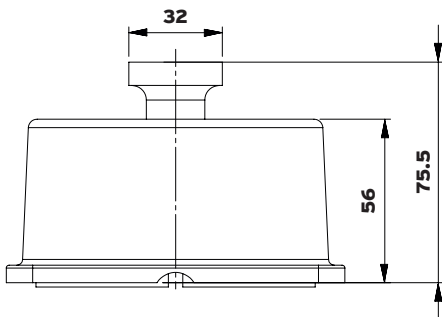
isotop® by getzner



Type	Max. load		Order no.
	in kg	in N	
DZE 3D			
Isotop® DZE 3D 200	200	1,962	50951
Isotop® DZE 3D 400	400	3,924	50952
Isotop® DZE 3D 600	600	5,886	50953
Isotop® DZE 3D 800	800	7,848	50954
Isotop® DZE 3D 1200	1.200	11,772	50955

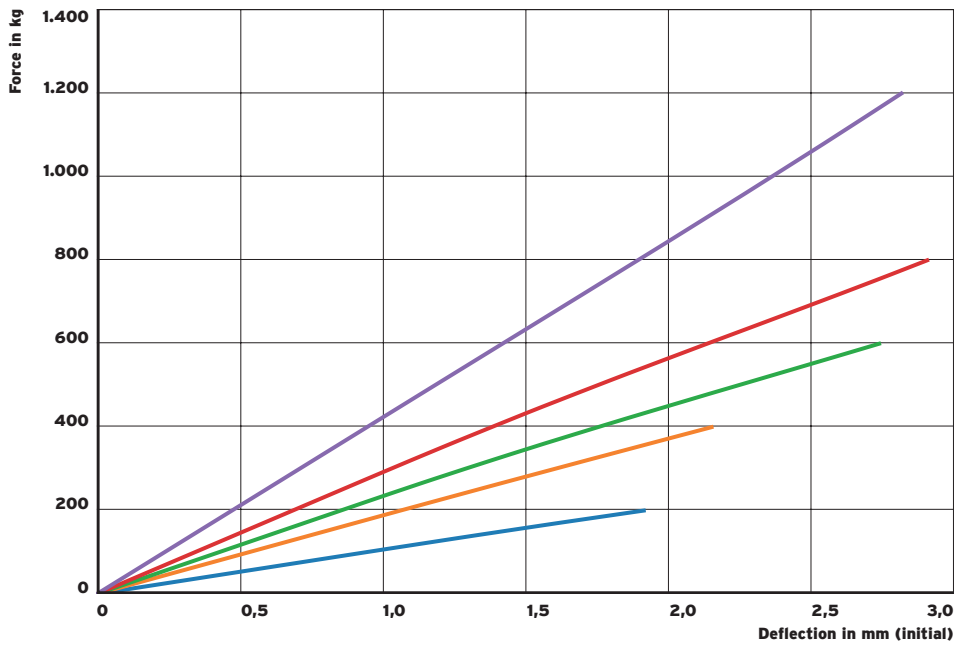
Isotop® DZE 3D

(unloaded)

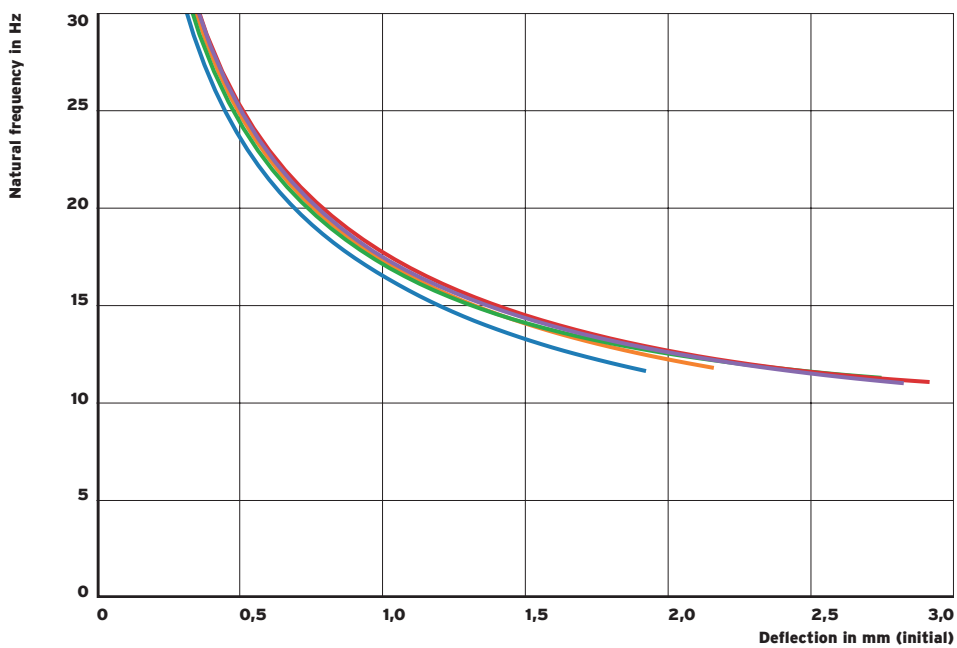


*internal thread

Isotop® DZE 3D



- DZE-3D-200
- DZE-3D-400
- DZE-3D-600
- DZE-3D-800
- DZE-3D-1200



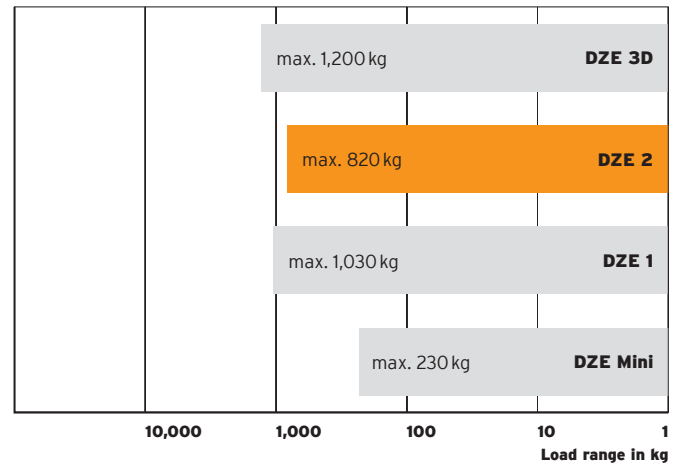
- DZE-3D-200
- DZE-3D-400
- DZE-3D-600
- DZE-3D-800
- DZE-3D-1200

ISOTOP® DZE-2



Isotop® pressure-tension elements type overview

Static application range



Description

Category	Pressure-tension element
Material	Die-cast stainless steel: housing 1.4308, inner part 1.4301 50 mm Sylodyn® 12.5 mm Sylodamp®
Coating	–
Permissible temperature range	-30 °C to +70 °C
Dimensions (unloaded)	87 × 100 × 100 mm

Product characteristics

Natural frequency from	7 Hz
Load range up to	820 kg / 8,044 N
Max. tensile forces	Isotop® DZE-2 NB to NE: 2.7 kN Isotop® DZE-2 HLL and HLH: 4.0 kN
Connection thread	M12 internal thread
Suitable accessories	–

Note: Tensile forces correspond to the impact area of application of Sylodamp® (brief dynamic loads) according to the data sheet. The mechanical strength of the metal components is higher.



[getzner.com/
pressure-tension-elements](https://www.getzner.com/pressure-tension-elements)

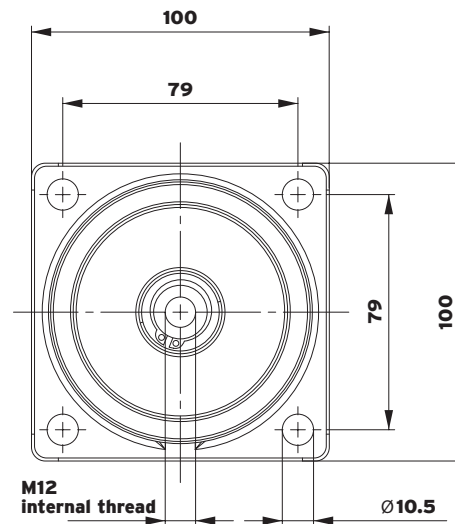
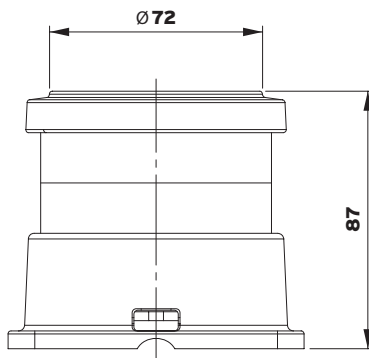
by getzner
isotop®



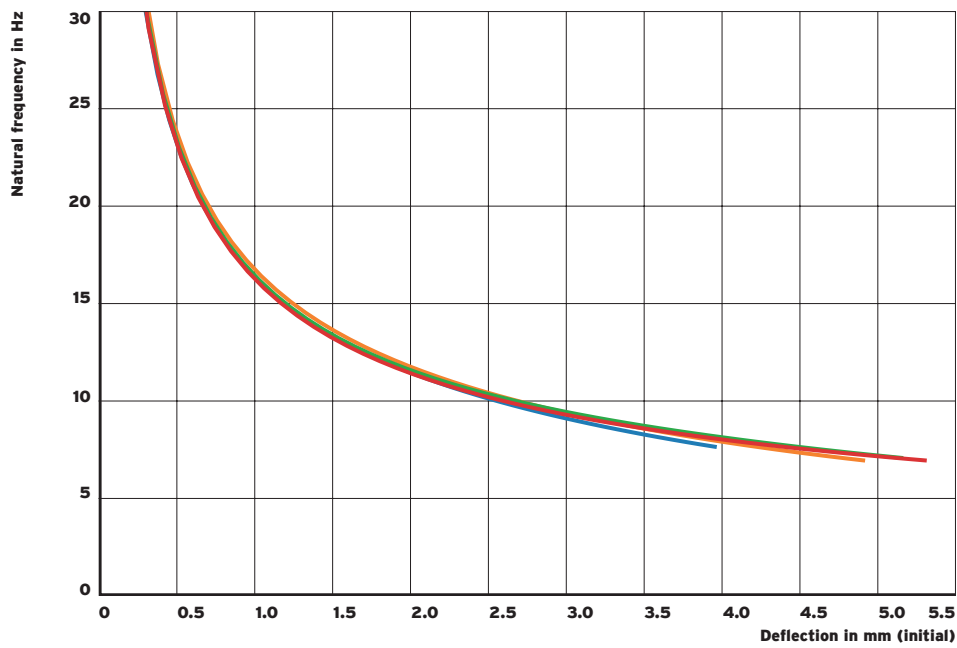
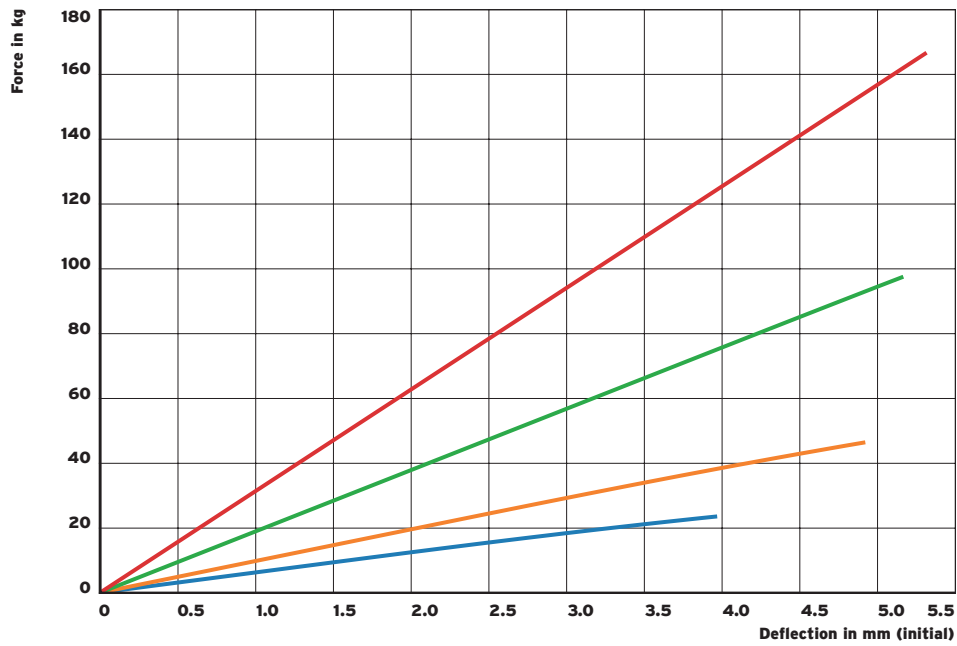
Type		Max. load		Order no.
		in kg	in N	
DZE-2				
Isotop® DZE-2-NB-SP	2-layer	24	236	39442
Isotop® DZE-2-NC-SP	2-layer	46	452	39620
Isotop® DZE-2-ND-SP	2-layer	97	952	39621
Isotop® DZE-2-NE-SP	2-layer	166	1,629	39622
Isotop® DZE-2-HLL-SP5	2-layer	630	6,180	39623
Isotop® DZE-2-HLH-SP5	2-layer	820	8,044	39624

Isotop® DZE-2

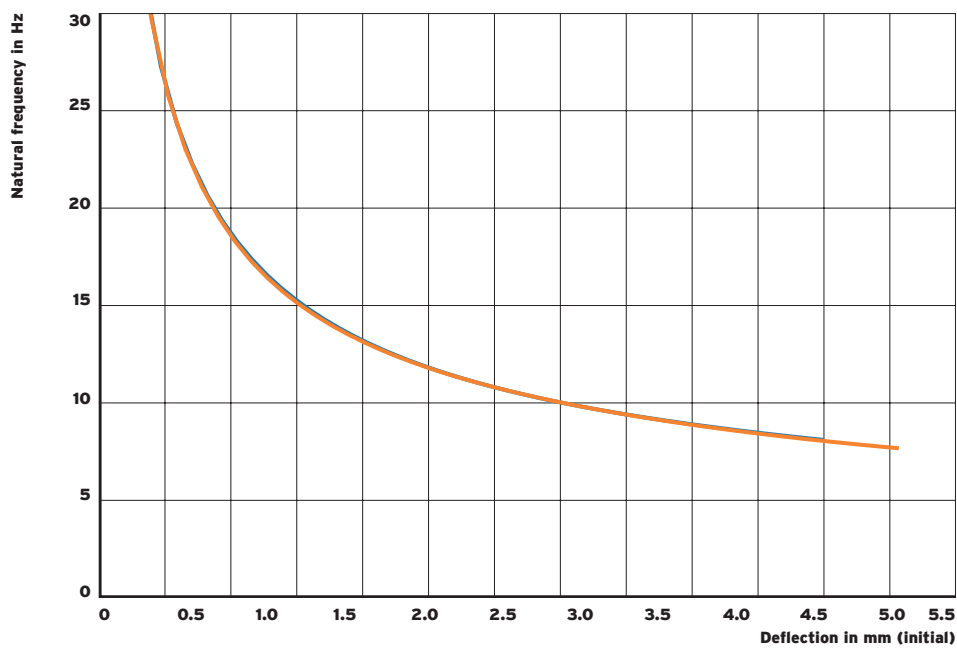
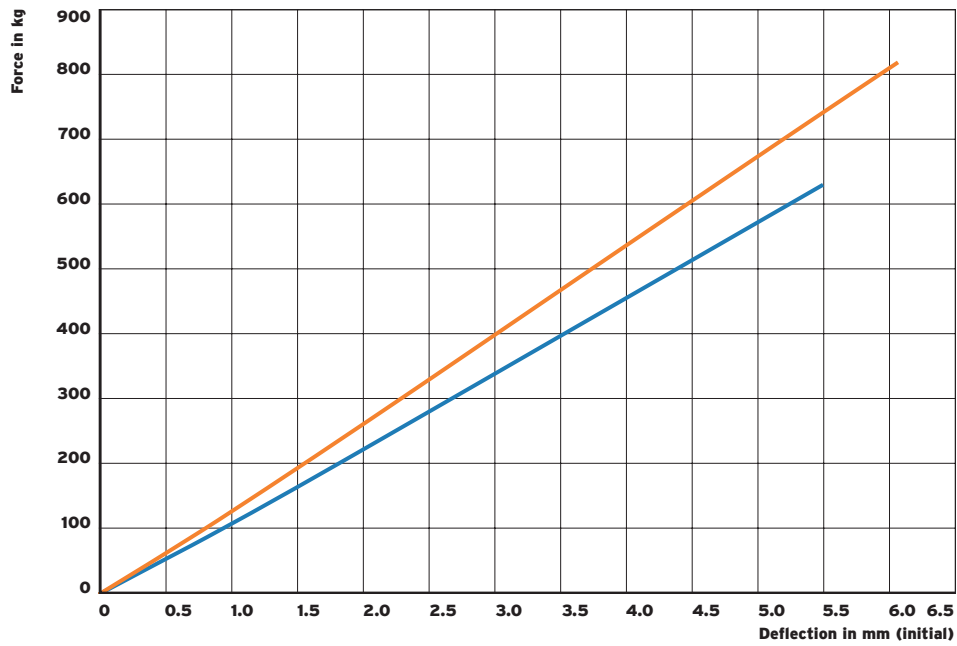
(unloaded)



Isotop® DZE-2



Isotop® DZE-2

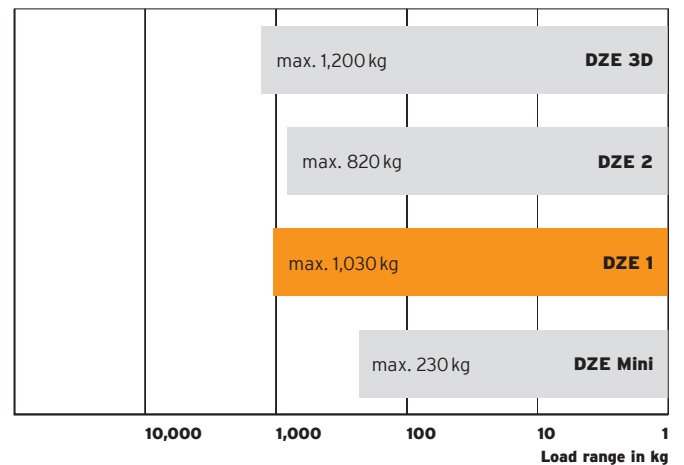


ISOTOP® DZE-1



Isotop® pressure-tension elements type overview

Static application range



Description

Category	Pressure-tension element
Material	Die-cast stainless steel: housing 1.4308, inner part 1.4301 25 mm Syloodyn® 12.5 mm Sylodamp®
Coating	–
Permissible temperature range	-30 °C to +70 °C
Dimensions (unloaded)	62×100×100 mm

Product characteristics

Natural frequency from	9.5 Hz
Load range up to	1,030 kg / 10,104 N
Max. tensile forces	Isotop® DZE-1 NB bis NE: 2.7 kN Isotop® DZE-1 HLL und HLH: 4.0 kN
Connection thread	M12 internal thread
Suitable accessories	–

Note: Tensile forces correspond to the impact area of application of Sylodamp® (brief dynamic loads) according to the data sheet. The mechanical strength of the metal components is higher.



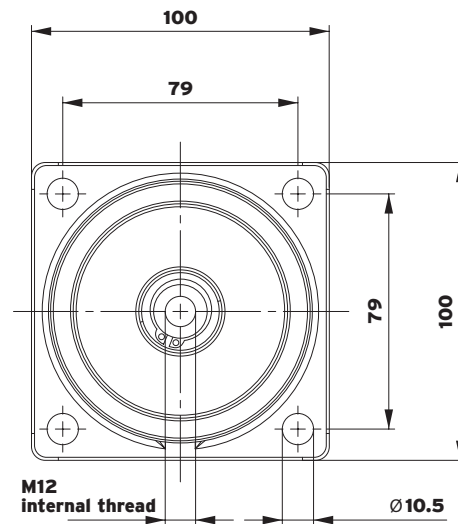
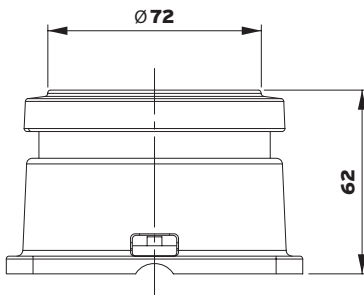
[getzner.com/
pressure-tension-elements](https://www.getzner.com/pressure-tension-elements)



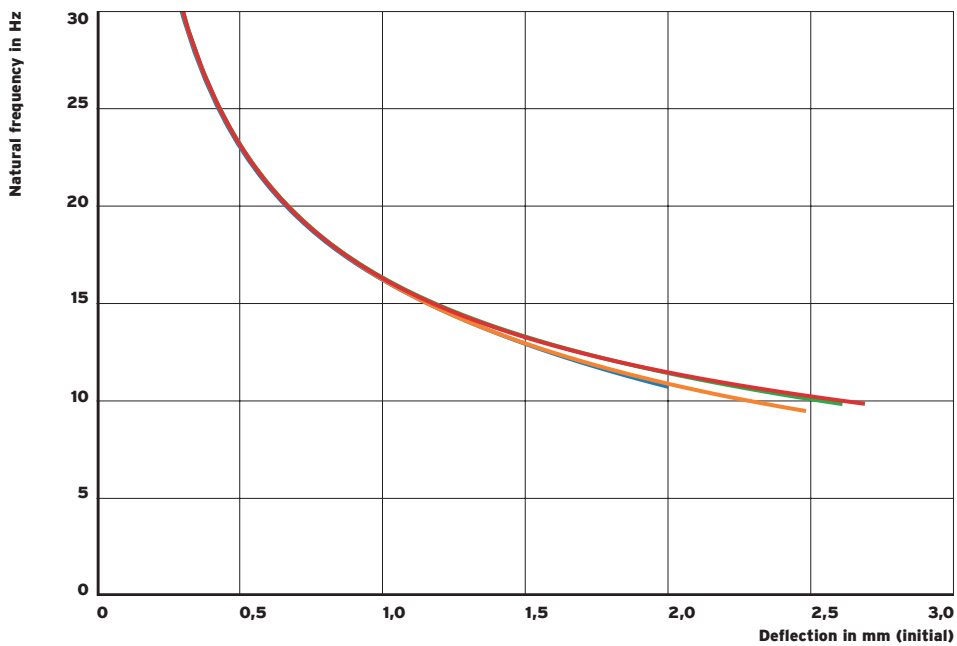
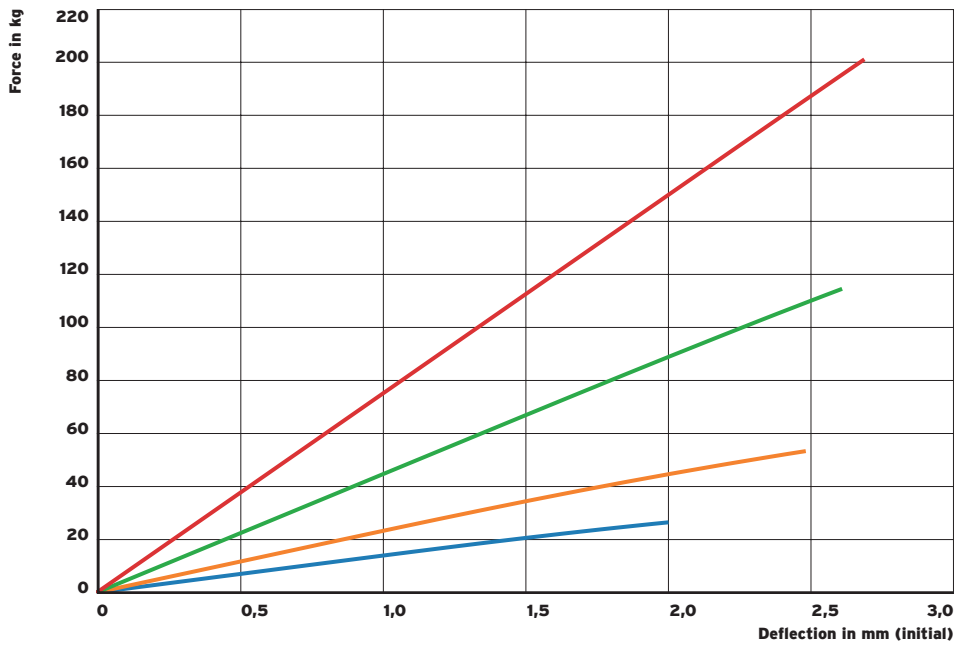
Type	Max. load		Order no.	
	in kg	in N		
DZE-1				
Isotop® DZE-1-NB-SP	1-layer	26	256	39614
Isotop® DZE-1-NC-SP	1-layer	53	520	39615
Isotop® DZE-1-ND-SP	1-layer	115	1,129	39616
Isotop® DZE-1-NE-SP	1-layer	200	1,962	39617
Isotop® DZE-1-HLL-SP5	1-layer	800	7,848	39618
Isotop® DZE-1-HLH-SP5	1-layer	1,030	10,104	39619

Isotop® DZE-1

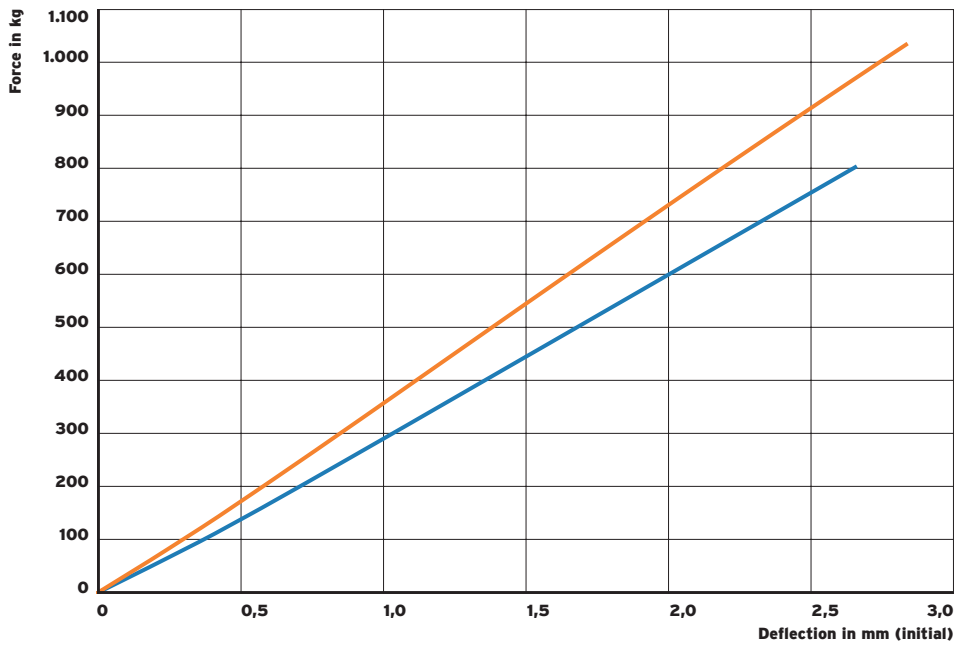
(unloaded)



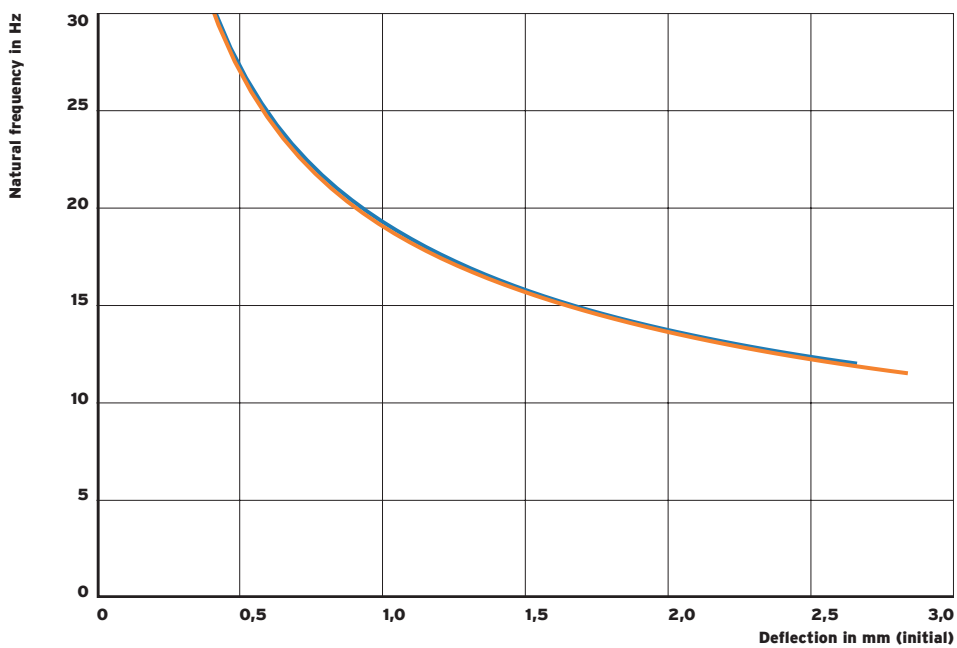
Isotop® DZE-1



Isotop® DZE-1



— DZE-1-HLL-SP5
— DZE-1-HLH-SP5



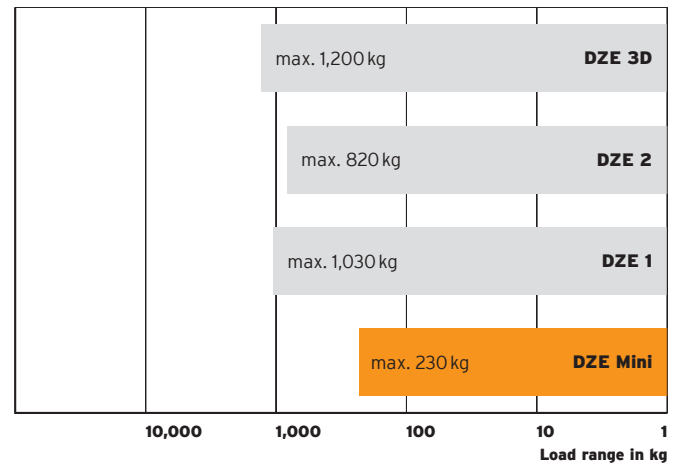
— DZE-1-HLL-SP5
— DZE-1-HLH-SP5

ISOTOP® DZE MINI



Isotop® pressure-tension elements type overview

Static application range



Description

Category	Pressure-tension element
Material	Die-cast stainless steel: housing 1.4308, inner part 1.4301 25 mm Sylodyn® 6 mm Sylodamp®
Coating	–
Permissible temperature range	-30 °C to +70 °C
Dimensions (unloaded)	49×65×65 mm

Product characteristics

Natural frequency from	9.6 Hz
Lastbereich bis	230 kg / 2,256 N
Max. tensile forces	Isotop® Mini NB and NC: 0.3 kN Isotop® Mini ND to HRB: 1.1 kN
Connection thread	M10 internal thread
Suitable accessories	–

Note: Tensile forces correspond to the impact area of application of Sylodamp® (brief dynamic loads) according to the data sheet. The mechanical strength of the metal components is higher.



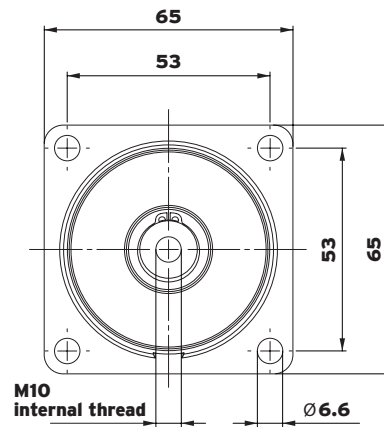
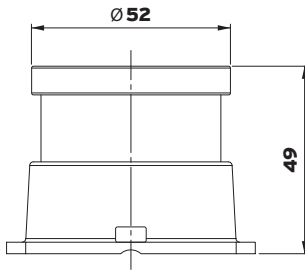
[getzner.com/
pressure-tension-elements](https://www.getzner.com/pressure-tension-elements)



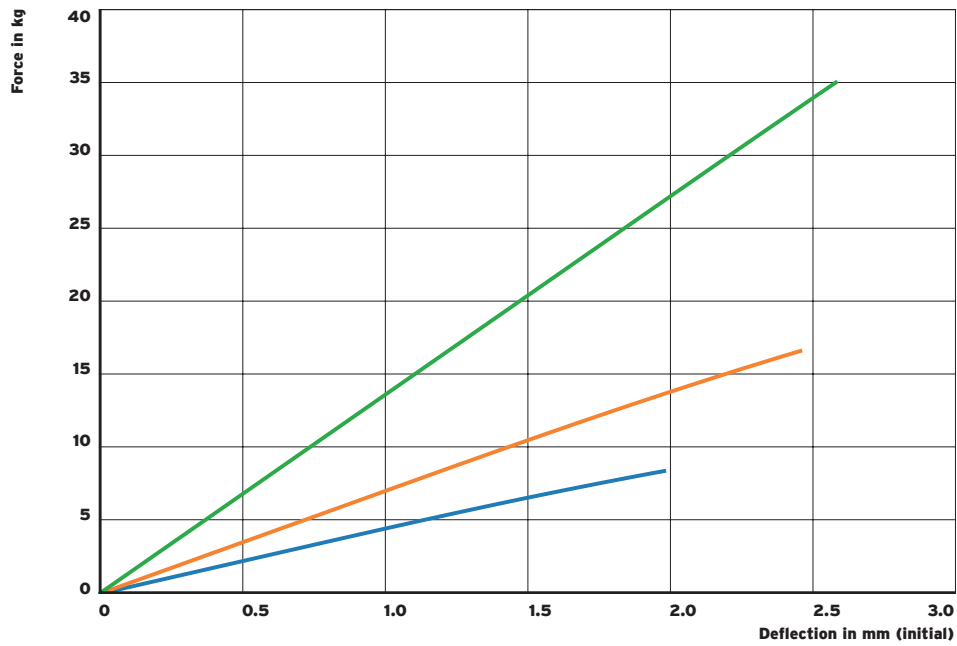
Type	Max. load		Order no.
	in kg	in N	
DZE Mini			
Isotop® DZE Mini NB SP1	8	79	49217
Isotop® DZE Mini NC SP1	17	167	49218
Isotop® DZE Mini ND SP3	35	373	49219
Isotop® DZE Mini NE SP3	60	589	49220
Isotop® DZE Mini NF SP3	100	981	49221
Isotop® DZE Mini HRB 3 SP3	230	2,256	49222

Isotop® DZE Mini

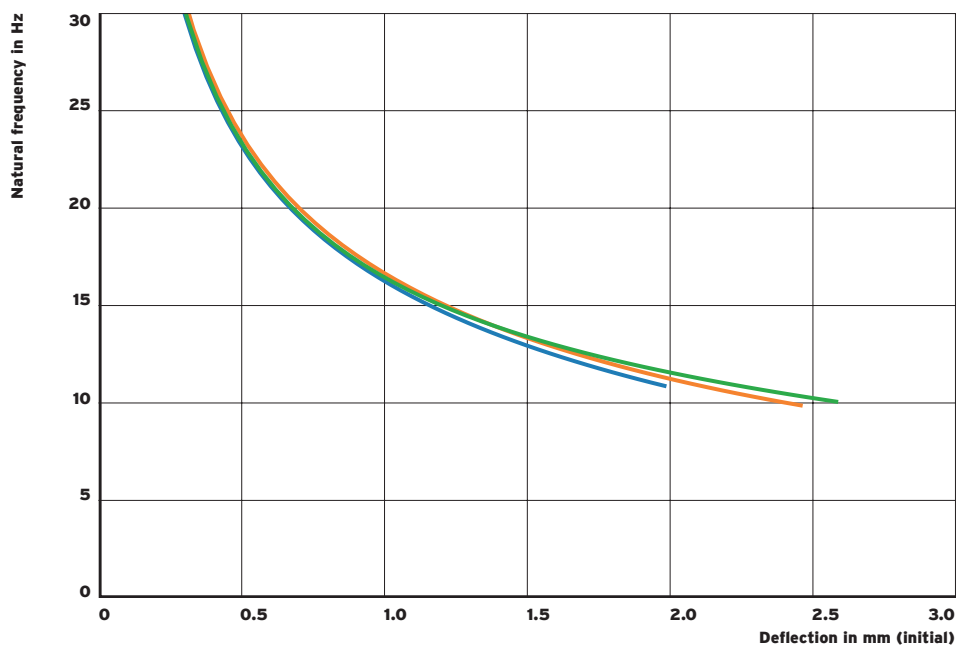
(unloaded)



Isotop® Mini

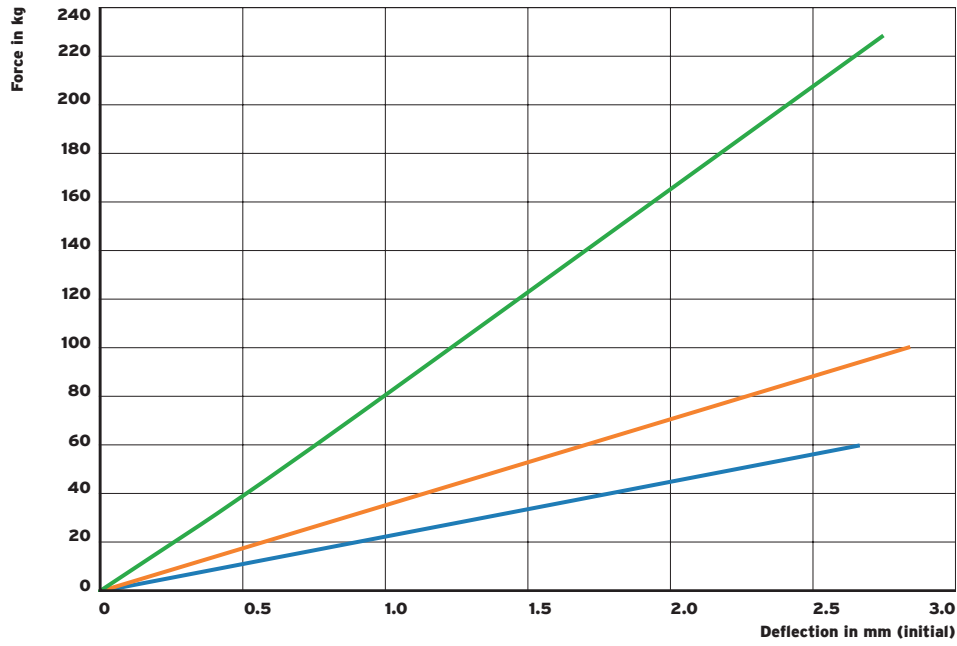


- DZE Mini NB SP1
- DZE Mini NC SP1
- DZE Mini ND SP3

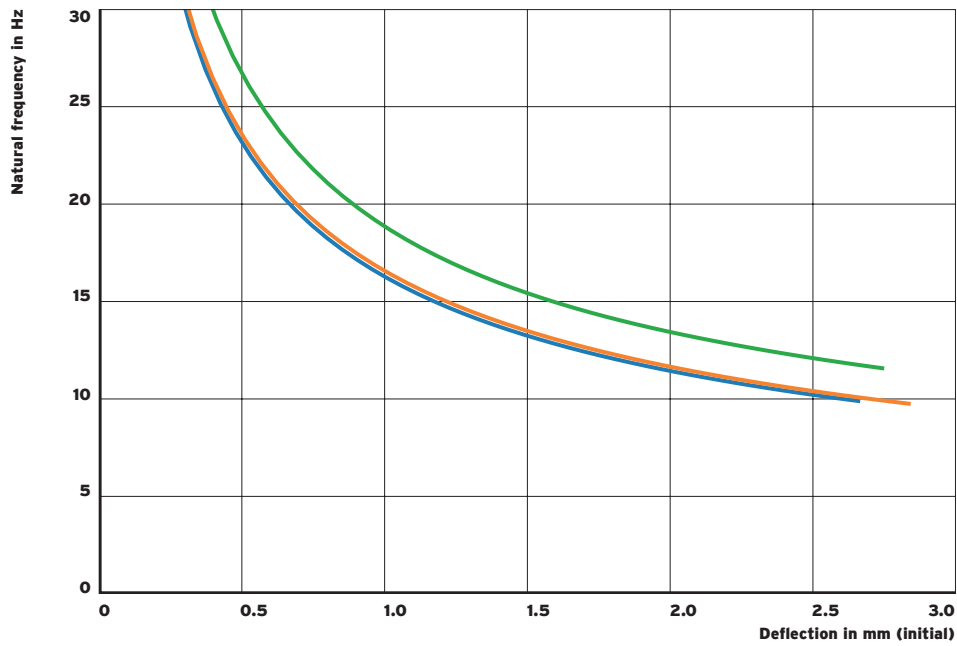


- DZE Mini NB SP1
- DZE Mini NC SP1
- DZE Mini ND SP3

Isotop® Mini



- DZE Mini NE SP3
- DZE Mini NF SP3
- DZE Mini HRB3 SP3



- DZE Mini NE SP3
- DZE Mini NF SP3
- DZE Mini HRB3 SP3

Our printing is climate neutral.

Data sheet Isotop® pressure tension elements EN © Copyright by Getzner Werkstoffe GmbH
03-2025 | Subject to change without notice.

WMUFAT