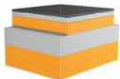
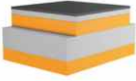


# Isotop<sup>®</sup> SE-DE and SE-DE Elevator

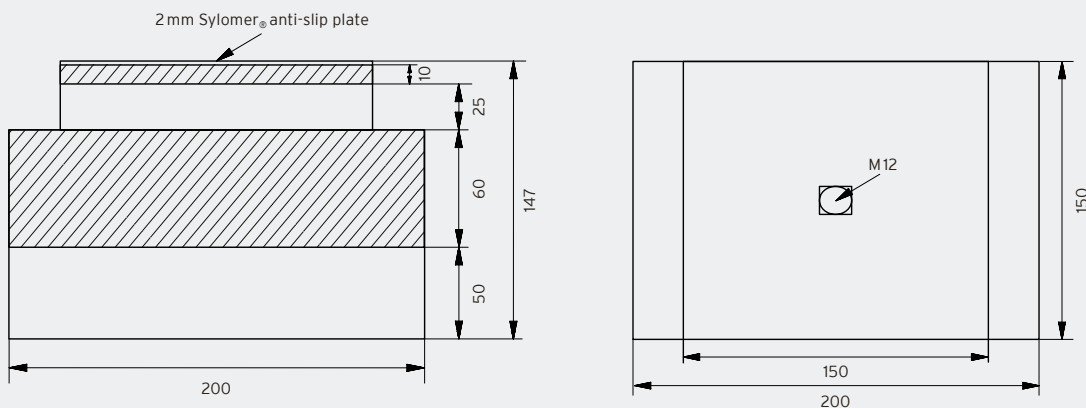
## Sandwich element with double-elastic bearing

- Natural frequency from 6.6Hz
- Sylomer<sup>®</sup> or Syldyn<sup>®</sup> inside
- Category EL-3 according to DIN 8989 (VDI 2566)
- Top plate fitted with 2 mm Sylomer<sup>®</sup> anti-slip plate
- 10 mm galvanised steel plate for pressure distribution
- 60 mm thick, heavy settling mass
- M12 internal thread for easy screw-fixing
- Quick and easy to install

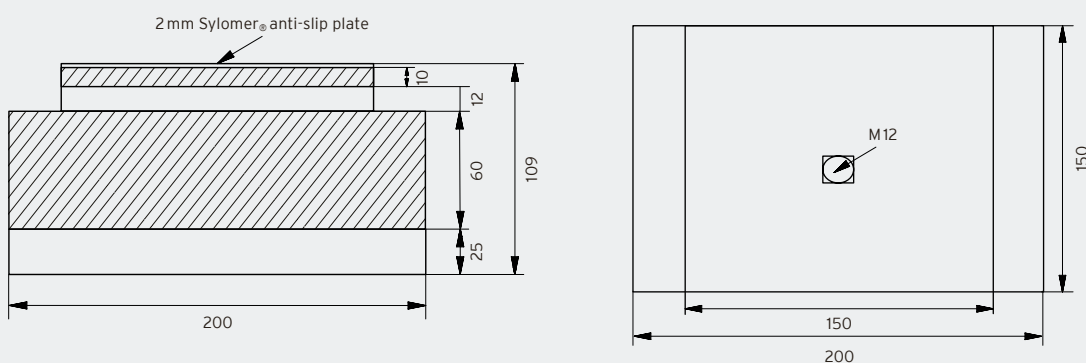
		Maximum load		Natural frequency at maximum load	Packaging unit	Order number
		in kg	in N			
 SE-DE	Isotop <sup>®</sup> SE-DE 10	105	1,030	6.6Hz	4 pcs.	<b>42387</b>
	Isotop <sup>®</sup> SE-DE 13	142	1,393	7.0Hz	4 pcs.	<b>39684</b>
	Isotop <sup>®</sup> SE-DE 30	285	2,795	7.0Hz	4 pcs.	<b>39685</b>
	Isotop <sup>®</sup> SE-DE 50	550	5,395	6.6Hz	4 pcs.	<b>39686</b>
 SE-DE Elevator	Isotop <sup>®</sup> SE-DE Elevator 50	620	6,082	9.5Hz	20 pcs.	<b>39692</b>
	Isotop <sup>®</sup> SE-DE Elevator 100	1,250	12,262	9.5Hz	4 pcs.	<b>39693</b>
	Isotop <sup>®</sup> SE-DE Elevator 170	2,190	21,483	9.5Hz	4 pcs.	<b>39694</b>
	Isotop <sup>®</sup> SE-DE Elevator 280	3,480	34,138	8.8Hz	4 pcs.	<b>39695</b>

SE-DE and SE-DE Elevator no stock items. Delivery time on request (approx. 15 working days from the factory)

### Isotop<sup>®</sup> SE-DE with anti-slip plate (unladen)



### Isotop<sup>®</sup> SE-DE Elevator with anti-slip plate (unladen)



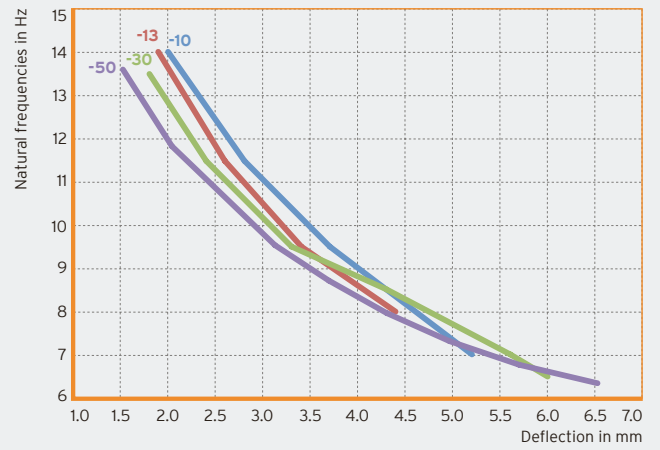
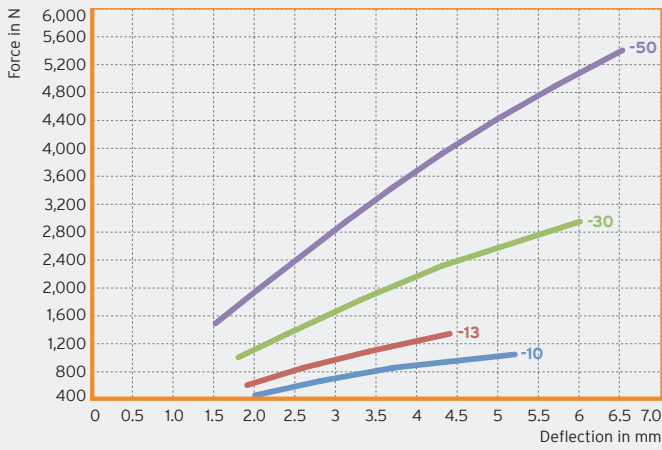


Bearing of a lift system with overhead cable guide

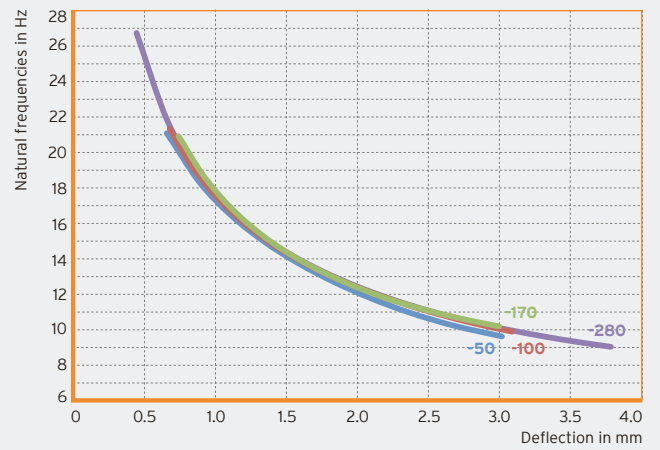
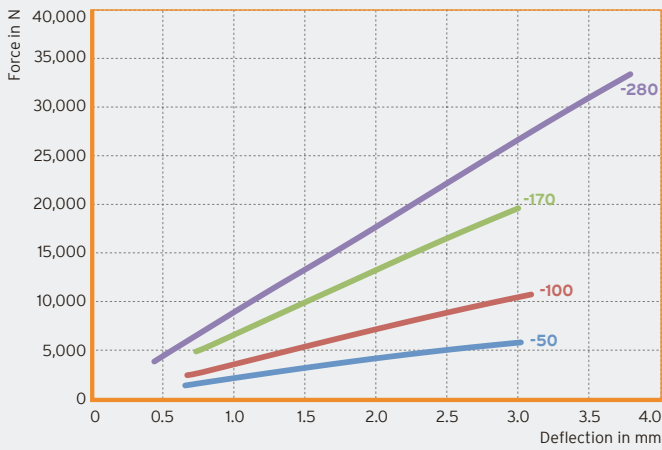


Chiller indoor unit

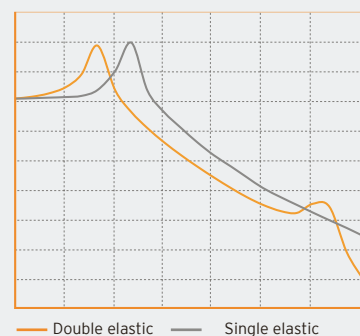
**Isotop® SE-DE**



**Isotop® SE-DE Elevator**



**Double elastic element vs. single elastic element**



© 2020 Getzner, Merkschrift 0521001. All information and data is based on our current knowledge. The data can be applied for calculations and as guidelines, are subject to typical manufacturing tolerances and are not guaranteed. Material properties can vary depending on type of application or use and are available from Getzner on request. Further information can be found in VDI 2262 (Association of German Engineers) as well as in glossary. Further characteristic values on request.