

Elastic Washers Data Sheet

Area of application

Elastic washers EW are used to decouple structure-borne noise bridges that arise from screw connections. The polyurethane material Sylodyn® effectively isolates vibrations and retains its material properties over its entire service life. As well as decoupling vibrations, the washers are also electrically non-conductive and resistant to common oils and greases.

Design

As well as the simple design, the washers are also available with a centring aid (groove), to facilitate easier installation and to guarantee the exact positioning of the screw with the hole. The dimensions are adapted to screw sizes M8, M10, M12 and M16 and are available in different bearing thicknesses for different efficiencies of insulation. Max. torque strength on request.

Advantages

- Effective vibration isolation and vibration decoupling
- Material properties remain constant over the long term
- No brittleness (free from softeners)
- Range for different screw sizes

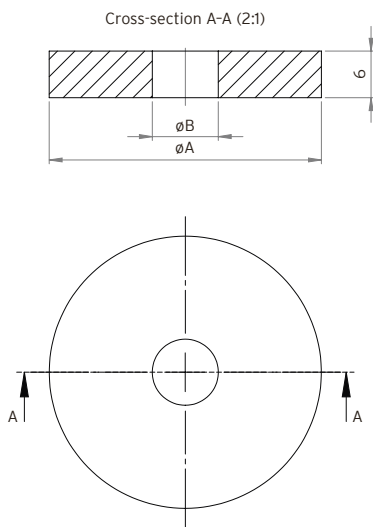


Elastic washers with and without centring aid (groove)

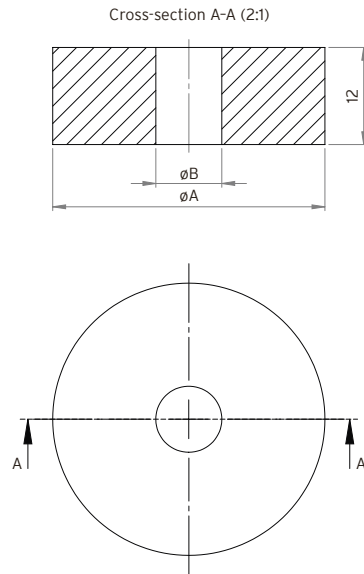
- Variants with centring aid
- Flammability in accordance with DIN EN 13501-1
- Surface protection
- Electrically non-conductive
- Resistant to oils and greases
- Thermally insulating

Illustration	Article	Thickness	Screw size	ØA	ØB
	EW M8-6	6 mm	M8	35 mm	9 mm
	EW M10-6	6 mm	M10	40 mm	11 mm
	EW M12-6	6 mm	M12	50 mm	13 mm
	EW M16-6	6 mm	M16	55 mm	17 mm
	EW M8-8	8 mm	M8	28 mm	9 mm
	EW M10-8	8 mm	M10	34 mm	11 mm
	EW M12-8	8 mm	M12	44 mm	13 mm
	EW M16-8	8 mm	M16	56 mm	17 mm
	EW M8-12	12 mm	M8	35 mm	9 mm
	EW M10-12	12 mm	M10	40 mm	11 mm
	EW M12-12	12 mm	M12	50 mm	13 mm
	EW M16-12	12 mm	M16	55 mm	17 mm
	EW M8-21	21 mm	M8	28 mm	9 mm
	EW M10-21	21 mm	M10	34 mm	11 mm
	EW M12-21	21 mm	M12	44 mm	13 mm
	EW M16-21	21 mm	M16	56 mm	17 mm
	EW M20-21	21 mm	M20	60 mm	21 mm
	EW M27-21	21 mm	M24, M27	70 mm	28 mm

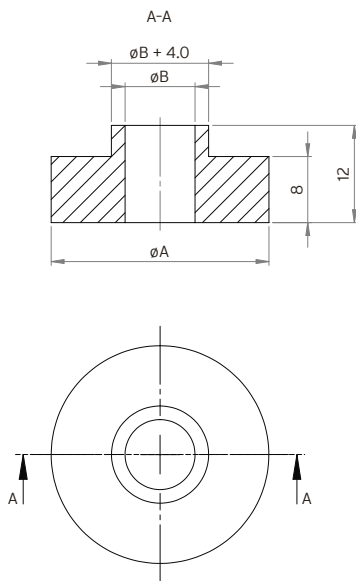
Type EW XX-6



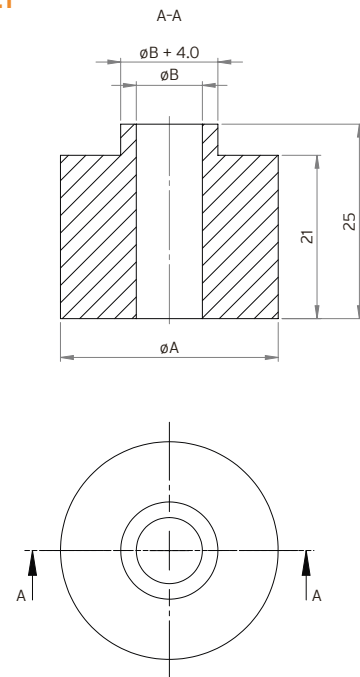
Type EW XX-12



Type EW XX-8



Type EW XX-21



All information and data is based on our current knowledge. The data can be applied for calculations and as guidelines, are subject to typical manufacturing tolerances and are not guaranteed. Material properties as well as their tolerances can vary depending on type of application or use and are available from Getzner on request.

Further information can be found in VDI Guideline 2062 (Association of German Engineers) as well as in glossary. Further characteristic values on request.