

Isotop® DZE Mini

Multi-part element stainless steel
up to 260 kg

by getzner
isotop®

Design

Isotop® DZE Mini is a compact element consisting of stainless steel and two different insulation materials: Sylodyn® and Sylodamp®. Combined they are resilient to pressure and tensile loading. Due to the spring/damper combination the transmission of vibration can be isolated precisely and effectively and strong amplitudes will be debilitated. The continuous steel axis with its welded-on baseplate endures strong horizontal forces as well as massive negative impulses like e.g. windloads.

Field of application

Isotop® DZE Mini elements can be adjusted individually down to a natural frequency of approx. 11Hz depending on the load.

Various applications, for example elastic isolation of:

- Compressors
- Pumps
- Compact A/C Unit
- Mobile applications
- On-roof Installation

Required data for selection

- Total weight to be absorbed
- Number and location of points of support
- Centre of gravity
- Structural shape of the device
- Direction of load
- Lowest disturbing frequency
(rotational speed or number of strokes)



Isotop® DZE Mini

Advantages

- Different combinations of spring/damper elements depending on the load of the device allow ideal frequency tuning.
- Premounted elements ensure fast assemblage
- Demolition-proof - especially advisable for narrow and tall devices or mobile applications
- Long durability
- Low resonant frequency
- Low construction height

Our service

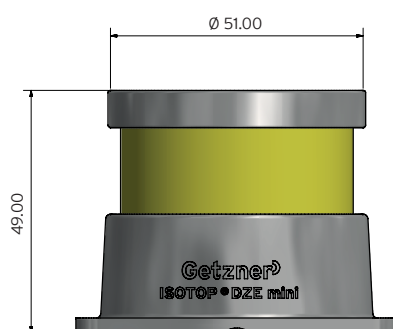
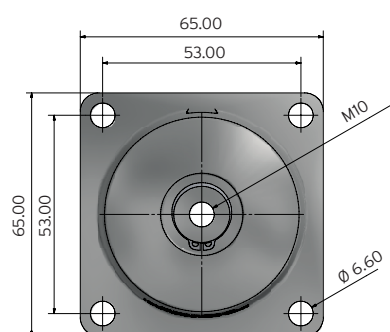
Make use of our know-how on questions about vibration technology. We will gladly consult you and will calculate tailor-made solutions for vibration isolation.

Selection table

DESCRIPTION	REF. NO.	MAX. LOAD IN KG	DEFLECTION IN MM	NATURAL FREQUENCY ON MAX. LOAD IN HZ
Single-layer				
DZE Mini NB SP 1	52000050	10	2.5	11.3
DZE Mini NC SP 1	52000051	20	2.5	11.7
DZE Mini ND SP 3	52000052	40	2.5	11.2
DZE Mini NE SP 3	52000053	72	2.5	11.3
DZE Mini NF SP 3	52000054	125	2.5	11.9
DZE Mini HRB 3 SP 3	52000055	260	2.5	12.6

Defined breaking loads in horizontal direction

DESCRIPTION	MAX. FORCE (S=2)	BREAKAGE AT MAX. FORCE (DEPENDING ON TYPE OF MATERIAL)
Isotop® DZE	5 kN	16 kN
Isotop® DZE 2	2 kN	9 kN
Isotop® DZE Mini	2 kN	7 – 11 kN



All data indicated are based upon our current knowledge. They may be used as calculation and standard values and are subject to the usual machining tolerances. Subject to change and correction.