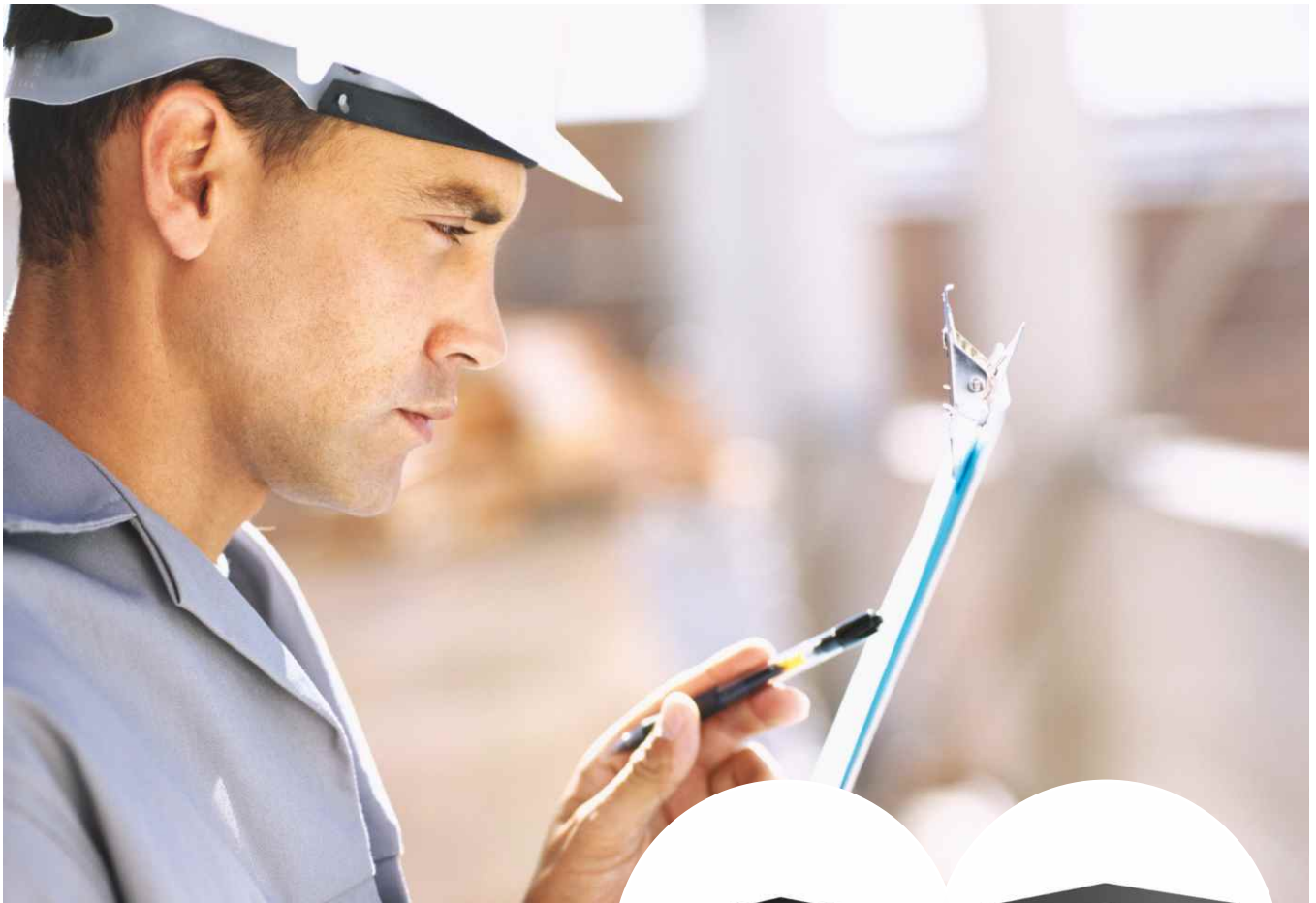


Installation instructions

Isotop SE pro and Isotop SE light



1. Storage

As a general rule, the products must be stored in a clean and dry place.

2. Storage conditions

The storage conditions should reflect the prevailing humidity levels and ambient temperature at the installation site where possible.

3. Cleaning

The foundation must be clean, dry and free from oil, grease and other contaminants.

4. Foundation

The surface of the foundation must not have any pointed or sharp edges. The permitted roughness depends on the thickness of the isolating layer (Fig.1). Turnouts or flat transitions do not pose a problem.

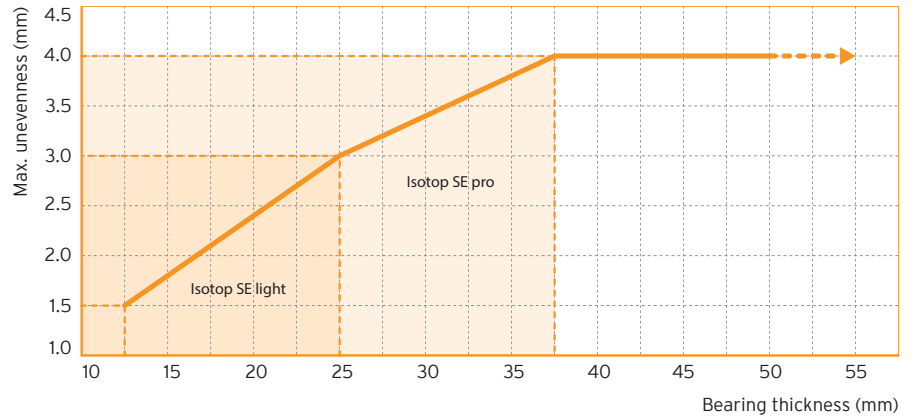
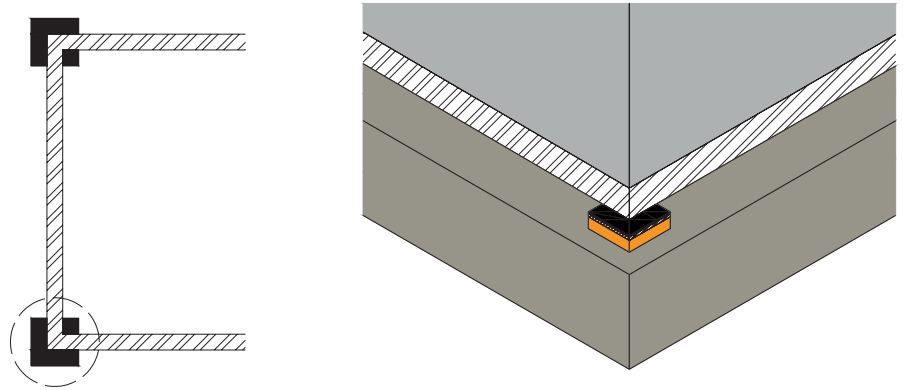


Fig.1: The maximum unevenness for Isotop SE light is 3 mm and 4 mm for Isotop SE pro

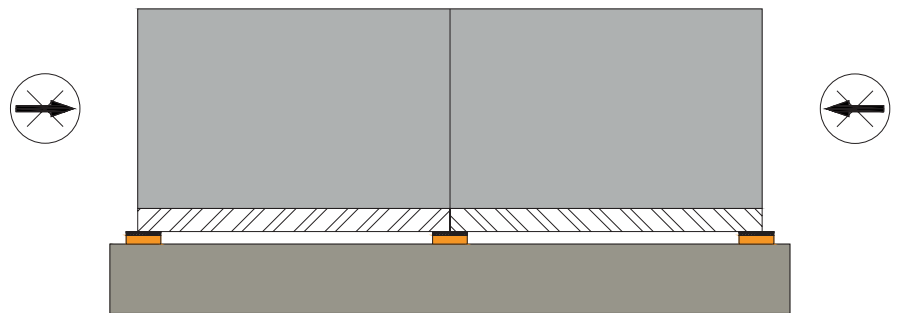
5. Positioning

- The elements must be positioned in the centre under the force-transmitting points of the base frame.
- They must be lying entirely on the foundation.



6. Mounting

- During installation, the elements must be distributed according to the specifications that were used for the design.
- The elements must be installed tension-free.
- Isotop SE pro is optionally available with a base plate that enables a screw connection to the foundation.



Optionally available with a pre-mounted base plate:

