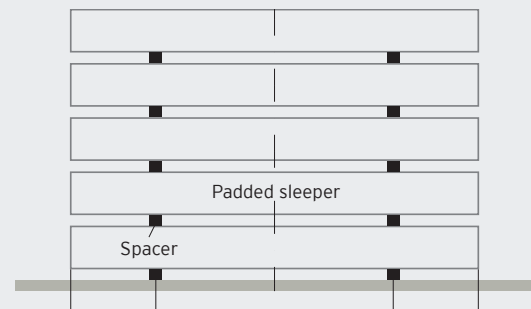


# Installation Guideline

## Under Sleeper Pads for Steel Sleepers

### 1. Transport and Storage

- Always transport in original packaging
- Damaged packaging shall be immediately repaired (using plastic foil and adhesive tape)
- Storage should be in a dry environment in original packaging
- Protection from direct sunlight is preferred
- Once the original packaging is removed, Under Sleeper Pads (USPs) must be kept dry
- Temperatures below  $-20\text{ }^{\circ}\text{C}$  and above  $+50\text{ }^{\circ}\text{C}$  should be avoided
- Do not stack pallets and parcels
- Under Sleeper Pads are subject to normal thermal expansion/shrinking. This physical effect is completely reversible
- Storage conditions (and temperature) should match installation conditions; in case of big temperature differences between storage and production area, it's recommended to condition/temper Under Sleeper Pads for at least 24 h
- Usually padded steel sleepers are stacked on top of each other and stored outside.
- The maximum number of sleepers with a weight of 300 kg per sleeper to be stacked: 10 (width of the spacer min. 100mm, see illustration on the right)
- Attention has to be paid during transportation to avoid mechanical damage



### 2. Adhesive Bonding of USPs

For installation on steel sleepers, the under sleeper pads are delivered without a connection layer (flock or mesh), in order to enable adhesive bonding.

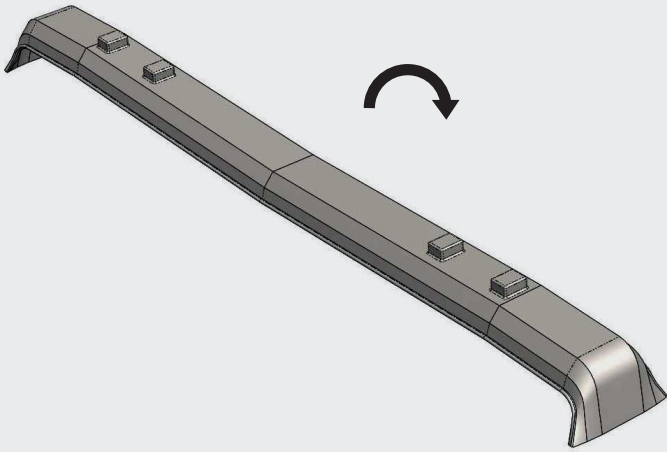
#### 2. Adhesive

The adhesive is provided with the pads by Getzner Werkstoffe and is solvent-free. The safety data sheet and instructions for use have to be taken into account.



# Installation Guideline

## Under Sleeper Pads for Steel Sleepers



### 2.2 Steel Sleeper

The sleeper surface to be bonded has to be dry and clean (grease-free), flat and smooth (the rougher the more adhesive is required). The surface should not have cavities. Please also consider the instructions for use of the adhesive.

Lay the sleeper upside down



### 2.3 Implementation

Lay the sleeper upside down and clean the surface if necessary. Prepare the adhesive as described in the instructions for use provided by the adhesive manufacturer. Please mind temperature and pot life.

Apply the glue on the under sleeper pads

# Installation Guideline

## Under Sleeper Pads for Steel Sleepers



The prepared adhesive is applied on the Under Sleeper Pads. If the pad is divided in parts, the joints also have to be bonded. The required amount of adhesive is given by the roughness of the sleeper surface. Normally 0.5 to 2 kg adhesive is used per sleeper.

**Place the sleeper pad on the steel sleeper**



The Under Sleeper Pads are placed centrally on the sleeper. During curing time the pad should be evenly loaded with at least 50 kg. After bonding there should not be any cavities, which are not filled with adhesive. The adhesive layer should be as even as possible (not more than 5 mm thickness difference), in order to avoid any influence on the system stiffness.

**Load the surface evenly with at least 50 kg**

# Installation Guideline

## Under Sleeper Pads for Steel Sleepers



### 3. Recycling

Unused Under Sleeper Pads or pieces thereof can be recycled in standard waste containers.

At the end of the lifetime of the padded steel sleeper the Getzner Under Sleeper Pads can be removed from the sleeper mechanically and recycled thermally. All our materials are non-hazardous to the environment.

### 4. Disclaimer

This guideline only serves to support the customer or his authorised specialist in the installation of Getzner USPs. Getzner Werkstoffe draws the attention to known design errors and problems. This guideline was compiled with the utmost care based on Getzner's current knowledge.

Getzner Werkstoffe assumes no warranty or liability for the accuracy, completeness, topicality or quality of this guideline. The customer is not entitled to any claims whatsoever arising from the use of this guideline. In particular, Getzner Werkstoffe is not responsible for the proper installation of Getzner USPs and the resulting negative effects on the condition / quality of Getzner USPs or its performance. This guideline is merely intended as a strict recommendation and it is recommended that the installation is carried out by a specialist.

All other rights are reserved. In particular, all texts, photos, graphics, etc. are subject to copyright and are intended for business use solely. Additionally, sharing with unauthorised third parties is expressly prohibited.