

g-fit Gear T300 Data Sheet



Range of use Acoustic decoupling of treadmills

Material Sylomer® Material combination



Reduction of structure-borne noise up to 11 dB

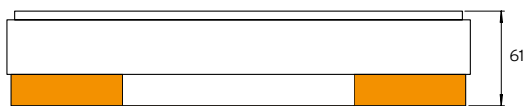
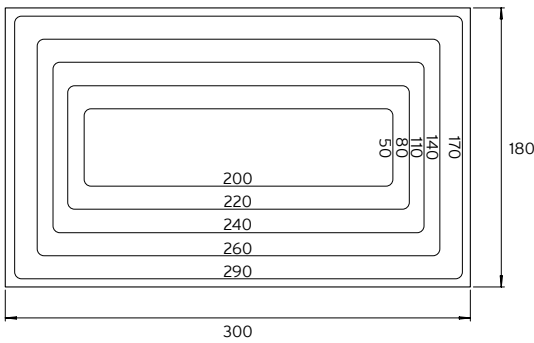
Advantages and benefits

- Proven reduction of structure-borne noise
- Easy to install - including retrospectively
- Modular set-up, adaptable to each machine
- Patented, unique and multifunctional insulating layer
- Low additional height
- Odourless
- Chemically resistant against standard floor cleaners
- Ergonomically tested
- Maintenance-free and resistant to ageing (no material fatigue)

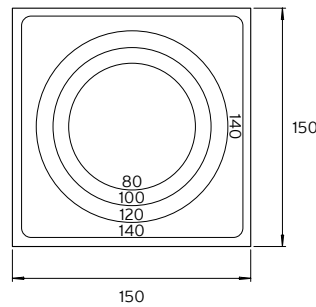
Systemeigenschaften		Anmerkung
Thickness	61mm	unloaded
Dynamic deflection	approx. 5 mm	depending on weight of treadmill
Load range	up to 500 kg	individual adaptation upon request
Natural frequency	22 Hz	
Coefficient of friction	0.5	dry, static friction
Temperature range	-30°C to 70°C	
Evaluated structure-borne noise reduction ΔL_w	up to 11 dB	insertion loss at 50 Hz, depending of the floor and type of material

Dimensions

Front Pad



Rear Pad



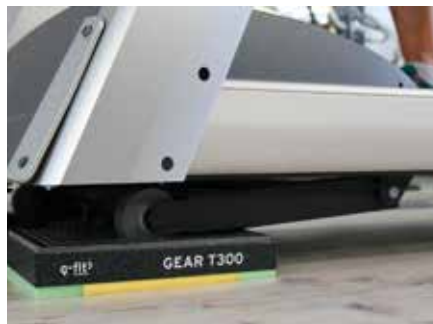
Standard packaging

Set of 4 pads: 2 Front Pads 300×180 mm, 2 Rear Pads 150×150 mm.

Detachable bar connections (4 pcs.) allow the inlay to be adapted to the required diameter.

Installation instruction

The floor covering must be free of dust and dirt. Set the treadmill to an angle of 0°. Position the rollers of the treadmill at the front edge of the Gear T300 Front treadmill pad inlay. Insert the Rear Pads into the corresponding inlay at a position of 0° under the rear feet.



All information and data is based on our current knowledge. It can be used in calculations and for reference purposes, but is subject to typical manufacturing tolerances and does not represent warranted properties. Subject to change without notice.