

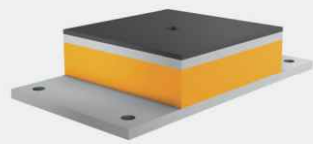
Isotop SE pro

Sandwich element with high-end vibration isolation

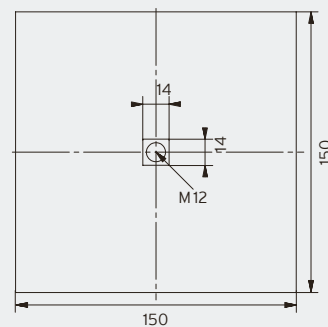
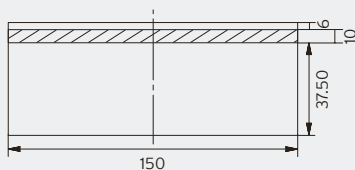
- Natural frequency from 7.9Hz
- Top plate fitted with 6 mm Sylomer[®] anti-slip plate
- 10 mm hot dip galvanised steller plate for pressure distribution
- Insulating layer made from 37.5 mm Sylomer[®] or Sylodyn[®]
- M 12 internal thread for easy screw-fixing
- Suitable for different frame widths
- Quick and easy to install

		Maximum load		Natural frequency at maximum load	Packaging unit	Order number
		in kg	in N			
 SE pro	Isotop SE pro 9-1	Single layer	90	883	9.6 Hz	12 pcs. 46520
	Isotop SE pro 14-1	Single layer	148	1,452	8.5 Hz	12 pcs. 46522
	Isotop SE pro 28-1	Single layer	285	2,796	7.9 Hz	12 pcs. 46523
	Isotop SE pro 67-1	Single layer	670	6,573	7.9 Hz	12 pcs. 46524
	Isotop SE pro 133-1	Single layer	1,330	13,048	8.2 Hz	12 pcs. 46525
	Isotop SE pro 225-1	Single layer	2,250	22,073	8.1 Hz	12 pcs. 46526

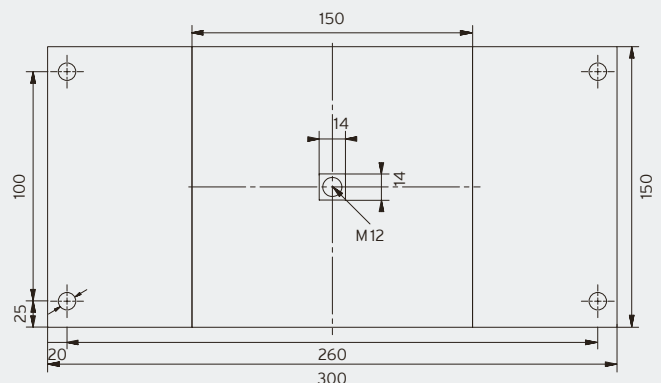
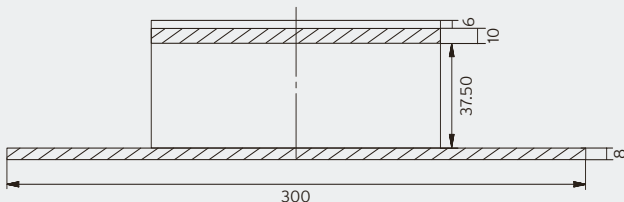
Premounted footplate available on request



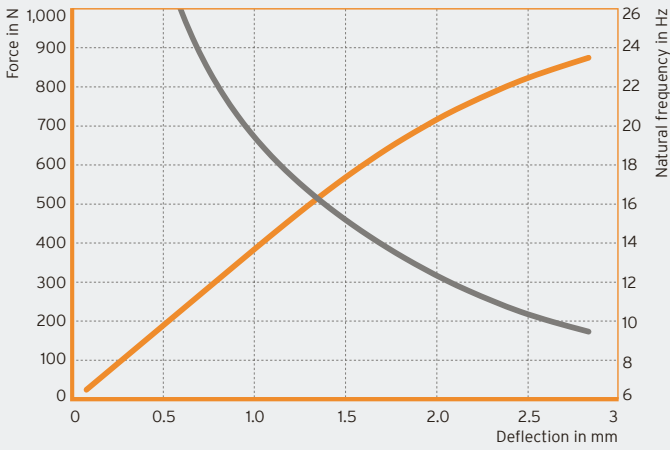
Isotop SE pro (unladen)



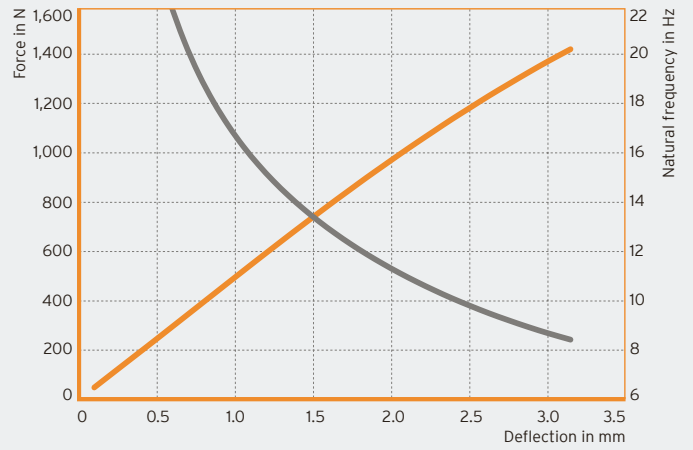
Isotop SE pro with footplate (unladen)



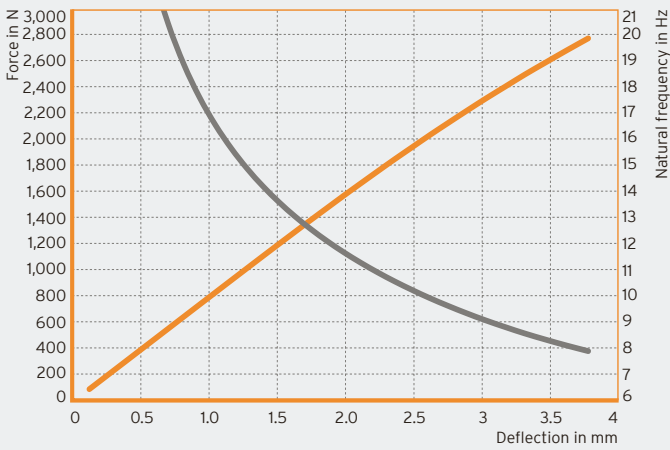
Isotop SE pro 9-1



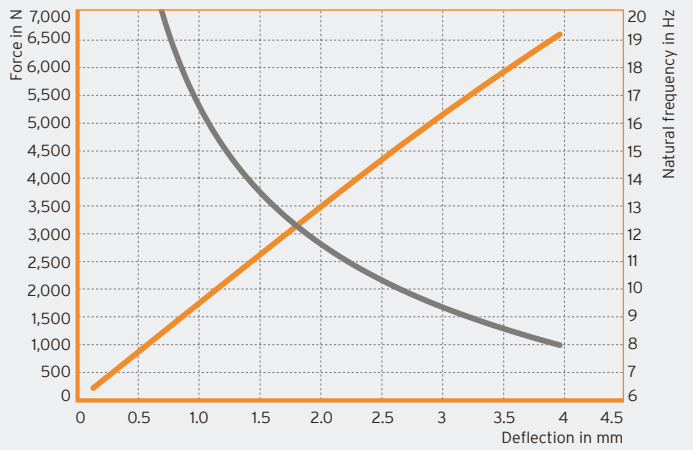
Isotop SE pro 14-1



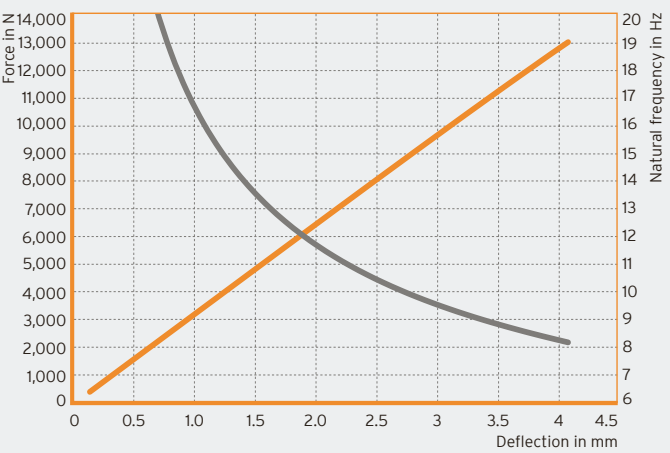
Isotop SE pro 28-1



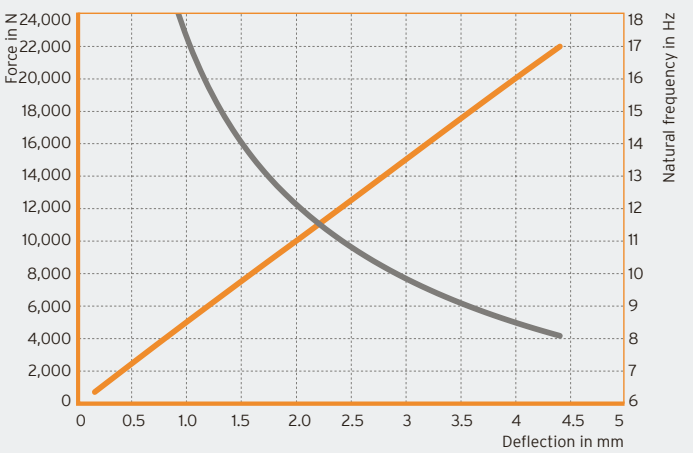
Isotop SE pro 67-1



Isotop SE pro 133-1



Isotop SE pro 225-1



Force in N

Natural frequency in Hz

AUSTRIA – Birs GERMANY – Berlin – Munich – Stuttgart FRANCE – Paris – Lyon JAPAN – Tokyo INDIA – Pune
 JORDAN – Amman CHINA – Beijing USA – Charlotte AUSTRALIA – Melbourne

www.getzner.com

getzner
 engineering a quiet future

DB Isotop® en © Copyright by Getzner Werkstoffe GmbH 04-2021. All information and data is based on our current knowledge. The data can be applied for calculations and as guidelines, are subject to typical manufacturing tolerances and are not guaranteed. Material properties as well as their tolerances can vary depending on type of application or use and are available from Getzner on request. Further information can be found in VDI Guideline 2062 (Association of German Engineers) as well as in glossary. Further characteristic values on request.