



# Isotop® Transformer Pad TR

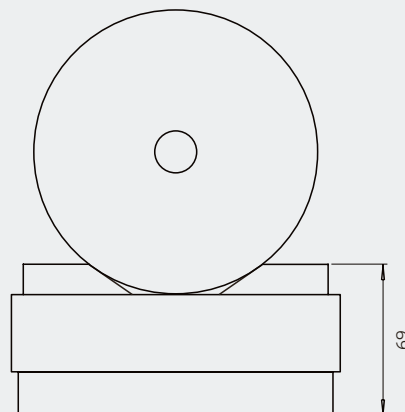
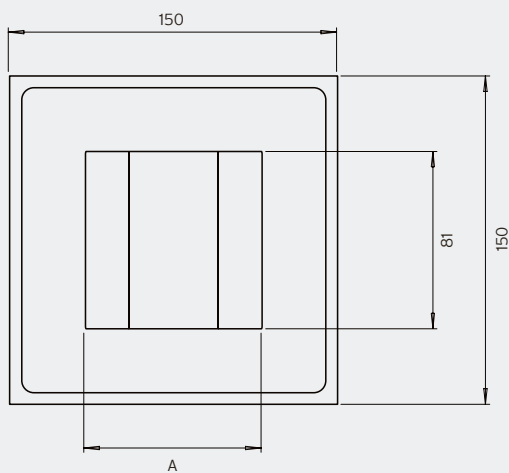
High-performance pads for transformers with wheels

- Natural frequencies from 8.5 Hz
- SyloDYN® inside
- Load capacities for transformers weighing up to 10 t
- Available with reel width of 40 - 70 mm and reel diameter of up to 200 mm

		Reel diameter	Max. load per set		Natural frequency at maximum load	Packaging unit	Order number
			in kg	in N			
<b>Transformer Pad TR</b>	TR-400/150-100	up to 100 mm	400	3,925	11.3 Hz	1 set (= 4 pcs.)	<b>43099</b>
	TR-1000/150-100	up to 100 mm	1,000	9,810	9.5 Hz	1 set (= 4 pcs.)	<b>43100</b>
	TR-2500/150-100	up to 100 mm	2,500	24,525	9.9 Hz	1 set (= 4 pcs.)	<b>43101</b>
	TR-5000/150-100	up to 100 mm	5,000	49,050	9.7 Hz	1 set (= 4 pcs.)	<b>43102</b>
	TR-10000/150-100	up to 100 mm	10,000	98,100	8.5 Hz	1 set (= 4 pcs.)	<b>43103</b>
	TR-400/150-150	101 - 150 mm	400	3,925	11.3 Hz	1 set (= 4 pcs.)	<b>43202</b>
	TR-1000/150-150	101 - 150 mm	1,000	9,810	9.5 Hz	1 set (= 4 pcs.)	<b>43204</b>
	TR-2500/150-150	101 - 150 mm	2,500	24,525	9.9 Hz	1 set (= 4 pcs.)	<b>43206</b>
	TR-5000/150-150	101 - 150 mm	5,000	49,050	9.7 Hz	1 set (= 4 pcs.)	<b>43208</b>
	TR-10000/150-150	101 - 150 mm	10,000	98,100	8.5 Hz	1 set (= 4 pcs.)	<b>43210</b>
	TR-400/150-200	151 - 200 mm	400	3,925	11.3 Hz	1 set (= 4 pcs.)	<b>43203</b>
	TR-1000/150-200	151 - 200 mm	1,000	9,810	9.5 Hz	1 set (= 4 pcs.)	<b>43205</b>
	TR-2500/150-200	151 - 200 mm	2,500	24,525	9.9 Hz	1 set (= 4 pcs.)	<b>43207</b>
	TR-5000/150-200	151 - 200 mm	5,000	49,050	9.7 Hz	1 set (= 4 pcs.)	<b>43209</b>
	TR-10000/150-200	151 - 200 mm	10,000	98,100	8.5 Hz	1 set (= 4 pcs.)	<b>43211</b>

Not held in stock. Delivery time on request (approx. 15 working days from the factory)

## Isotop® Transformer Pad TR (unladen)



**Dimension inlay [A]:**  
 TR-xxx-100 A = 81 mm  
 TR-xxx-150 A = 105 mm  
 TR-xxx-200 A = 119 mm



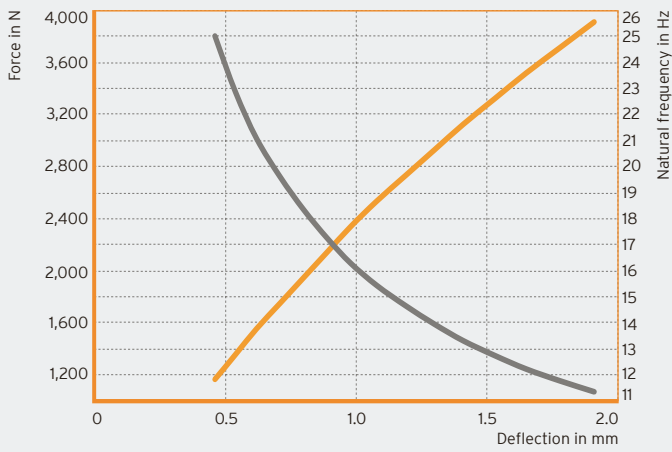
Isotop® TR



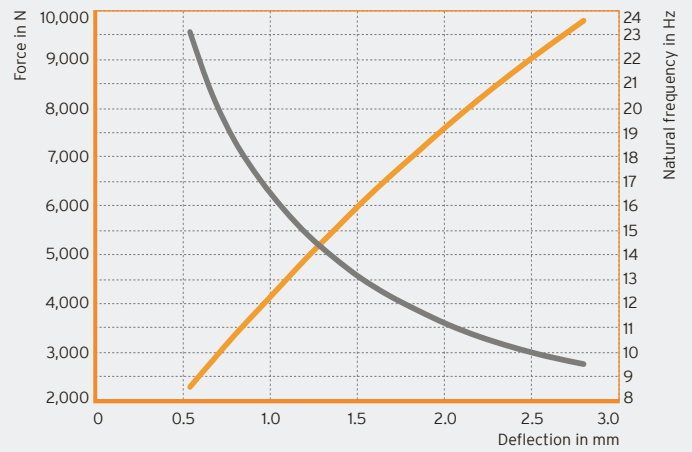
Vibration decoupled bearing of a distribution transformer



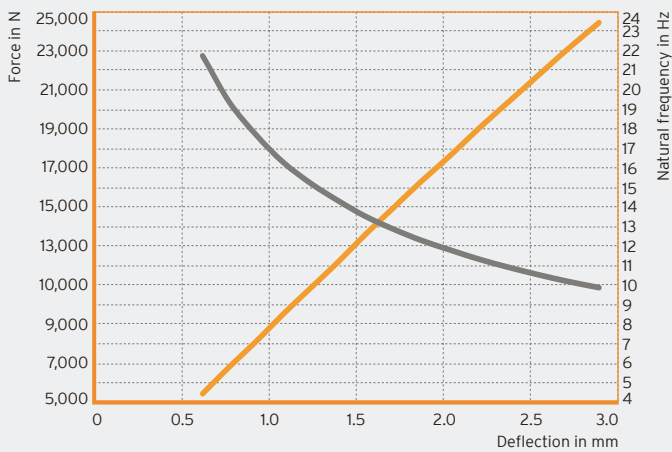
**TR-400**



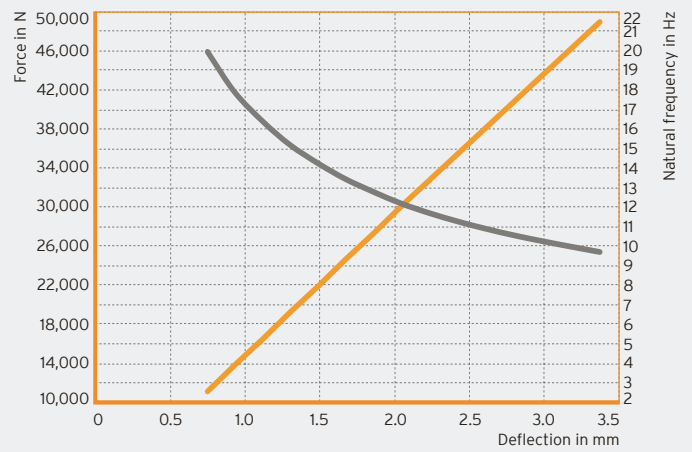
**TR-1000**



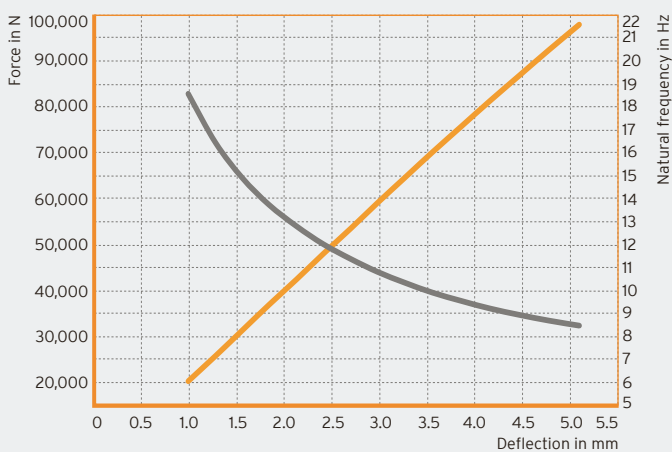
**TR-2500**



**TR-5000**



**TR-10000**



— Force in N  
— Natural frequency in Hz

DB Isotop® en © Copyright by Getzner Werkstoffe GmbH | 05-2020 | All information and data is based on our current knowledge. The data can be applied for calculations and as guidelines, are subject to typical manufacturing tolerances and are not guaranteed. Material properties as well as their tolerances can vary depending on type of application or use and are available from Getzner on request. Further information can be found in VDI Guideline 2062 (Association of German Engineers) as well as in glossary. Further characteristic values on request.