



# Isotop DMSN-BL

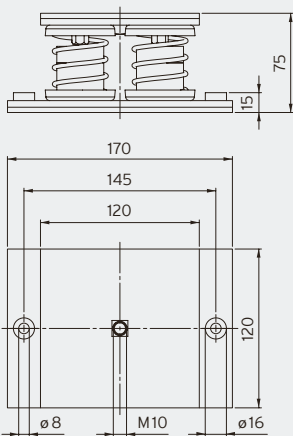
DMSN steel spring block element with high-performance damper for low installation heights and high loads

- Natural frequency from 5.3 Hz
- Low overall height of 75 mm
- High load capacity of up to 1,590 kg per element
- Sylodamp<sup>®</sup> inside - ideal for machines with several start-stop cycles
- 5 mm top plate and base plate fitted with 4 mm Sylomer<sup>®</sup> anti-slip plate
- CDC coating of springs and powder coating of pressure plates for outstanding corrosion protection
- Secure connection between the plate and the spring thanks to special adhesive
- Top plate with M10 thread
- Simple load control thanks to open design

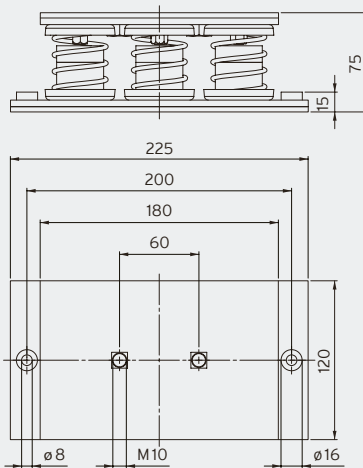
DMSN-BL	Maximum load		Natural frequency at maximum load	Packaging unit	Order number
	in kg	in N			
Isotop DMSN-BL4-62/72	215	2,109	6.6 Hz	4 pcs.	<b>47239</b>
Isotop DMSN-BL4-70/84	395	3,875	5.3 Hz	4 pcs.	<b>47240</b>
Isotop DMSN-BL6-72/84	520	5,101	5.5 Hz	50 pcs.	<b>OR</b>
Isotop DMSN-BL9-74/85	750	7,358	5.6 Hz	50 pcs.	<b>OR</b>
Isotop DMSN-BL9-70/89	895	8,780	5.3 Hz	50 pcs.	<b>OR</b>
Isotop DMSN-BL16-712/804	1,150	11,282	5.9 Hz	50 pcs.	<b>OR</b>
Isotop DMSN-BL16-700/816	1,590	15,598	5.3 Hz	50 pcs.	<b>OR</b>

Not held in stock. Delivery time on request (approx. 15 working days from the factory).  
OR ... On request

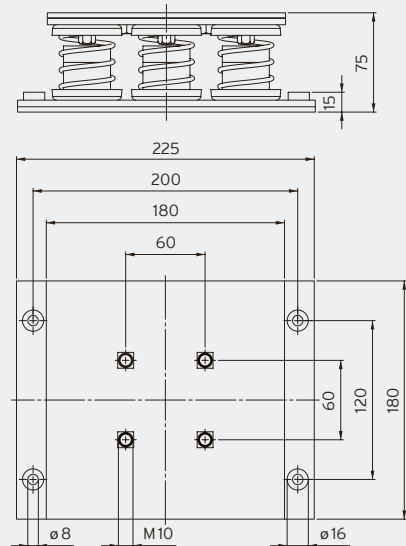
Isotop DMSN-BL 4 (unloaded)



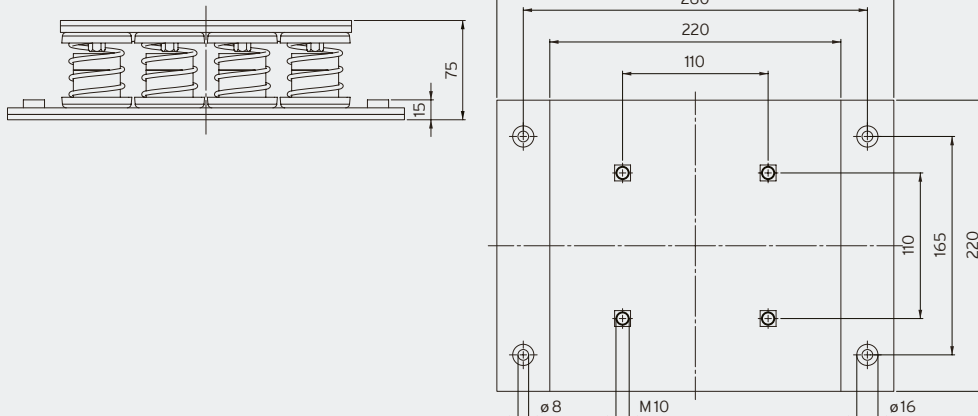
Isotop DMSN-BL 6 (unloaded)



Isotop DMSN-BL 9 (unloaded)



Isotop DMSN-BL 16 (unloaded)



Customised block elements available on request

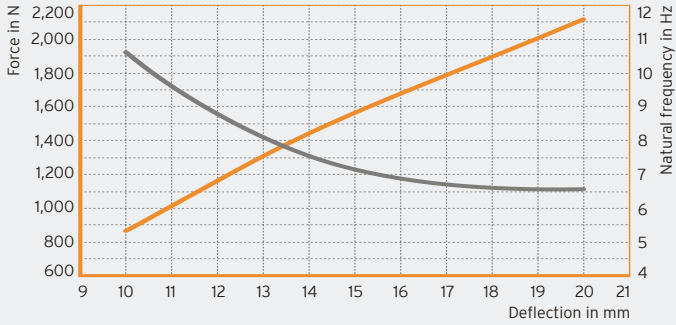


Base of a textile machine on Isotop DM-SN-BL (special version)

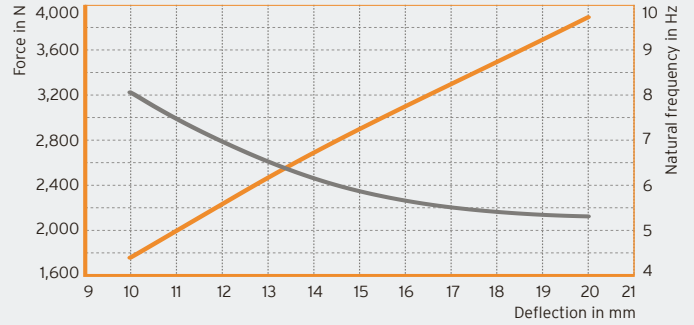


Small combined heat and power plant on Isotop DMSN-BL (special version)

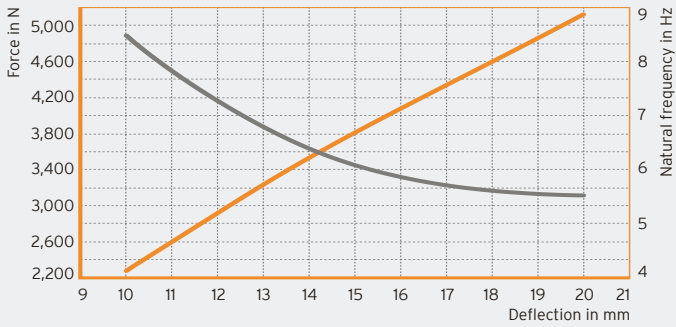
**Isotop DMSN-BL4-62/72**



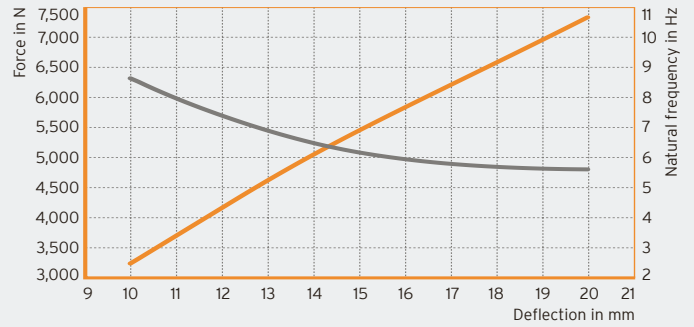
**Isotop DMSN-BL4-70/84**



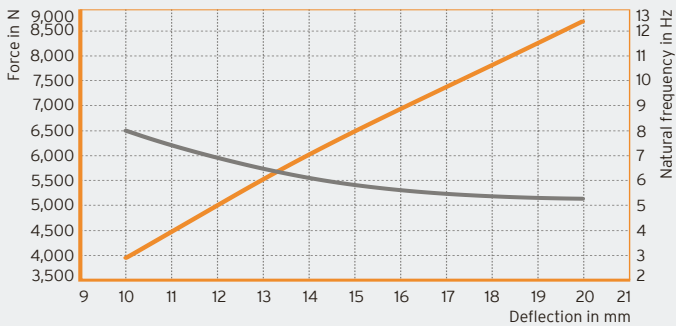
**Isotop DMSN-BL6-72/84**



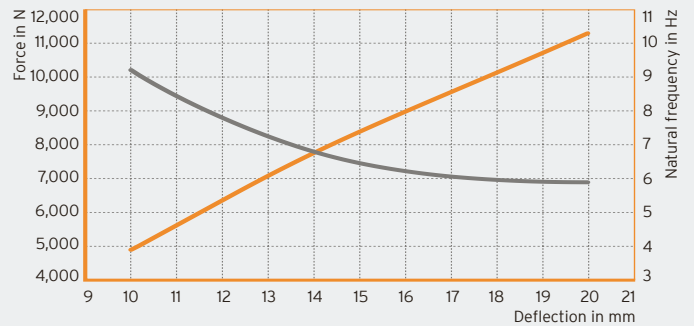
**Isotop DMSN-BL9-74/85**



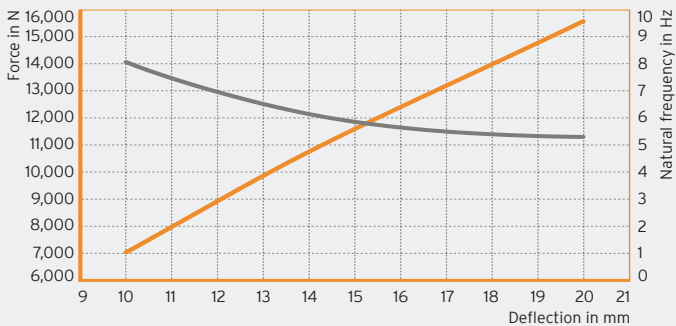
**Isotop DMSN-BL9-70/89**



**Isotop DMSN-BL16-712/804**



**Isotop DMSN-BL16-700/816**



— Force in N  
— Natural frequency in Hz

DB Isotop en © Copyright by Getzner Werkstoffe GmbH | 09-2022 | All information and data is based on our current knowledge. It can be used in calculations and for reference purposes, but is subject to product-specific and application-specific manufacturing tolerances and does not represent warranted properties. Material properties and their tolerances vary depending on the type of application and load and are available from Getzner on request. Subject to change without notice. For further general information, see VDI directive 2062 and glossary. Further characteristic values available on request.