




Sylomer® Compressor Grommet CGR

Compressor grommets made from high-performance dampers

- Load capacity of up to 20 kg per compressor base
- Sylomer® inside
- Integrated steel sleeve for secure installation with high starting torque
- Designed for use with M8 screws
- Weather- and UV-resistant
- Extremely effective even at low temperatures

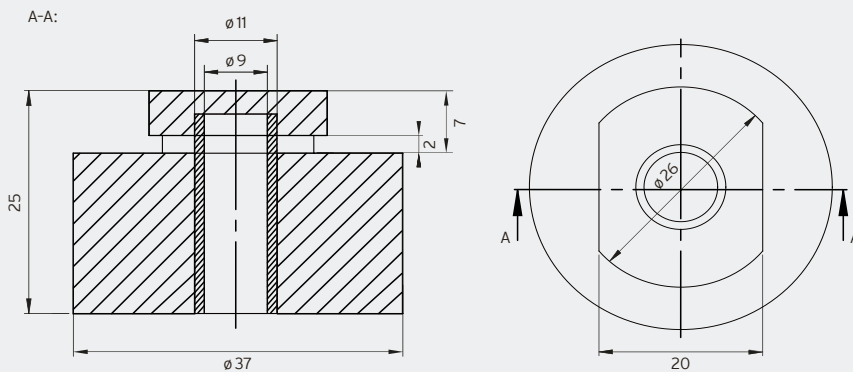
	Type	Dimension	Maximum load		Natural frequency at maximum load	Packaging unit	Order number
			in kg	in N			
 Compressor Grommet CGR	CGR-3-37x25-M8-S	37×25 mm	3	29	33.0 Hz	1 set (= 48 pcs.)	42177
	CGR-6-37x25-M8-S	37×25 mm	6	59	32.0 Hz	1 set (= 48 pcs.)	42178
	CGR-10-37x25-M8-S	37×25 mm	10	98	31.0 Hz	1 set (= 48 pcs.)	41652
	CGR-20-37x25-M8-S	37×25 mm	20	196	27.0 Hz	1 set (= 48 pcs.)	42179

Purchasing quantity = packaging unit or multiple thereof

	Type	Diameter [A]	Height	Hole diameter [B]		Packaging unit	Order number
 Elastic Washer EW	EW-M8-6	35 mm	6 mm	9 mm		1 set (=100 pcs.)	37523
	EW-M10-6	40 mm	6 mm	11 mm		1 set (=100 pcs.)	37524
	EW-M12-6	50 mm	6 mm	13 mm		1 set (=100 pcs.)	37525
	EW-M16-6	55 mm	6 mm	17 mm		1 set (=100 pcs.)	37526
	EW-M8-8	28 mm	8 mm	9 mm		1 set (=100 pcs.)	37511
	EW-M10-8	34 mm	8 mm	11 mm		1 set (=100 pcs.)	37512
	EW-M12-8	44 mm	8 mm	13 mm		1 set (=100 pcs.)	37513
	EW-M16-8	56 mm	8 mm	17 mm		1 set (=100 pcs.)	37514
	EW-M8-12	35 mm	12 mm	9 mm		1 set (=100 pcs.)	37519
	EW-M10-12	40 mm	12 mm	11 mm		1 set (=100 pcs.)	37520
	EW-M12-12	50 mm	12 mm	13 mm		1 set (=100 pcs.)	37521
	EW-M16-12	55 mm	12 mm	17 mm		1 set (=100 pcs.)	37522

Purchasing quantity = packaging unit or multiple thereof

Sylomer® Compressor Grommet CGR (unladen)



Note: Customised geometries available for purchase quantities of more than 5,000 pcs.

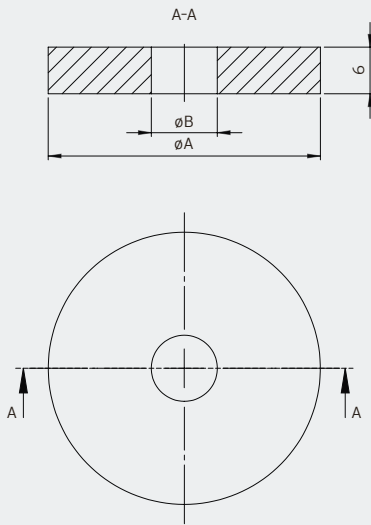


Sylomer® Compressor Grommet CGR

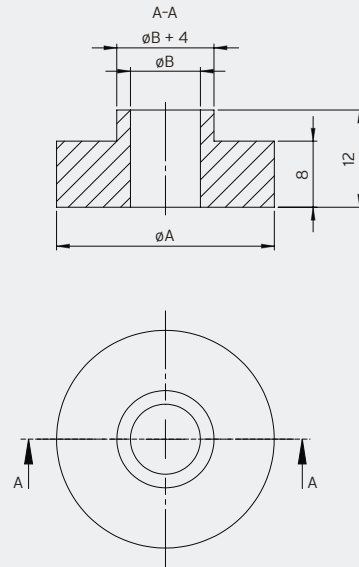


Elastic Washer EW

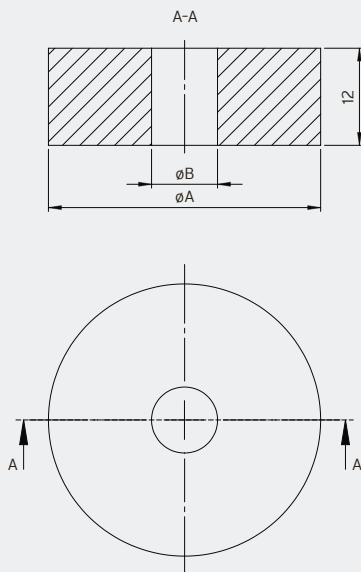
EW Mxx-6 (unladen)



EW Mxx-8 (unladen)



EW Mxx-12 (unladen)



DB Isotop® en © Copyright by Getzner Werkstoffe GmbH | 05-2020 | All information and data is based on our current knowledge. The data can be applied for calculations and as guidelines, are subject to typical manufacturing tolerances and are not guaranteed. Material properties as well as their tolerances can vary depending on type of application or use and are available from Getzner on request. Further information can be found in VDI Guideline 2062 (Association of German Engineers) as well as in glossary. Further characteristic values on request.